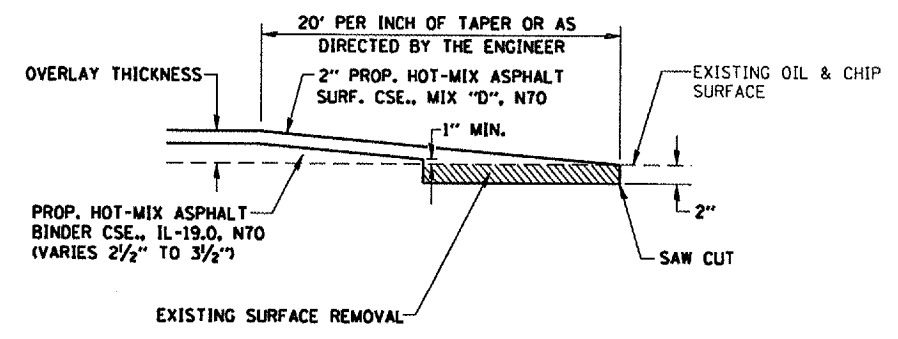
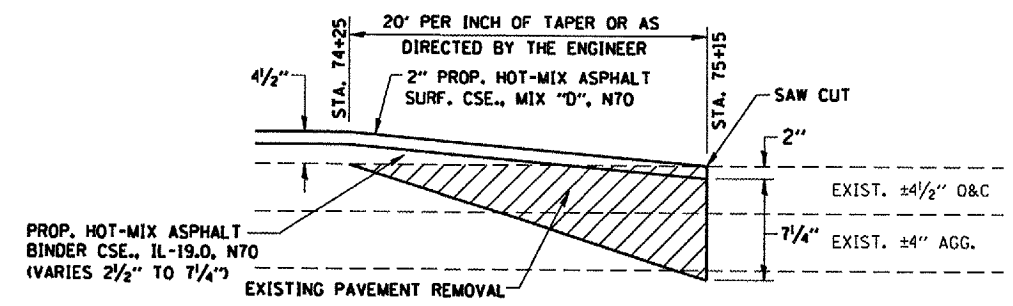


F.A.S. RTE.	SECTION	COUNTY	TOTAL SHEETS	SHEET NO.
418	04-00069-00-RS	HENDERSON	15	12
STA.		TO STA.		
FED. ROAD DIST. NO.	ILLINOIS FED. AID PROJECT		CONTRACT NO. 89366	

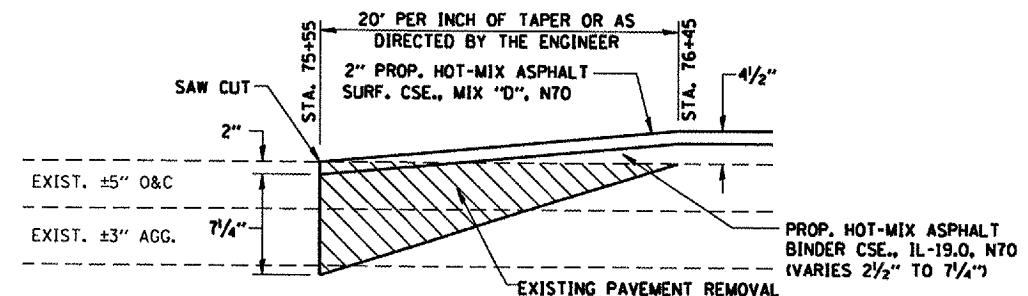


ELEVATION

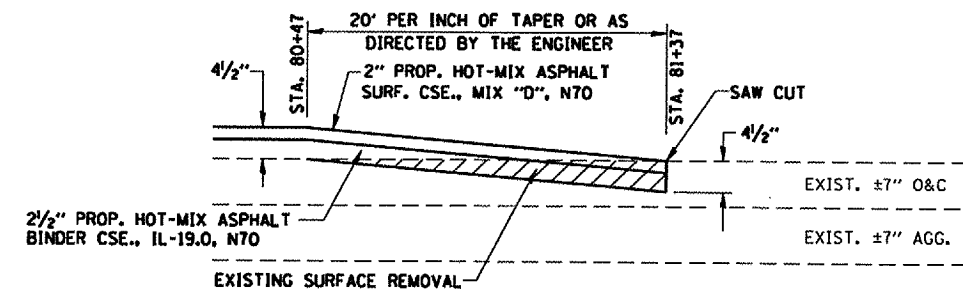
LOCATION	BEGIN	END	OVERLAY THICKNESS
S.R. 1300N (W. LEG) - STA. 26+06	11' LT.	101' LT.	4 1/2"
S.R. 1300N (E. LEG) - STA. 26+06	11' RT.	101' RT.	4 1/2"
S.R. 1500N - STA. 133+29	10' LT.	120' LT.	5 1/2"



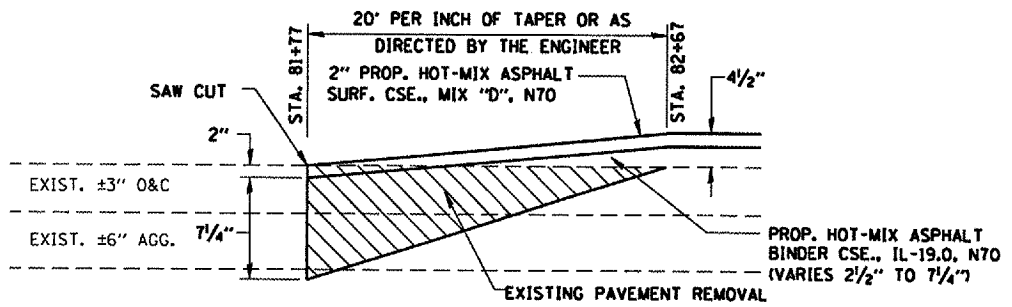
ELEVATION
(S. OF BRIDGE)



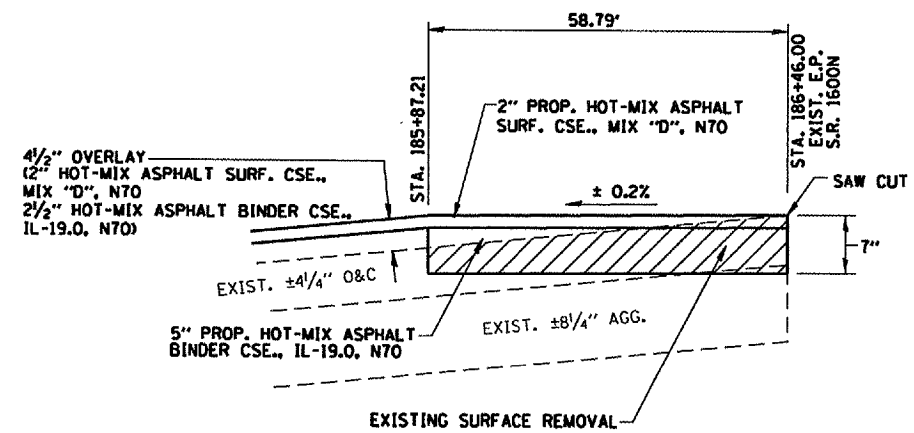
ELEVATION
(N. OF BRIDGE)



ELEVATION
(S. OF R.R. TRACKS)



ELEVATION
(N. OF R.R. TRACKS)



ELEVATION
(S.R. 1600N)

REVISIONS	
NAME	DATE

ILLINOIS DEPARTMENT OF TRANSPORTATION
F.A.S. 418 (VANTINE ROAD)

BUTT JOINT DETAILS

SCALE: N/A
DATE: 1-5-07
DRAWN BY: CGF
CHECKED BY: JJM