

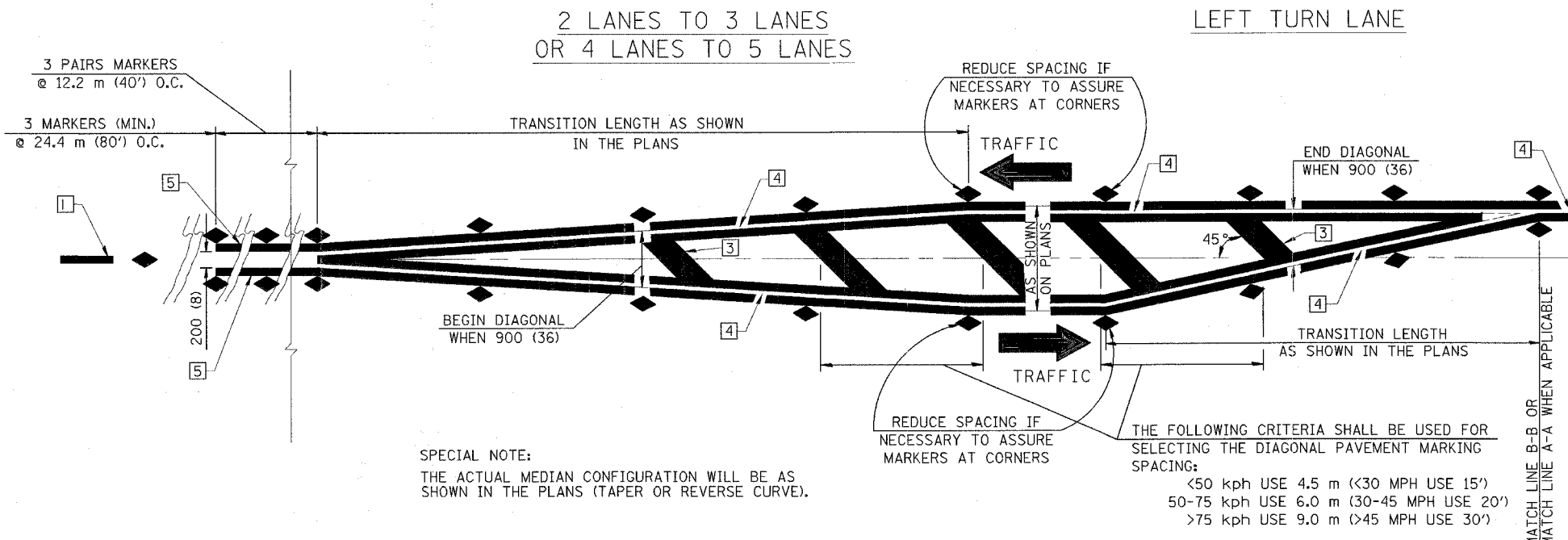
TYPICAL APPLICATIONS OF URBAN PAVEMENT MARKINGS AND MARKERS

F.A.U. RTE. 6352 6412	SECTION 02-00218-00-SP	COUNTY MCLEAN	TOTAL SHEETS 35	SHEET NO. 24
STA. _____		TO STA. _____		
ILLINOIS FED. AID PROJECT				

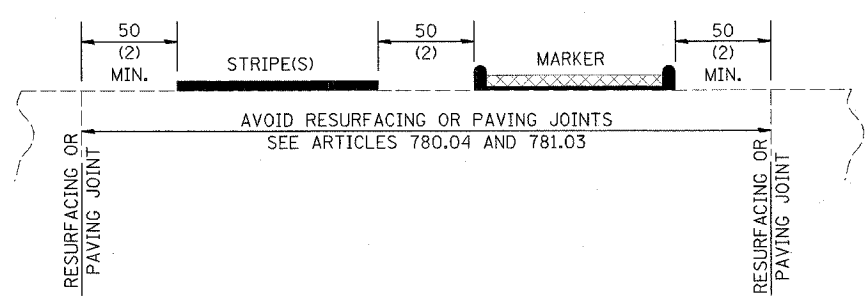
CONTRACT NO. 91363

TYPICAL PAVEMENT MARKING LEGEND

- | | |
|--|--|
| <ul style="list-style-type: none"> 1 100 (4) SKIP-DASH (YELLOW) 2 100 (4) SOLID (YELLOW) 3 300 (12) DIAGONAL (YELLOW) 4 100 (4) DOUBLE YELLOW (NARROW) 5 100 (4) DOUBLE YELLOW (WIDE) 6 RESERVED 7 100 (4) SKIP-DASH (WHITE) 8 100 (4) SOLID (WHITE) 9 300 (12) DIAGONAL (WHITE) 10 150 (6) CROSS WALK (WHITE) 11 600 (24) STOP BAR (WHITE) 12 150 (6) SOLID (WHITE) 13 100 (4) LANE LINE EXTENSIONS (WHITE) 14 RESERVED | |
|--|--|



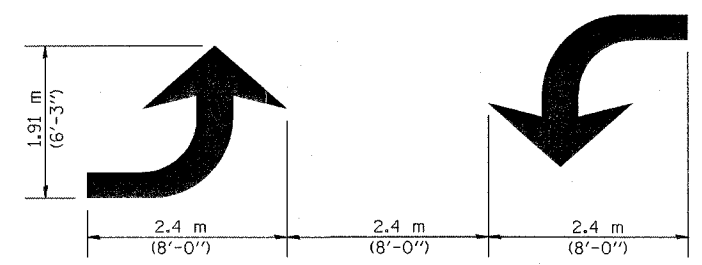
TYPICAL MEDIAN TRANSITIONS



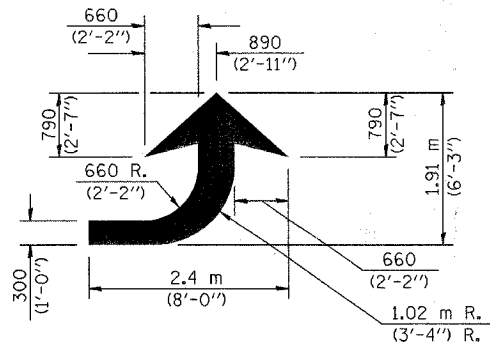
RELATIONSHIP OF STRIPES, MARKERS AND JOINTS

TYPICAL PAVEMENT MARKERS LEGEND

- ◆ TWO-WAY AMBER MARKER
- ▶ ONE-WAY AMBER MARKER
- ▷ ONE-WAY CRYSTAL MARKER



TYPICAL DOUBLE TURN ARROWS (WHITE)



LEFT ARROW
REVERSE FOR RIGHT ARROW
AREA= 1.47 m² (15.6 SQ. FT.)
(WHITE)

GENERAL NOTES

1. WHEN PAVEMENT MARKINGS ARE TO BE PLACED ADJACENT TO MEDIANS, SPECIAL DETAILS WILL BE INCLUDED ELSEWHERE IN THE PLANS.
2. SCALE: NONE
3. SOME OF THE INFORMATION INCLUDED WITH THIS DETAIL MAY NOT BE APPLICABLE TO THIS IMPROVEMENT.
4. PAVEMENT MARKINGS ARE TO BE EXTENDED THROUGH OMISSIONS WHEN APPLICABLE.
5. A STRIPING KEY IS AVAILABLE ELSEWHERE AND SHALL BE SHOWN WHERE THE QUANTITIES ARE LISTED.
6. FINAL PAVEMENT MARKINGS SHALL BE IN PLACE PRIOR TO PLACING ANY RAISED REFLECTIVE PAVEMENT MARKERS.

ILLINOIS DEPARTMENT OF TRANSPORTATION

PAVEMENT MARKING DETAILS

SCALE: NONE
DATE: 3-07
DRAWN BY: S.M.W.
CHECKED BY: J.T.P.

All dimensions are in millimeters (inches) unless otherwise shown.

p:\n24022\plans\sheet124 pvntmarking03.dgn
3/12/2007 3:40:43 PM