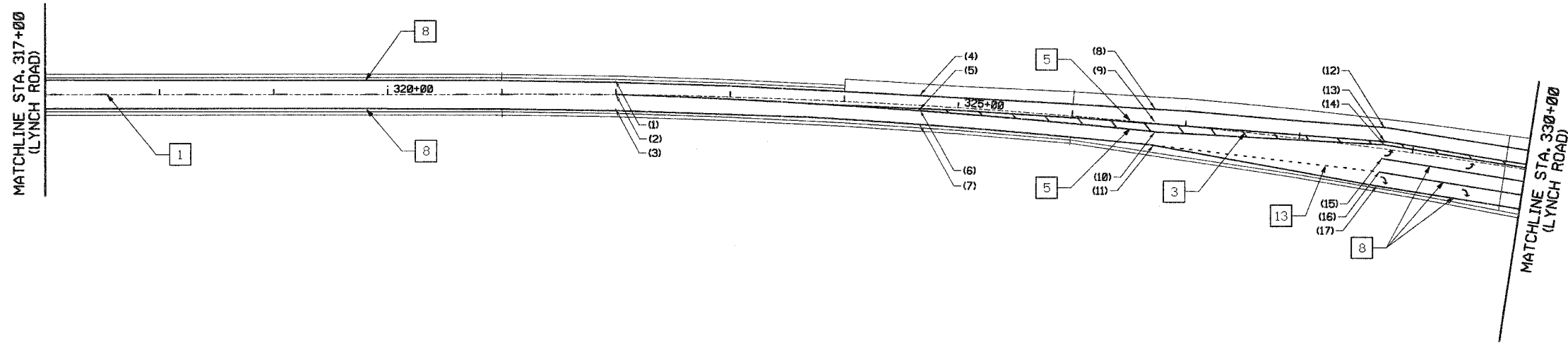
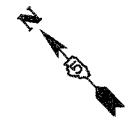


RTE.	PROJECT NO.	COUNTY	TOTAL SHEETS	SHEET NO.
	05-00218-00-PV	VERMILION	57	47
STA. 00+00.00 TO STA. 335+39.10				
*F.A.P. 729 & F.A.U. 6999 CONTRACT NO. 91367				



- 1 100 (4) SKIP-DASH (YELLOW)
- 2 100 (4) SOLID (YELLOW)
- 3 300 (12) DIAGONAL (YELLOW)
- 4 100 (4) DOUBLE YELLOW (NARROW)
- 5 100 (4) DOUBLE YELLOW (WIDE)
- 6 SYMBOLS
- 7 100 (4) SKIP-DASH (WHITE)
- 8 100 (4) SOLID (WHITE)
- 9 300 (12) DIAGONAL (WHITE)
- 10 150 (6) CROSS WALK (WHITE)
- 11 600 (24) STOP BAR (WHITE)
- 12 200 (8) SOLID (WHITE)
- 13 100 (4) LANE LINE EXTENSIONS (WHITE)
- 14 RESERVED

WORKPOINT TABLE

WP	STATION	OFFSET -/+
(1)	322+00.00	-12
(2)	322+00.00	0
(3)	322+00.00	12
(4)	324+66.50	-8.6
(5)	324+66.50	3.7
(6)	324+66.50	4.7
(7)	324+66.50	17
(8)	326+73.00	-12.5
(9)	326+73.00	-0.5
(10)	326+73.00	7.5
(11)	326+73.00	19.5
(12)	328+74.00	-18.9
(13)	328+74.00	-6.6
(14)	328+74.00	-3.6
(15)	328+74.00	8.4
(16)	328+74.00	20.4
(17)	328+74.00	32.7

NOTES:

- 1. FOR THERMOPLASTIC PAVEMENT MARKING SCHEDULE, SEE SHEET NO.48

DEPARTMENT OF ENGINEERING
 DANVILLE, ILL. R. DAVID SCHNELLE, CITY ENGINEER
 LYNCH ROAD IMPROVEMENT
 PAVEMENT MARKING PLAN
 STA. 317+00 TO STA. 330+00
 SCALE: 1/50
 DATE: 3/12/2007
 DRAWN BY: JPH
 CHECKED BY: RDS

carroll
 CITY OF DANVILLE, ILLINOIS STREET

REVISIONS	DATE
NAME	

X:\Projects\Cs.ty\Current\05010215-Lynch_Spur\C.v1\DCN\STP\006.dgn