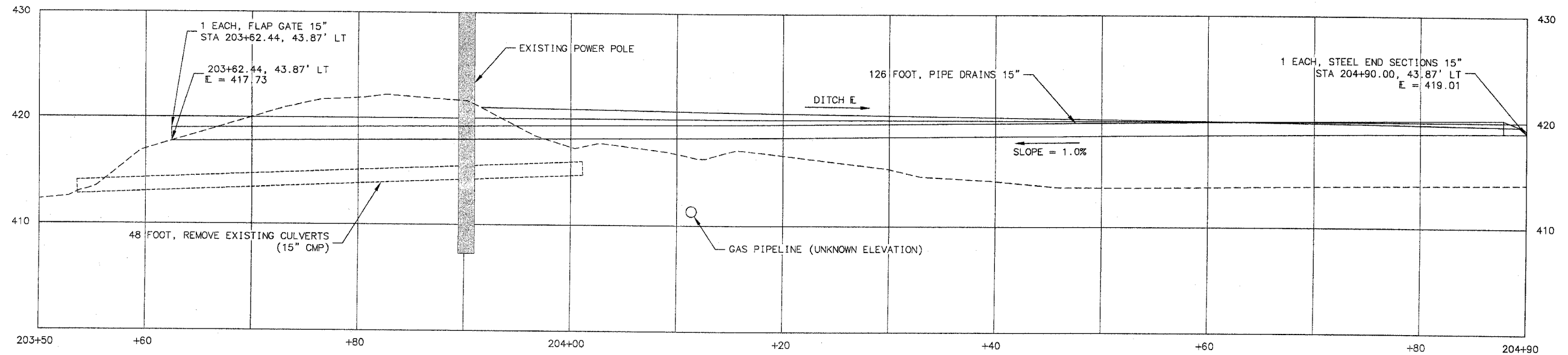
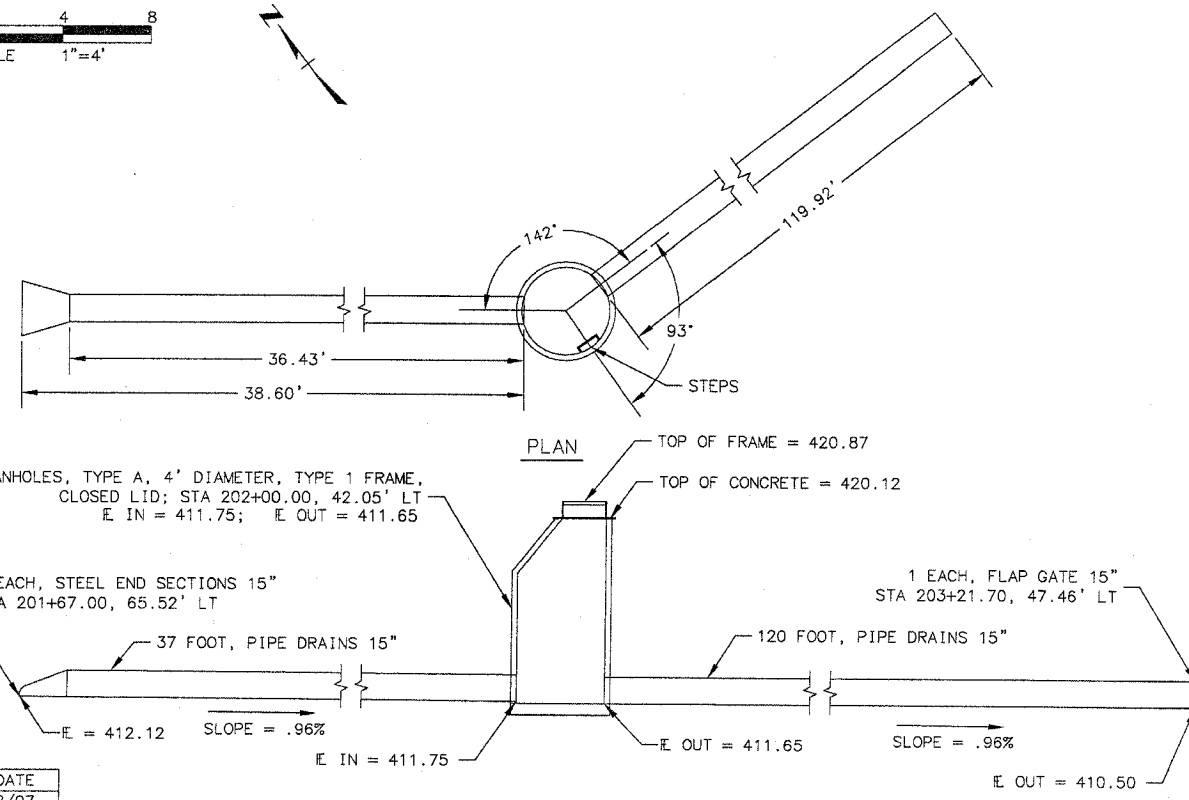
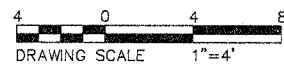


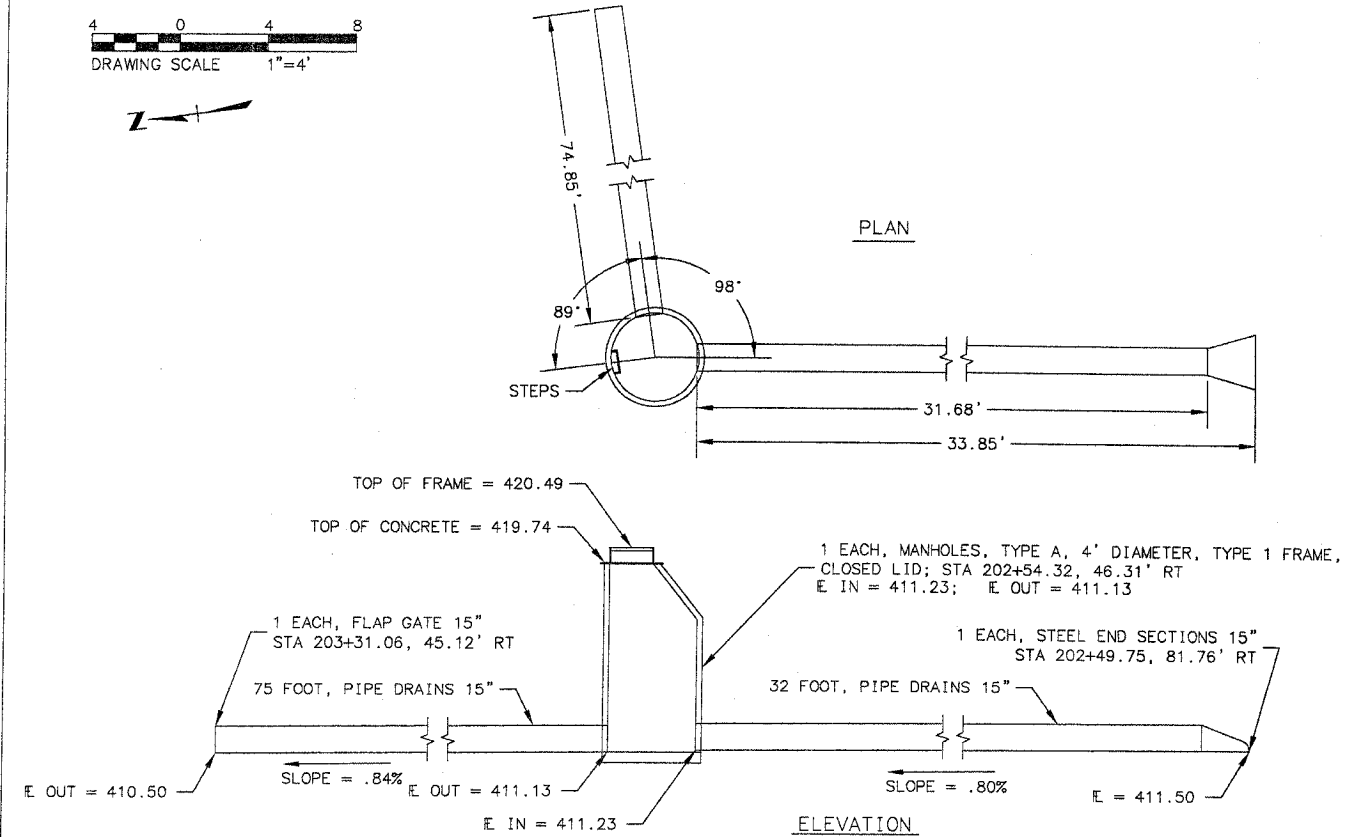
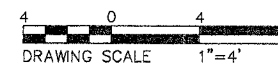
SECTION NO.	COUNTY HIGHWAY	COUNTY	SHEET OF SHEETS
02-00161-02-BR	CH 34	ST. CLAIR	6 OF 22
FHWA REG.NO.7		ILLINOIS	PROJ: BRM-5011(188)
PIPE & INLET DETAILS		CONTRACT 97280	



SECTION ALONG PIPE DRAIN  
(STA 203+50 LT TO STA 204+90 LT)



PIPE DRAIN AND MANHOLE DETAILS  
(STA 202+00.00 LT)



PIPE DRAIN AND MANHOLE DETAILS  
(STA 202+54.32 RT)

DRAWING FILE: PIPE DETAILS  
PLOT DATE: 3/07

	INITIALS	DATE
DESIGNED	WES	2/07
CHECKED		
DRAWN	WES	2/07
CHECKED		

PREPARED BY ST. CLAIR COUNTY