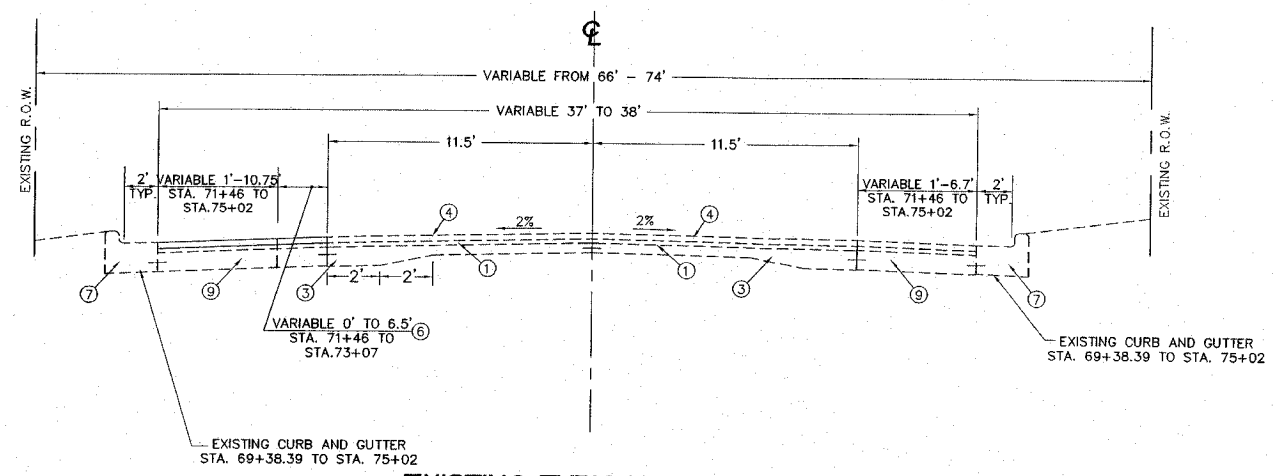


REVISIONS

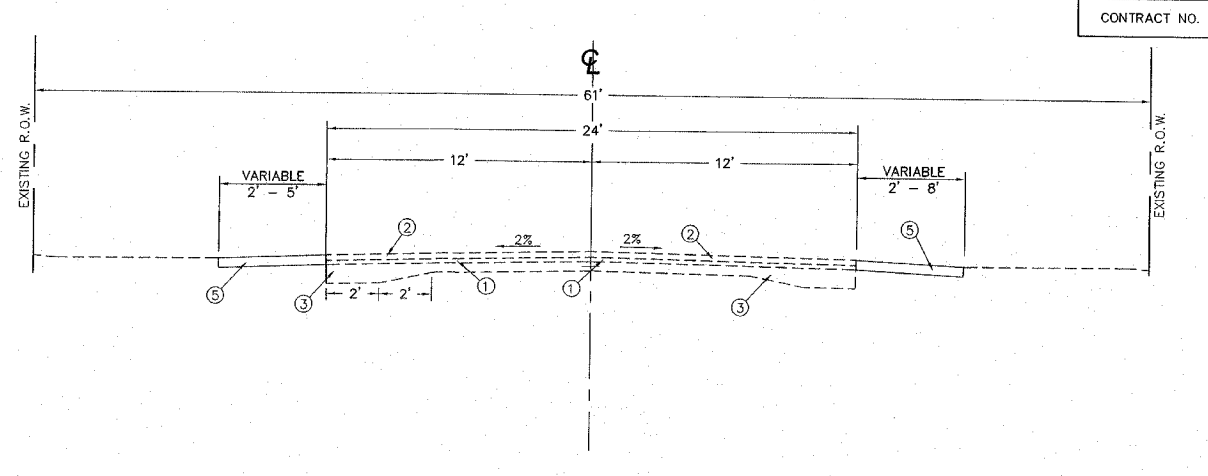
**SMS ENGINEERS**  
 Sheppard, Morgan & Schwaab, Inc.  
 CONSULTING ENGINEERS AND LAND SURVEYORS  
 215 Market Street, P.O. Box E, Albany, IL 62002 • 618-462-0755 • Email: ms@smsengineers.com  
 10 Central Industrial Drive, Granite City, IL 62040 • 618-877-4700 • E-mail: ms@smsengineers.com

**EDWARDSVILLE ROAD PHASE II (FAU 8980)**  
**SECTION 05-00043-02-WR**  
**WOOD RIVER, ILLINOIS**  
**EXISTING TYPICAL SECTIONS**

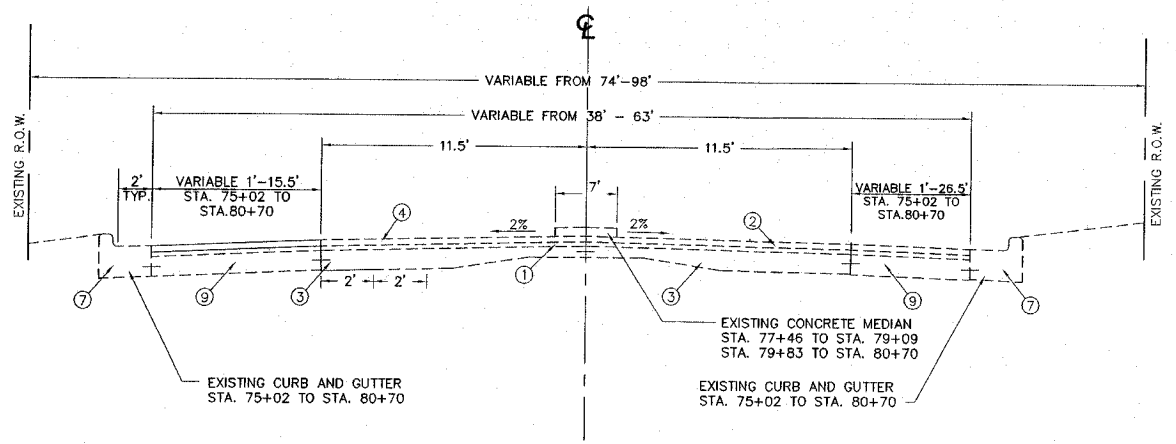
DWG. NO.	TYPICAL SECTIONS.dwg
REF. BK.	PG.
JOB NO.	286614
DSN. BY:	CLA
DWN. BY:	CDP-jmk
CHK. BY:	JHH
DATE:	JANUARY, 2007
SCALE:	N.T.S.
SHEET	4 OF 31



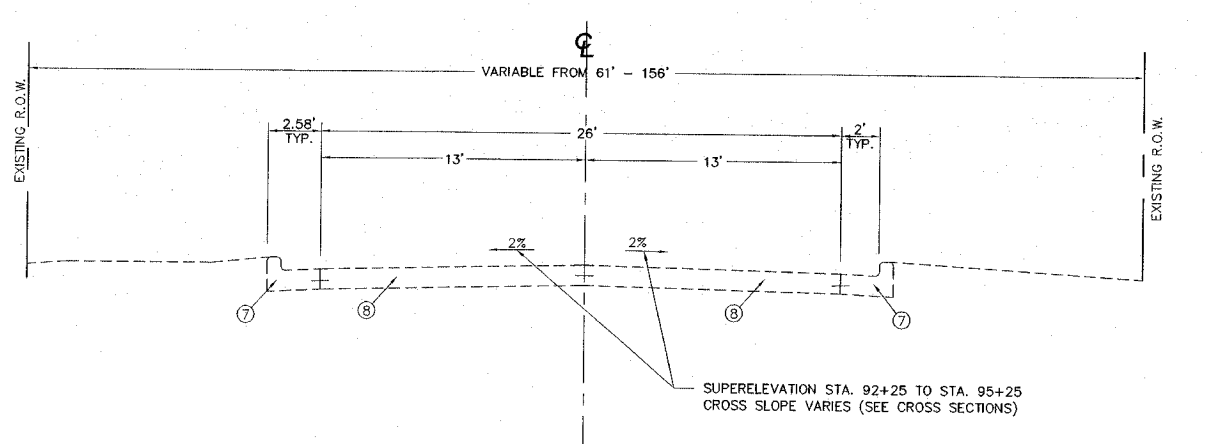
**EXISTING TYPICAL SECTION**  
 STA. 69+38.39 - 75+02  
 N.T.S.



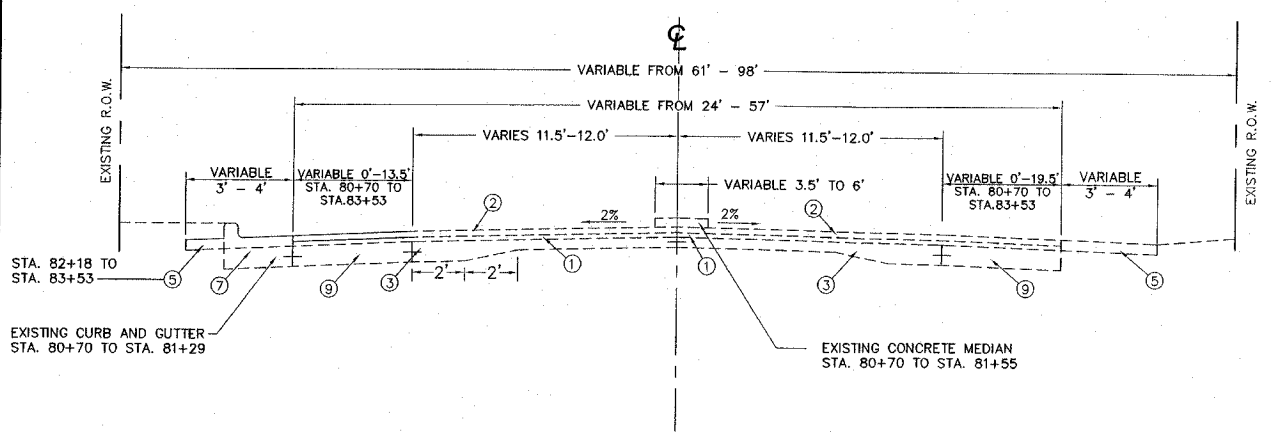
**EXISTING TYPICAL SECTION**  
 STA. 83+53 - 91+03.42  
 N.T.S.



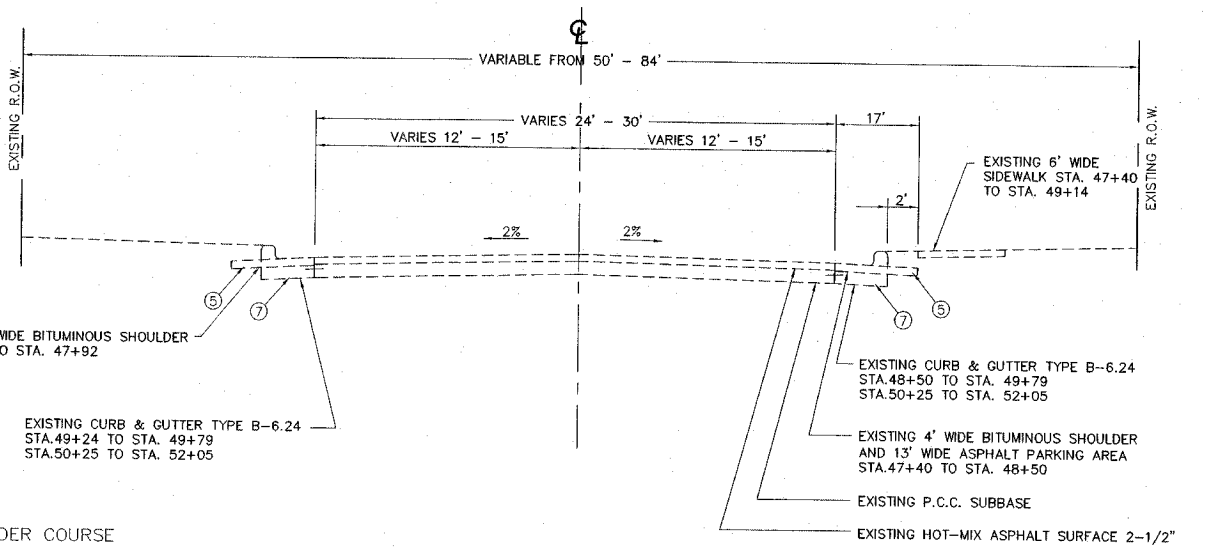
**EXISTING TYPICAL SECTION**  
 STA. 75+02 - 80+70  
 N.T.S.



**EXISTING TYPICAL SECTION**  
 STA. 91+03.42 - 95+50  
 N.T.S.



**EXISTING TYPICAL SECTION**  
 STA. 80+70 - 83+53  
 N.T.S.



**EXISTING TYPICAL SECTION NINTH STREET**  
 STA. 47+40 - 52+05  
 N.T.S.

**LEGEND**

- ① EXISTING 1 1/2" BITUMINOUS CONCRETE BINDER COURSE
- ② EXISTING 5/8" OPEN GRADED PLANT MIX SURFACE COURSE
- ③ EXISTING PCC PAVEMENT (9"-7 5/8"-9")
- ④ EXISTING BITUMINOUS SURFACE COURSE 1 1/2"
- ⑤ EXISTING BITUMINOUS SHOULDER
- ⑥ EXISTING BITUMINOUS WIDENING 7 1/2"
- ⑦ EXISTING B-6.24 CONCRETE CURB AND GUTTER
- ⑧ EXISTING P.C.C. PAVEMENT, 8"
- ⑨ EXISTING P.C.C. BASE COURSE WIDENING, 9"