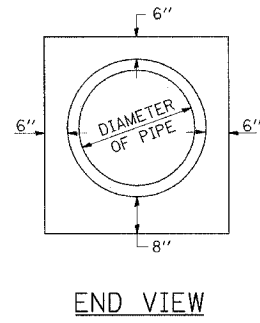
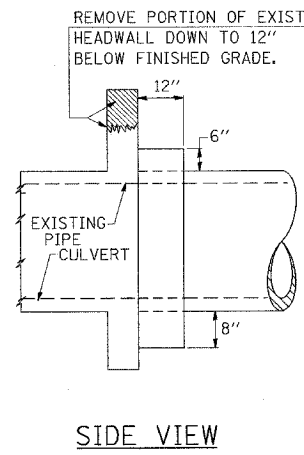


### DETAILS OF CONCRETE COLLAR



#### TABULATION

DIAMETER OF PIPE	CL SI CONC CU YDS EST
12"	0.16
15"	0.19
18"	0.21
24"	0.29
30"	0.37
36"	0.44
42"	0.53
48"	0.62
54"	0.71
60"	0.81
72"	1.03

THE CONCRETE COLLAR SHALL BE PAID FOR AT THE CONTRACT UNIT PRICE PER CUBIC YARD FOR CONCRETE COLLAR, AS SHOWN ON THE PLANS, WHICH PRICE SHALL INCLUDE THE REMOVAL OF SUCH PORTIONS OF THE EXISTING HEADWALLS AS MAY BE REQUIRED.

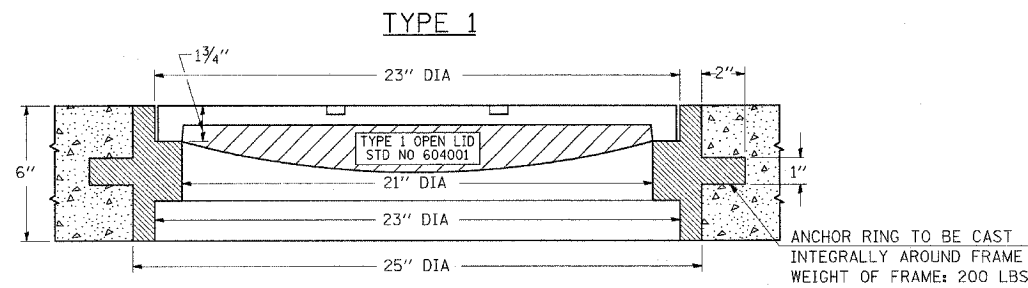
CLASS SI CONCRETE SHALL BE USED THROUGHOUT.

REVISIONS

REDRAWN	2-15-89
REVISED	8-19-94
REVISED	
REVISED	

STD. 9-19

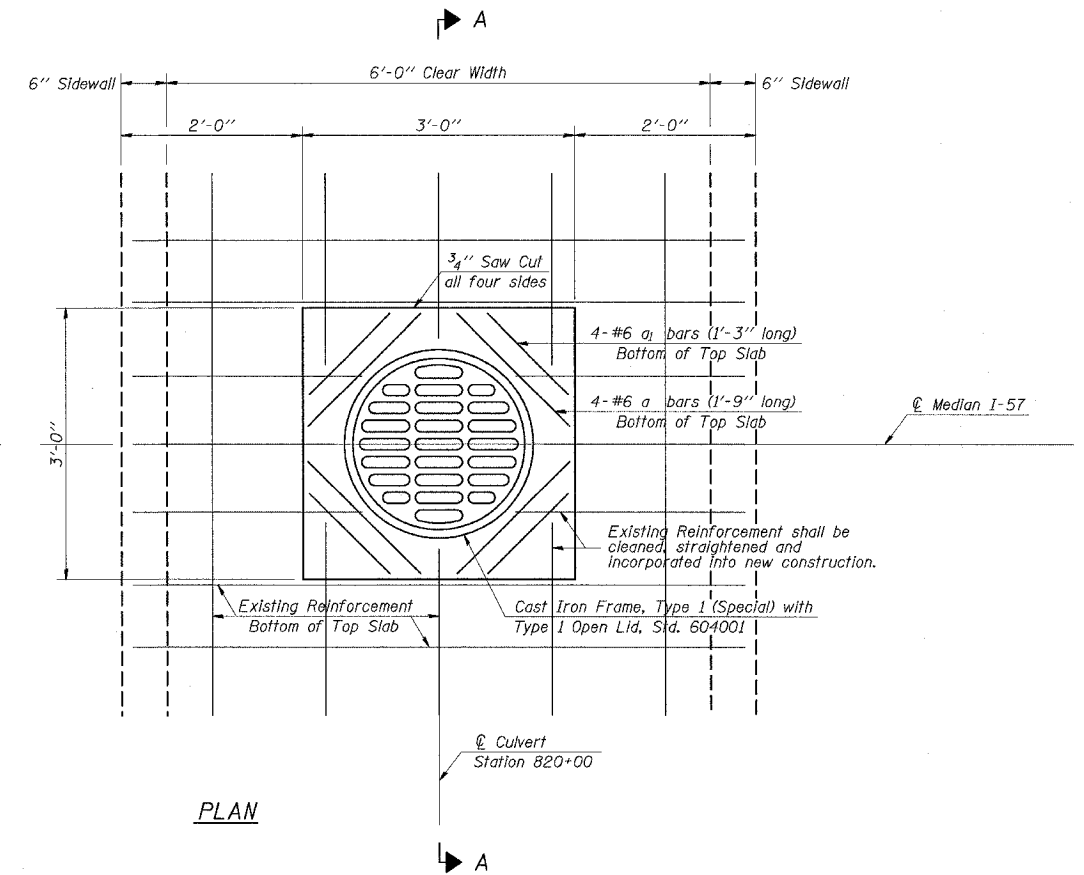
### DETAIL OF CAST IRON FRAME, TYPE 1 (SPECIAL) WITH TYPE 1 OPEN LID



THE FRAMES MAY BE MADE OF EITHER GRAY IRON CONFORMING TO THE STANDARD SPECIFICATIONS OR DUCTILE IRON CONFORMING TO THE SPECIFICATIONS FOR DUCTILE IRON CASTING, A.S.T.M. DESIGNATION: A536, GRADE 60-45-10.

### DETAIL OF MEDIAN INLET STATION 820+00

F.A.I. RTE.	SECTION	COUNTY	TOTAL SHEETS	SHEET NO
57	77-G, 4-1, 4-2RS-2	PULASKI	52	46
STA.	TO STA.			
FED. ROAD DIST. NO.	ILLINOIS	FED. AID PROJECT		
CONTRACT NO. 98829				



#### NOTES

All earthwork operations required to perform this work shall be included in the cost of Concrete Box Culverts.  
 Final grading and shaping of the median surrounding the Inlet shall be to the satisfaction of the Engineer.  
 For backfilling and embankment, see Standard Specifications.  
 Reinforcement Bars shall conform to the requirements of AASHTO M-31, M-42 or M-53, Grade 60.

#### BILL OF MATERIAL

Bar	No.	Size	Length	Shape
a	4	#6	1'-9"	
a <sub>1</sub>	4	#6	1'-3"	
Concrete Removal			Cu. Yd.	0.2
Concrete Box Culverts			Cu. Yd.	0.1
Reinforcement Bars			Pound	18

PLOT DATE = 3/21/2007  
 FILE NAME = c:\p\proj\p01a\p1944893\p1944893.dwg  
 PLOT SCALE = 1/8" = 1'-0"  
 USER NAME = jromasht