

F.A.I. RTE.	SECTION	COUNTY	TOTAL SHEETS	SHEET NO.
57	(X1-6-2)HRK	WILLIAMSON	272	19
STA.	TO STA.			
FED. ROAD DIST. NO. 9	ILLINOIS	FED. AID PROJECT		

STRUCTURAL DESIGN INFORMATION
MORGAN AVENUE - HALFWAY ROAD TO BRIDGE

ROAD CLASSIFICATION: URBAN COLLECTOR

STRUCTURAL DESIGN TRAFFIC:
 PV = 13,300 SU = 190 MU = 60

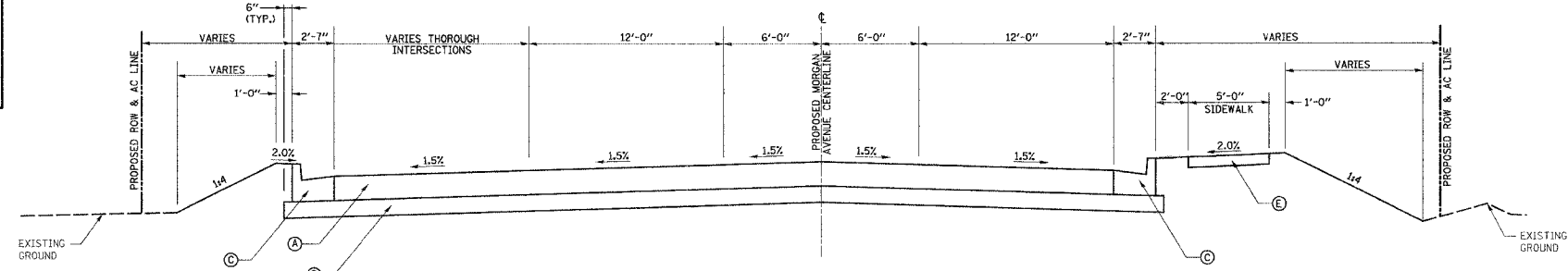
PERCENT OF STRUCTURAL DESIGN TRAFFIC IN DESIGN LANE
 P = 50% S = 5.0% M = 50%

MINIMUM SUBGRADE SUPPORT RATING: POOR

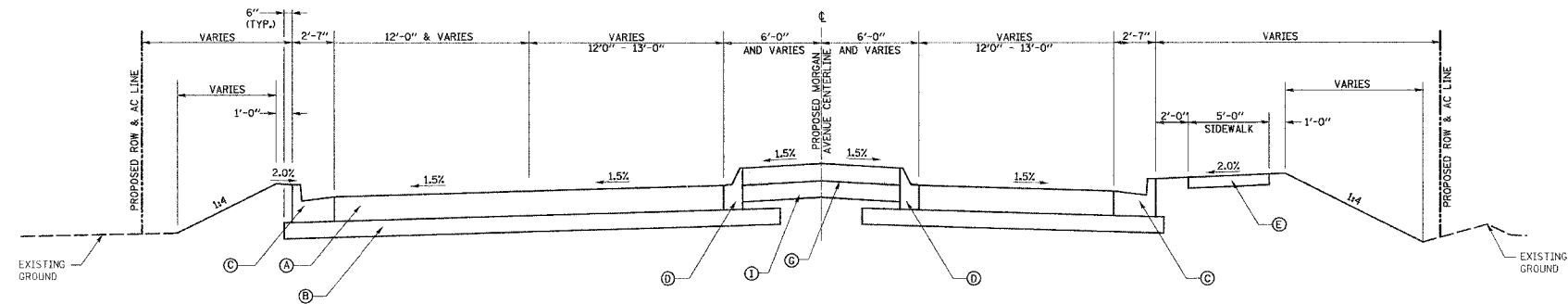
RIGID PAVEMENT DESIGN:
 8" P.C.C. PAVEMENT
 4" SUBBASE GRANULAR MATERIAL, TYPE A

LEGEND

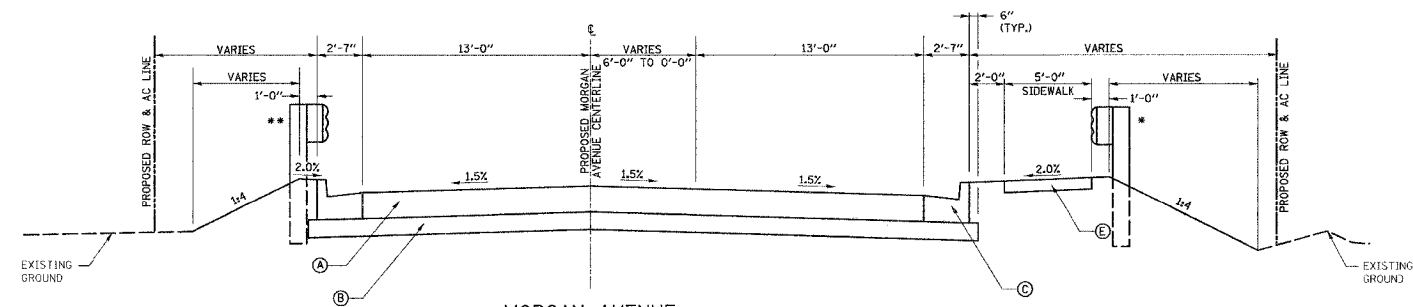
- (A) P.C.C. PAVEMENT, 8"
- (B) SUBBASE GRANULAR MATERIAL, TYPE A, 4"
- (C) 6-6.24 CURB & GUTTER
- (D) 6-6.06 CURB & GUTTER
- (E) P.C.C. SIDEWALK, 4"
- (F) BRIDGE APPROACH PAVEMENT (SPECIAL)
- (G) 4' MEDIAN P.C.C.
- (H) STEEL PLATE BEAM GUARDRAIL, TY A
- (I) 4" AGGREGATE BACKFILL, INCLUDED WITH MEDIAN



MORGAN AVENUE
SECTION 1
 STA 24+36.64 TO STA 26+00.00



MORGAN AVENUE
SECTION 2
 STA 26+00.00 TO STA 30+23.67



MORGAN AVENUE
SECTION 3
 STA 30+23.67 TO STA 32+55.25 **
 * GUARDRAIL BEGINS AT STA. 31+21.88 LT. AND STA. 30+36.18 RT.
 ** STA. 31+55.25 TO STA. 32+55.25 BRIDGE APPROACH PAVEMENT CONNECTOR (PCC) SEE STANDARD 420-01

REVISIONS	
NAME	DATE

ILLINOIS DEPARTMENT OF TRANSPORTATION

TYPICAL SECTIONS - MORGAN AVENUE

MORGAN AVENUE INTERCHANGE
 FAI ROUTE 57 WITH FAI ROUTE 9718
 WILLIAMSON COUNTY

SCALE: NONE
 DATE: 3-19-2007

DRAWN BY: DEH
 CHECKED BY: RD

PLOT DATE = 3/19/2007
 FILE NAME = P:\046628\fig\046628.dgn
 PLOT SCALE = 1/8" = 1'-0"
 USER NAME = dbeamer