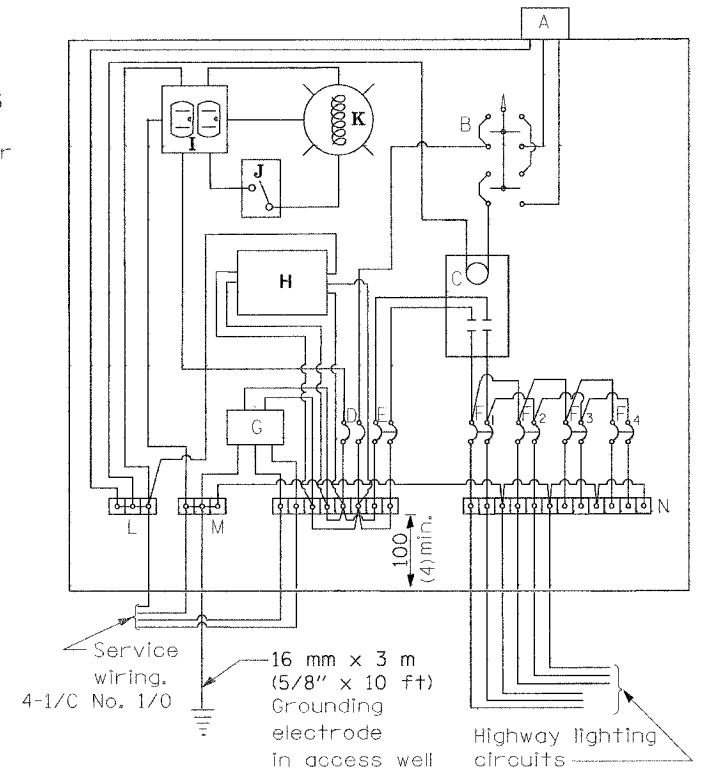
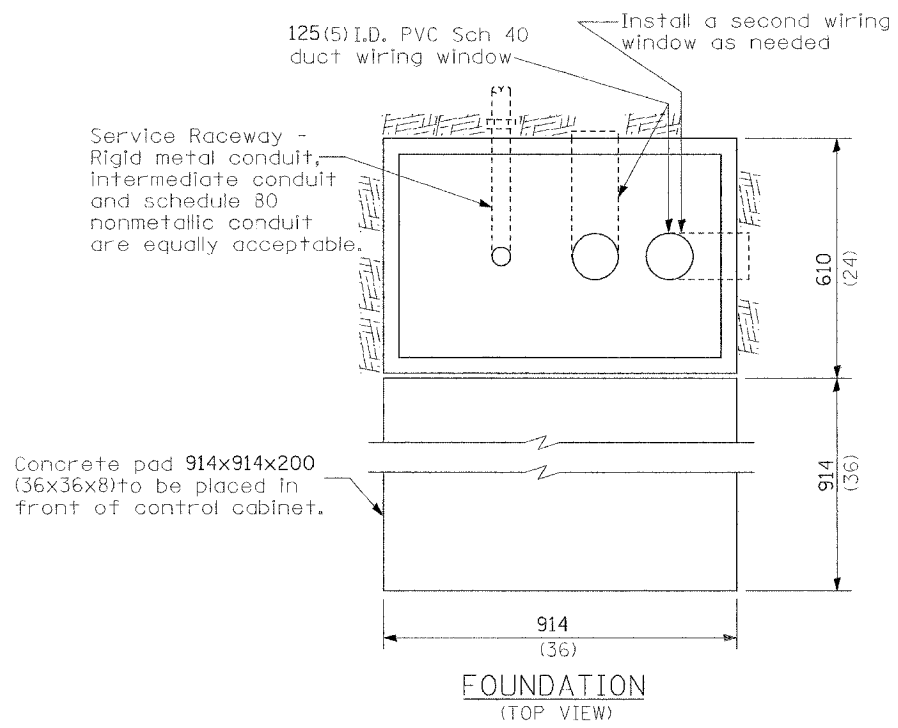
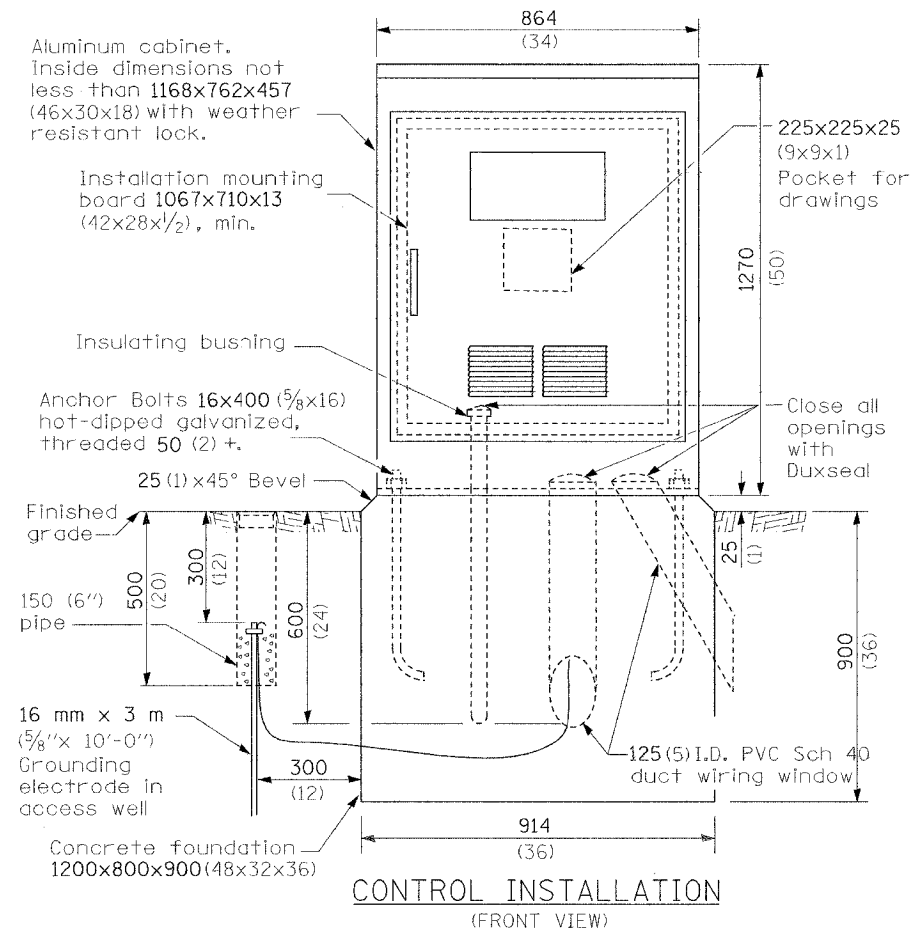


F.A.I. RTE.	SECTION	COUNTY	TOTAL SHEETS	SHEET NO.
57	04-0009700BR	WILLIAMSON	272	81
STA.		TO STA.		
FED. ROAD DIST. NO. 9		ILLINOIS FED. AID PROJECT		



MATERIALS

- A Photocell w/ integral surge arrester.
- B 3 position selector switch HAND-OFF-AUTO
- C 100 amp* electrically held contactor, 120V operating coil
- D 15 amp, 1 pole, circuit breaker
- E 100 amp*, 2 pole, main circuit breaker
- F 30 amp*, 2 pole, branch circuit breaker. 2 spare c.b. For future northbound ramp. 4 total required.
- G Surge arrester
- H Transformer 1 KVA, 240/480V primary, 120/240V sec. single phase
- I GFCI duplex receptacle
- J Single pole, single throw switch
- K Shielded security fixture with 100W lamp
- L Neutral bar
- M Equipment ground bar
- N Terminal block

GENERAL NOTES

Electrical service shall be 480V, single phase.

Locate Service Pole and control installation adjacent to R.O.W. line with a minimum distance of 9 m (30') from the edge of pavement. Locate in close proximity to the utility transformer so the service drop does not exceed 46 m (150ft) and the total distance of overhead and underground cable (utility transformer to lighting controller) does not exceed 76 m (250ft). Exact location shall be established by the Engineer.

Wiring shall be panel board fashion. All bends shall be right angles. All runs shall vertical or parallel to panel board, Wires shall be grouped or laced.

All control installation components shall be U.L. listed.

Raceways shall terminate 75 (3) above top of concrete foundation.

Label equipment ground buss and neutral buss.

All dimensions are in millimeters (inches) unless otherwise shown.

REVISIONS	
NAME	DATE

ILLINOIS DEPARTMENT OF TRANSPORTATION

LIGHTING PLAN

CONTROL INSTALLATION

TYPE CB-RCS-100

MORGAN AVENUE INTERCHANGE
FAP ROUTE 57 WITH FAU ROUTE 9718
WILLIAMSON COUNTY

SCALE: N/A
DATE: 3-19-2007

6 OF 9
DRAWN BY: N/A
CHECKED BY: N/A

PLOT DATE = 3/19/2007
FILE NAME = F:\046600\egm\0466001.dgn
PLOT SCALE = 60:0000 / 1"=100'
USER NAME = drc@emv