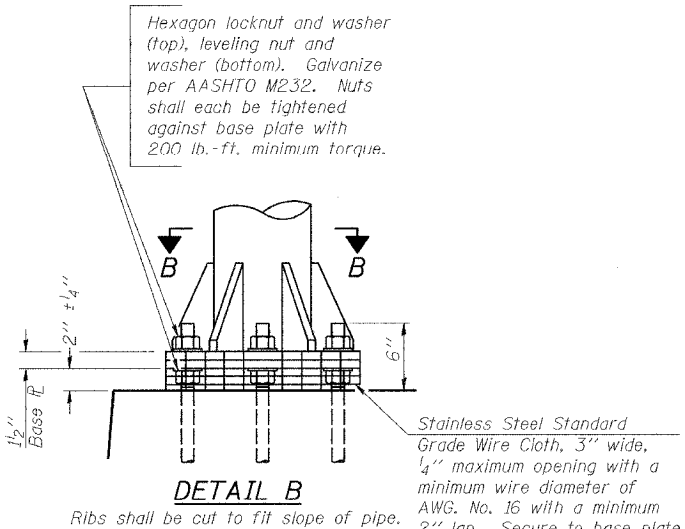
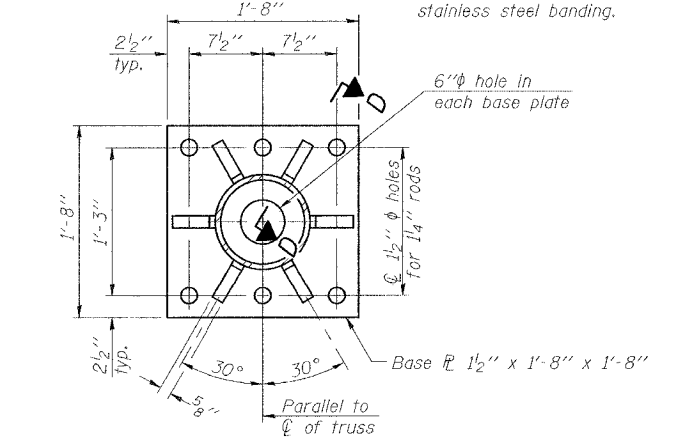


F.A.I. RTE.	SECTION	COUNTY	TOTAL SHEETS	SHEET NO.
57	OX1-6-2H8K	WILLIAMSON	272	112
STA.	TO STA.			
FED. ROAD DIST. NO. 9	ILLINOIS	FED. AID PROJECT		

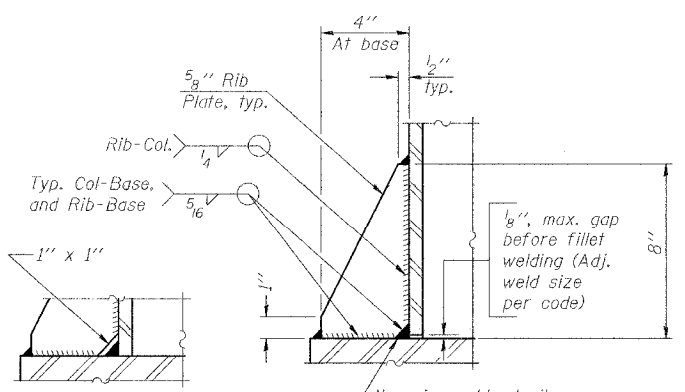


DETAIL B

Ribs shall be cut to fit slope of pipe.
Stainless Steel Standard Grade Wire Cloth, 3" wide, 1/4" maximum opening with a minimum wire diameter of AWG. No. 16 with a minimum 2" lap. Secure to base plate after erection with 3/4" stainless steel banding.

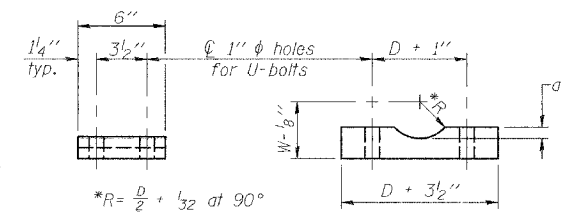


SECTION B-B



SECTION D-D

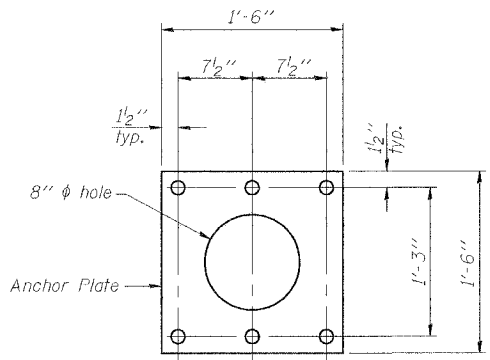
** Alternate detail if welding col. to base plate first, then snip inside corner of ribs. Terminate weld on rib 1/4" from snip.



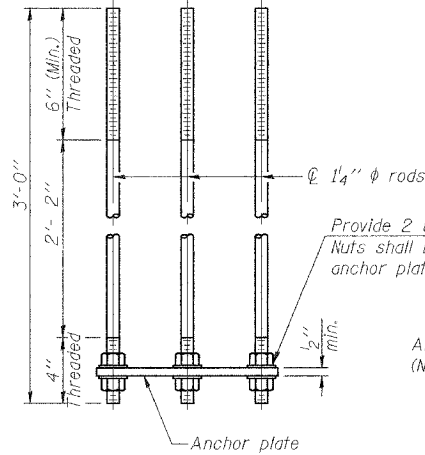
SADDLE SHIM DETAIL

ASTM B26 Alloy 356-F
or
ASTM B209 Alloy 6061-T651
(4 required per sign truss)

Truss Chord Nominal Dia.	a
5"	3/4"
5 1/2"	13/16"
6"	7/8"
6 1/2"	15/16"
7"	1"

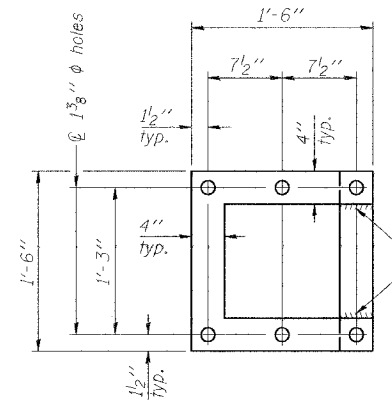


ANCHOR ROD DETAIL
Spread Footing Foundation



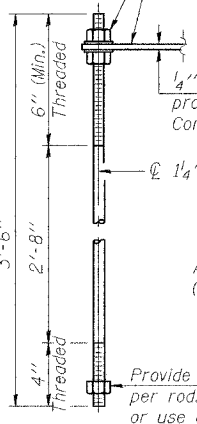
Provide 2 uncoated nuts per rod. Nuts shall be "snug tight" against anchor plate.

All Thread = NC (National Coarse)



POSITIONING PLATE(S)

At each location, provide 1/4" thick positioning plate(s) and six (6) additional nuts to be used with leveling nuts to maintain anchor bolts position during concrete placement.



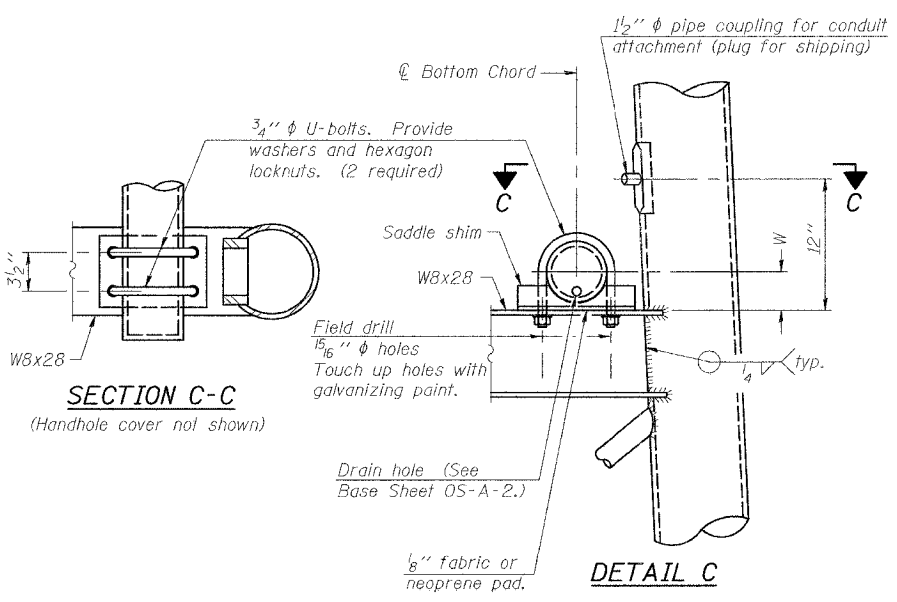
ANCHOR ROD DETAIL
Drilled Shaft Foundation

All Thread = NC (National Coarse)

Provide 1 uncoated nut per rod. Deform thread or use chemical thread lock to secure.

Anchor rods shall conform to AASHTO M314 Grade 36 or 50 and meet Charpy V-Notch (CVN) energy of 15 lb.-ft. at 40° F. Galvanize upper 12" per AASHTO M232. No welding shall be permitted on rods.

10" PIPE SUPPORT FRAME DETAILS



SECTION C-C
(Handhole cover not shown)

DETAIL C

NUMBER	REVISION	DATE

ILLINOIS DEPARTMENT OF TRANSPORTATION
OVERHEAD SIGN STRUCTURES
SUPPORT FRAME DETAILS ALUMINUM TRUSS

MORGAN AVENUE INTERCHANGE
FAI ROUTE 57 WITH FAU ROUTE 9718
WILLIAMSON COUNTY

SHEET 6 OF 11

SCALE: N/A DATE: 3-19-2007

PLOT DATE = 3/15/2007
 FILE NAME = P:\10402000\10402000.dwg
 PLOT SCALE = 8.1182000 x 1 IN.
 USER NAME = dhoerrner