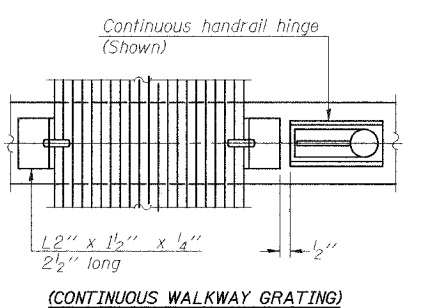
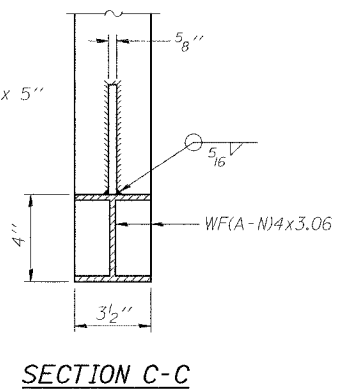
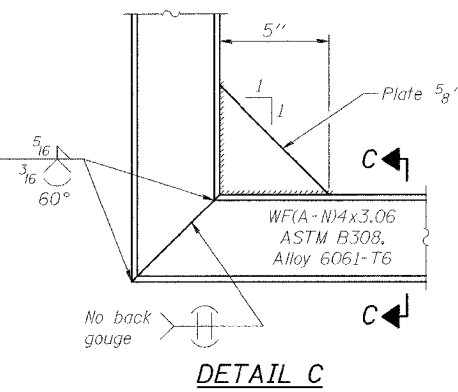
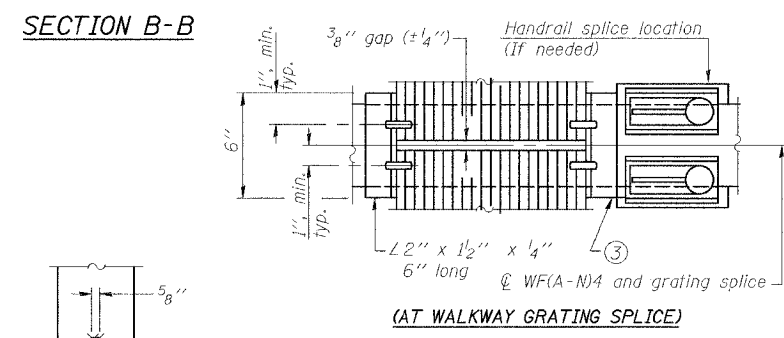
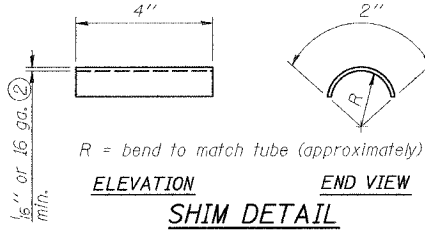
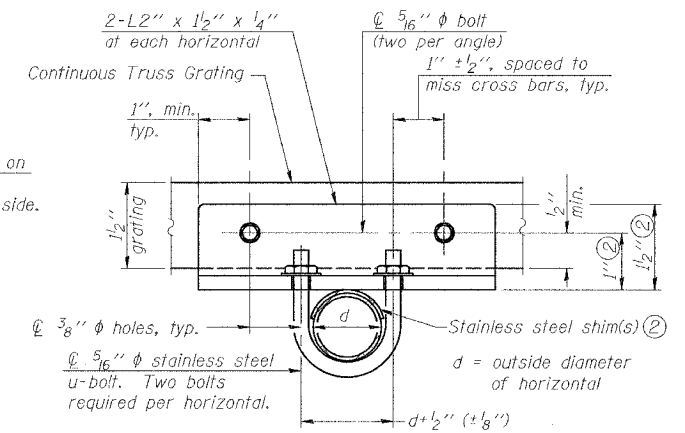
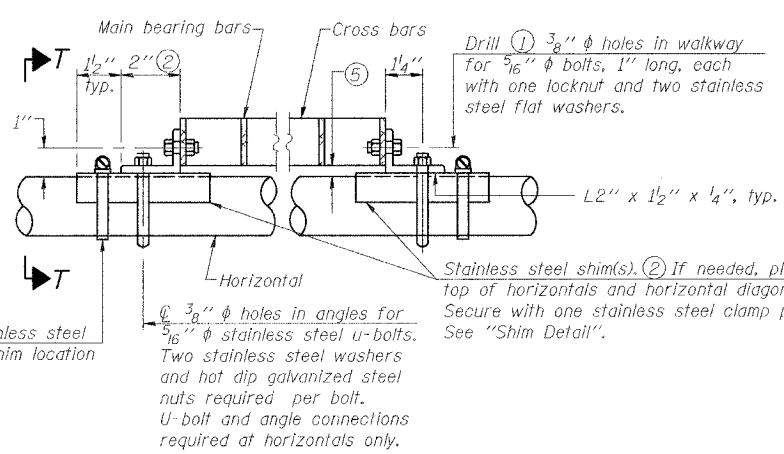
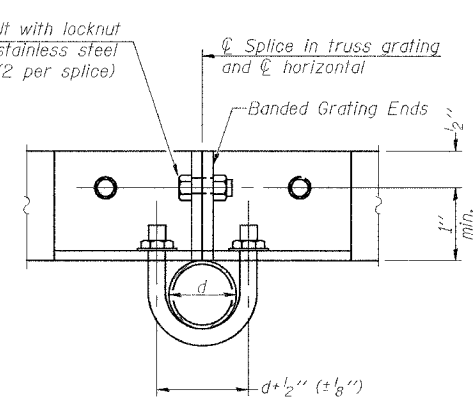
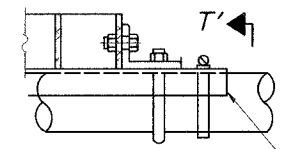
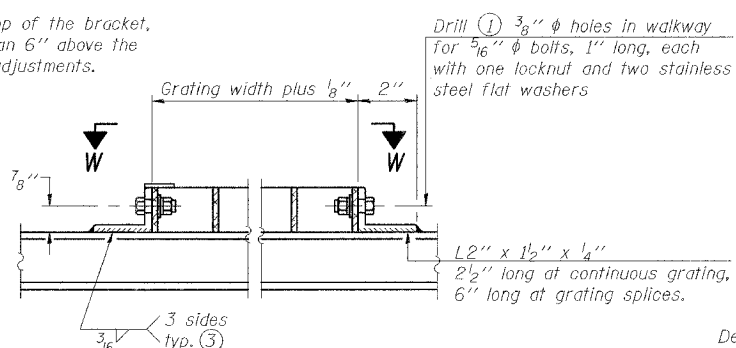
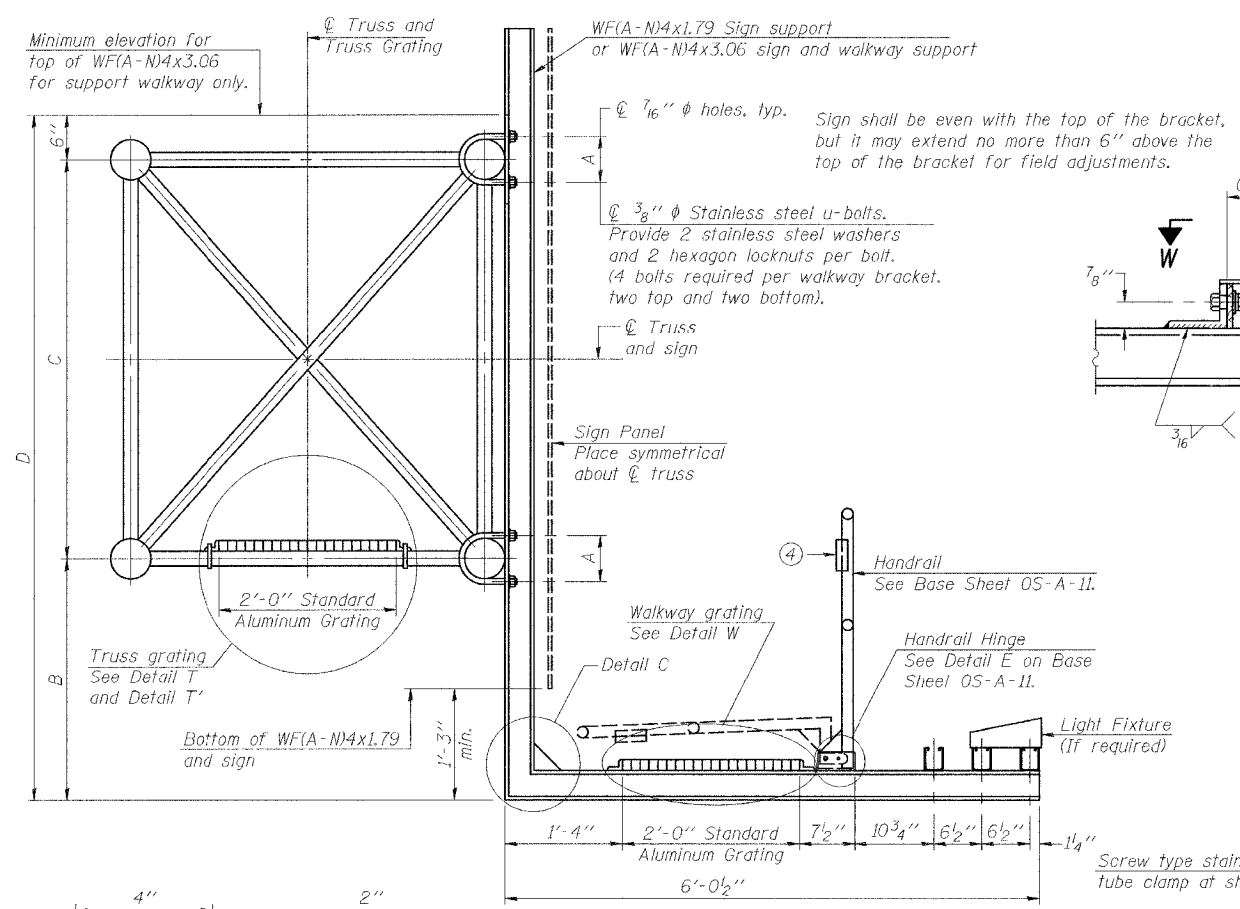


F.A.I. RTE.	SECTION	COUNTY	TOTAL SHEETS	SHEET NO.
57	OX1-6-2HKB	WILLIAMSON	272	114
STA.	TO STA.			
FED. ROAD DIST. NO. 9	ILLINOIS	FED. AID PROJECT		



SPECIFICATIONS FOR STANDARD ALUMINUM GRATING

Main Bearing Bars shall be 3/16" x 1 1/2" on 1 3/16" centers and conform to ASTM B221 Alloy 6061-T6.
 Cross bars shall be 3/16" x 1 1/2" on 4" centers and conform to ASTM B221 Alloy 6063-T5 or 6061-T6.

OR

Aluminum Grating with modified "I" sections for main bearing bars shall meet the following requirements:
 Main bars shall conform to ASTM B221 Alloy 6061-T6 and have a minimum section modulus equal to 0.0705 in.³ per bar, a depth of 1 1/2", spaced on 1 3/16" centers.
 Cross bars shall conform to ASTM B221 Alloy 6063-T5 or T-42 and spaced on 4" centers.

Structure Number	Station	A	B	C	D
9S1001057R055.5	348+50.00	6"	6'-6"	4'-6"	11'-6"
9S1001057R054.5	403+52.04	6"	6'-1 1/2"	5'-3"	11'-10 1/2"

- Drilling holes in grating may be done in shop or field, based on Contractor's preference and subject to accurate alignment.
- Stainless steel shims shall be placed as shown in Detail T if needed to compensate for alignment variations between horizontal and diagonal pipes beyond adjustment provided by angles. Thicker shims may be used subject to shims performing properly.
- If Handrail Joint present, weld angle to WF(A-N)4 and 1/4" extension bars. (See Base Sheet OS-A-11.)
- 1/8" x 1/2" x 2" welded to handrail posts to protect locations that contact grating.
- Tube to grating gap may vary from 0 to 1/2", max. to align walkway, allow for camber, etc.

NUMBER	REVISION	DATE

ILLINOIS DEPARTMENT OF TRANSPORTATION

**OVERHEAD SIGN STRUCTURES
ALUMINUM WALKWAY DETAILS**

MORGAN AVENUE INTERCHANGE
FAI ROUTE 57 WITH FAU ROUTE 9718
WILLIAMSON COUNTY

SHEET 8 OF 11

SCALE: N/A DATE: 3-19-2007

PLOT DATE = 5/25/2007
 FILE NAME = F:\V\98994\Drawings\OS-A-10.dwg
 PLOT SCALE = 0.21875000 1/4" = 1'-0"
 USER NAME = chisner