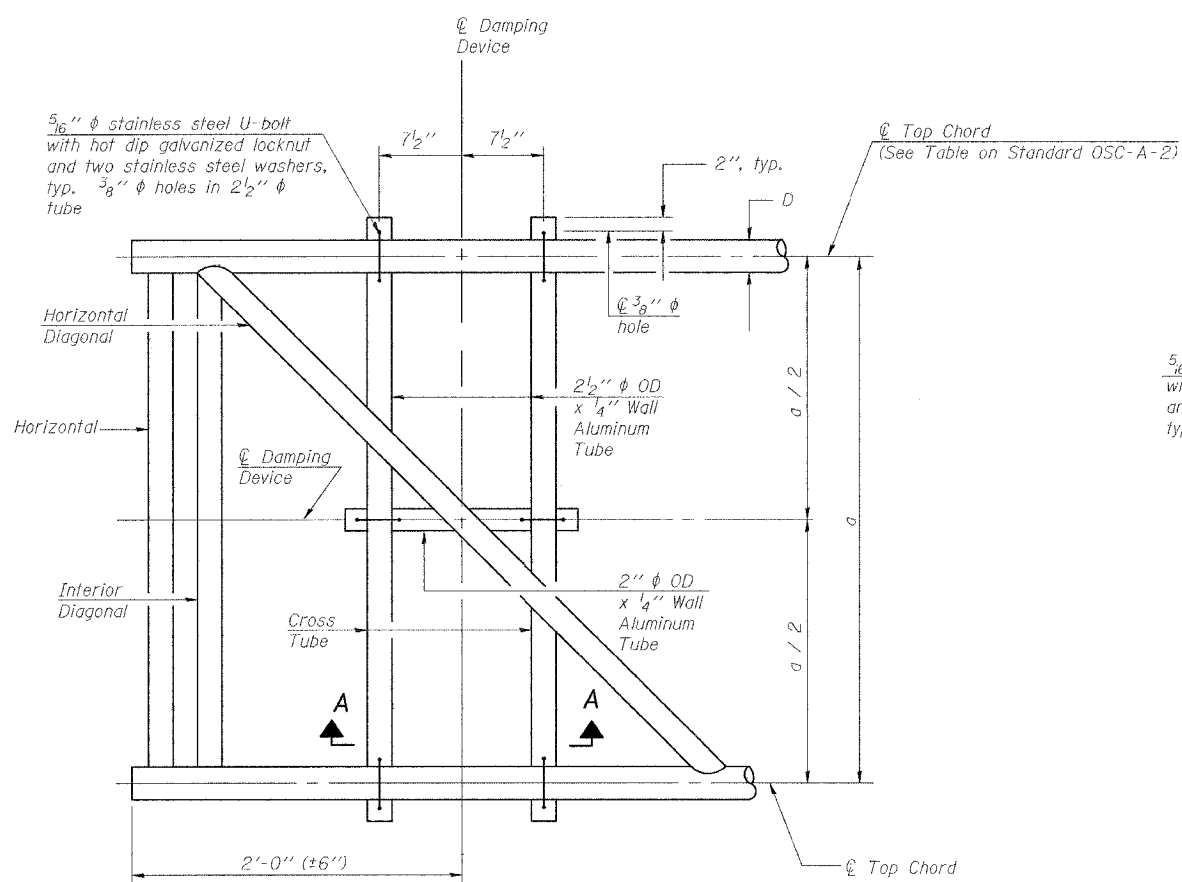
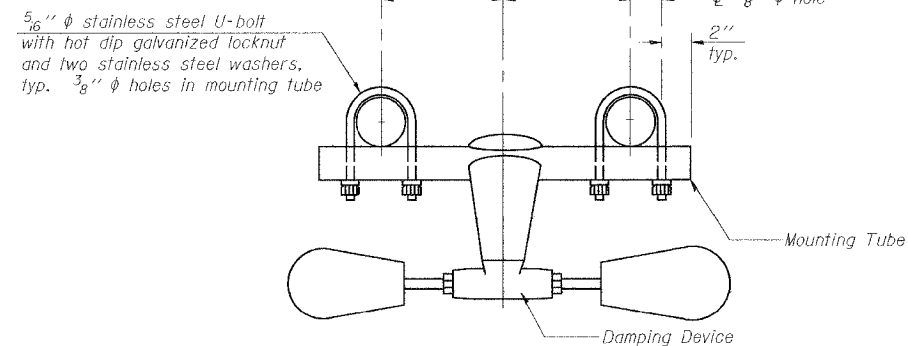


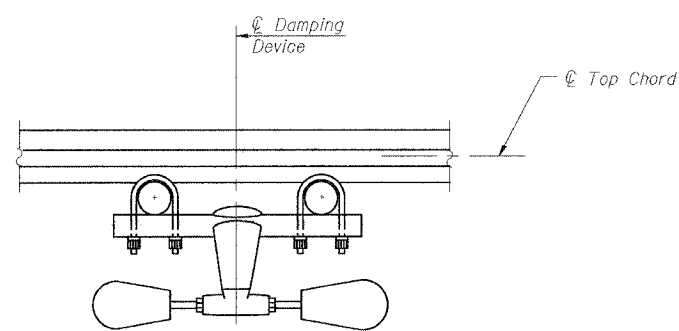
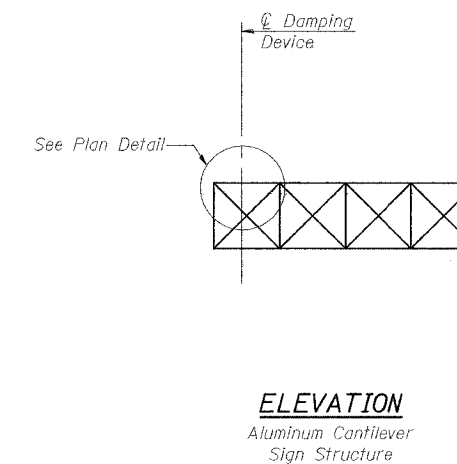
F.A.I. RTE.	SECTION	COUNTY	TOTAL SHEETS	SHEET NO.
57	X1-6-2H8K	WILLIAMSON	272	120
STA.		TO STA.		
FED. ROAD DIST. NO. 9		ILLINOIS		FED. AID PROJECT



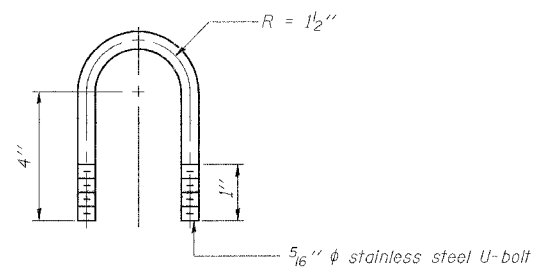
PLAN DETAIL



TRUSS DAMPING DEVICE CONNECTION DETAIL

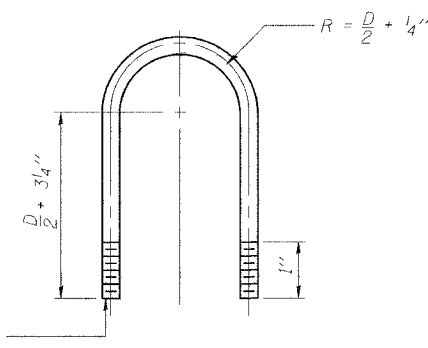


SECTION A-A



DAMPING DEVICE MOUNTING TUBE U-BOLT DETAIL

(Typical)



TOP CHORD TO CROSS TUBE U-BOLT DETAIL

(Typical)

- GENERAL NOTES**
- Damper: One damper per truss. (31 lbs. Stockbridge-Type Aluminum)
- Materials: Aluminum tubes shall be ASTM B221 alloy 6061 temper T6

ILLINOIS DEPARTMENT OF TRANSPORTATION  
CANTILEVER SIGN STRUCTURE  
DAMPING DEVICE

MORGAN AVENUE INTERCHANGE  
FAI ROUTE 57 WITH FAU ROUTE 9718  
WILLIAMSON COUNTY  
SHEET 3 OF 9

SCALE: N/A

DATE: 3-19-2006

PLT DATE = 3/19/2006  
PLT NAME = P:\01062006\01062006.dwg  
PLT SCALE = 1/16" = 1/16" IN.  
USER NAME = dcharner

OSC-A-D

7/01/2006