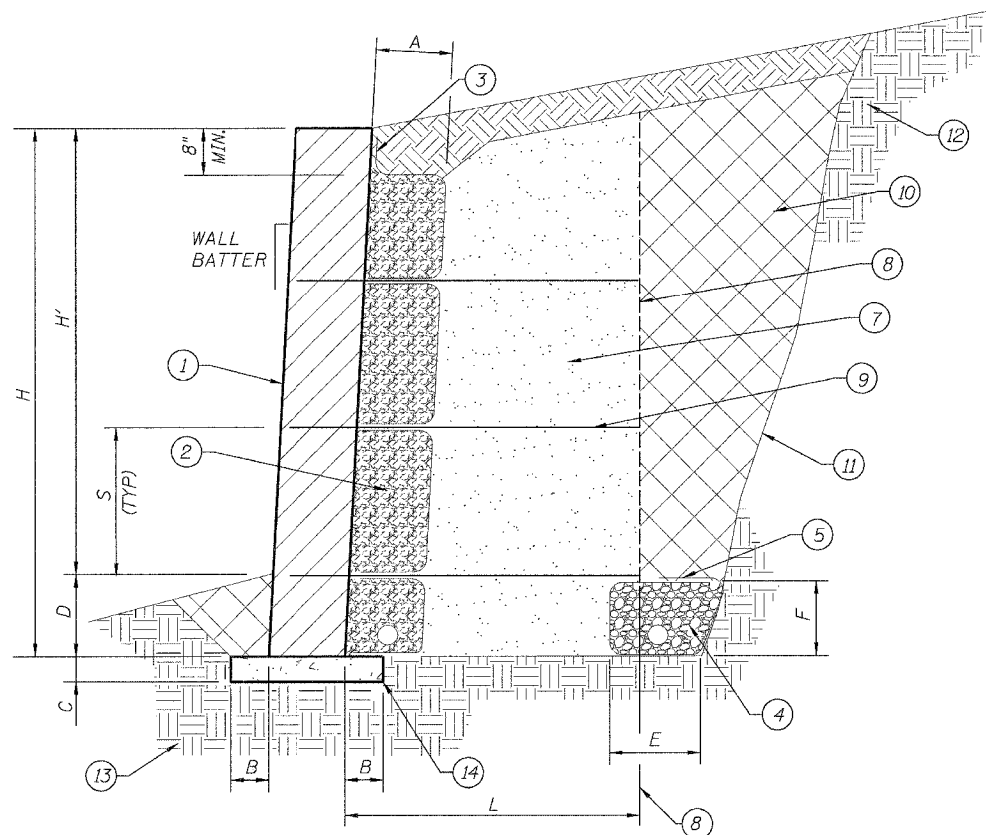
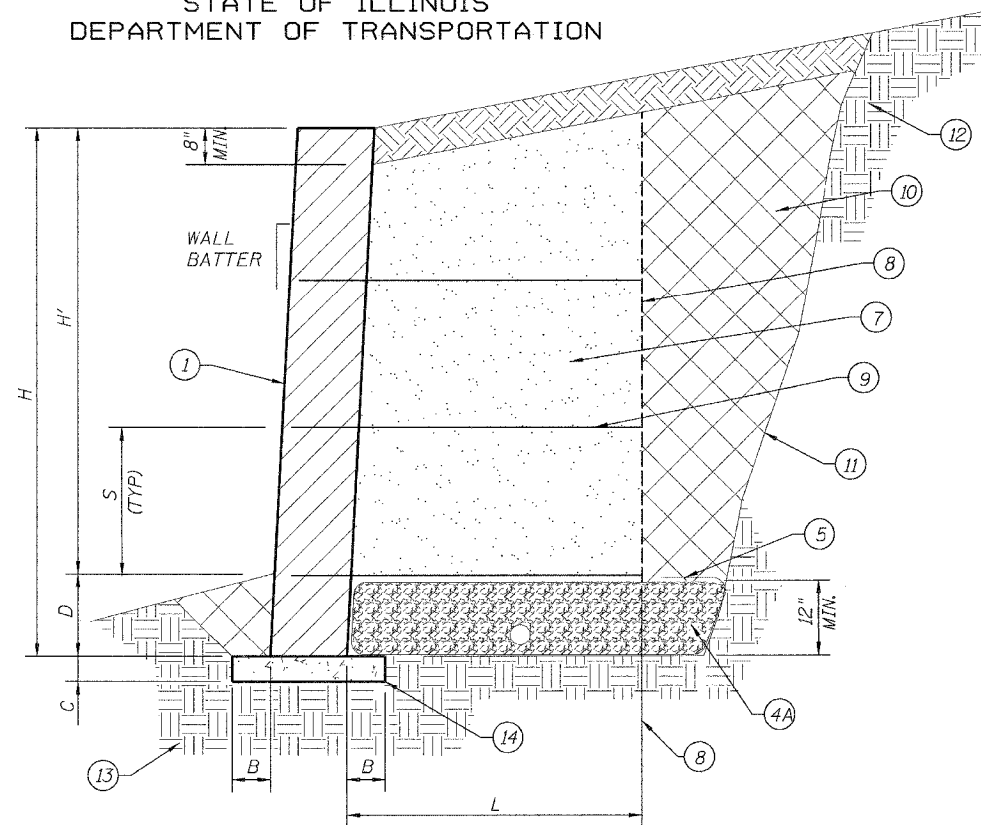


F.A.I. RTE.	SECTION	COUNTY	TOTAL SHEETS	SHEET NO.
57	(X1-6-2)HBK	WILLIAMSON	272	134
STA. TO STA.		FED. AID PROJECT		
FED. ROAD DIST. NO. 9		ILLINOIS		

STATE OF ILLINOIS  
DEPARTMENT OF TRANSPORTATION

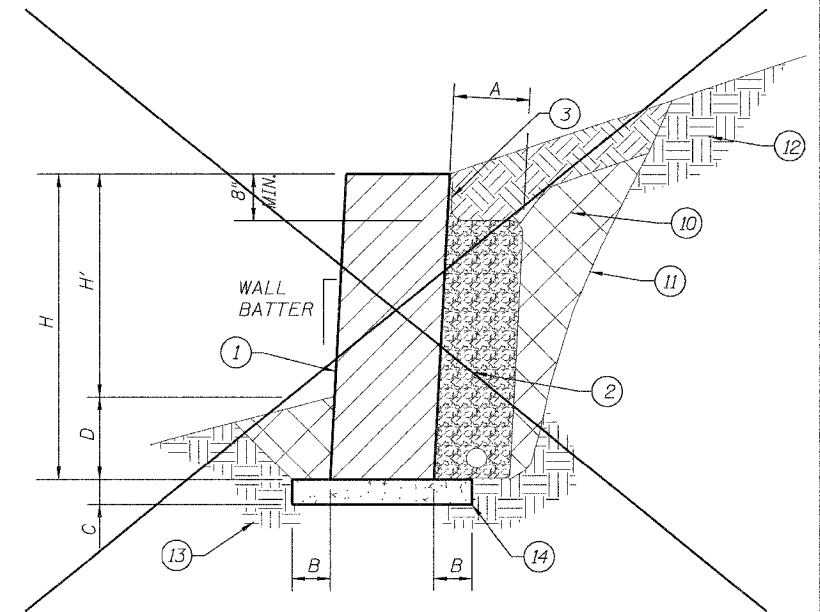


MSE SRW DRAINAGE ALTERNATIVE 1



MSE SRW DRAINAGE ALTERNATIVE 2

GENERIC MSE SRW SECTIONS



~~GENERIC SRW GRAVITY WALL SECTION~~

- GRAVITY WALL NOT PERMITTED -

GENERIC WALL SECTION DIMENSIONS	
A	12" MINIMUM, GREATER IF REQUIRED BY THE RETAINING WALL ENGINEER
B	6" MINIMUM, GREATER IF REQUIRED BY THE RETAINING WALL ENGINEER
C	6" MINIMUM, GREATER IF REQUIRED BY THE RETAINING WALL ENGINEER
D	WHICHEVER IS GREATER: 24" OR THAT SPECIFIED BY THE RETAINING WALL ENGINEER
E	18" MINIMUM, GREATER IF REQUIRED BY THE RETAINING WALL ENGINEER
F	18" MINIMUM, GREATER IF REQUIRED BY THE RETAINING WALL ENGINEER
L	13' FEET MINUS THE SRW UNIT THICKNESS
S	24" MAXIMUM
WALL BATTER	AS REQUIRED BY THE RETAINING WALL ENGINEER

SOIL DESIGN PARAMETERS			
SOIL	ANGLE OF INTERNAL FRICTION	UNIT WEIGHT (pcf)	BEARING CAPACITY (tsf)
REINFORCED BACKFILL	34°	120	N A
RETAINED FILL	28°	120	N A
FOUNDATION SOIL	26°	N A	2500

NOTE: COHESION SHALL BE ASSUMED TO BE 0 FOR RETAINED FILL AND FOUNDATION SOIL.

WALL SECTION NOTES

- ① CONCRETE SRW UNITS.
- ② SRW UNIT DRAINAGE SYSTEM SHALL CONSIST OF DRAINAGE FILL ENTIRELY WRAPPED IN FILTER FABRIC AND A 4" PERFORATED PIPE AS SHOWN.
- ③ LAP FILTER FABRIC FIRMLY AGAINST SRW UNITS AND 6" ABOVE THE DRAINAGE FILL.
- ④ MINIMUM RETAINED FILL DRAINAGE SHALL BE A 4" PERFORATED PIPE WITHIN 18"x18" DRAINAGE FILL CONTINUOUS THE ENTIRE LENGTH OF THE WALL AND ENTIRELY WRAPPED WITH FILTER FABRIC.
- ④A ALTERNATIVE 2 DRAINAGE SYSTEM SHALL CONSIST OF DRAINAGE FILL WRAPPED ENTIRELY IN FILTER FABRIC AND A 4" PERFORATED PIPE AND SHALL EXTEND FROM THE BACK OF THE SRW UNITS TO THE EXCAVATION LIMIT.
- ⑤ LAP THE FILTER FABRIC 8" MINIMUM OVER THE TOP AND AT ENDS OF ADJACENT SHEETS.
- 6 THE DRAINAGE DETAILS ARE MINIMUM REQUIREMENTS. THE RETAINING WALL ENGINEER SHALL APPROVE THE USE OF THESE MINIMUMS, OR SHALL SPECIFY DRAINAGE OF GREATER EXTENT AND CAPACITY, OR SPECIFY ITEMS IN ADDITION TO THE MINIMUMS SUCH AS DRAINAGE GEO. COMPOSITES BEHIND THE REINFORCED BACKFILL. MSE WALL DRAINAGE ALTERNATIVES MAY BE OMITTED FROM MSE WALLS WHEN THE REINFORCED BACKFILL IS DRAINAGE FILL, IS ENTIRELY WRAPPED IN FILTER FABRIC, AND CONTAINS A 4" PERFORATED DRAIN PIPE.
- ⑦ REINFORCED BACKFILL
- ⑧ LIMIT OF REINFORCED BACKFILL. ENTIRELY WRAP THE REINFORCED BACKFILL WITH FILTER FABRIC WHEN THE REINFORCED BACKFILL IS A GAP GRADED COURSE AGGREGATE AND HAS LESS THAN 30% PASSING THE NO. 4 SIEVE.
- ⑨ BACKFILL REINFORCEMENT. THE BACKFILL REINFORCEMENT SHALL BE CONTINUOUS WITHOUT GAP ALONG THE LENGTH OF WALL THAT REQUIRES BACKFILL REINFORCEMENT. THE BACKFILL REINFORCEMENT SHALL BE ONE PIECE FULL LENGTH (NO SPLICES) FROM THE POINT OF CONNECTION TO THE SRW UNITS TO THE LIMIT OF THE REINFORCED FILL BEHIND THE WALL.
- ⑩ COMPACTED EMBANKMENT, WHERE SPECIFIED BY THE RETAINING WALL ENGINEER.
- ⑪ EXCAVATION LIMITS.
- ⑫ EXISTING EMBANKMENT.
- ⑬ FOUNDATION SOIL.
- ⑭ LEVELING PAD.
- 15 ALL VOIDS IN OR BETWEEN SRW UNITS SHALL BE FILLED WITH DRAINAGE BACKFILL MATERIAL.
- 16 DRAIN PIPES SHALL BE SLOPED 1/8" PER FOOT MINIMUM AND SHALL BE DISCHARGED EVERY 100 FEET MAXIMUM AT LOW POINTS ALONG THE TOE OF THE WALL.

REVISIONS	
NAME	DATE

ILLINOIS DEPARTMENT OF TRANSPORTATION  
SEGMENTAL CONCRETE BLOCK WALL  
SECTIONS AND NOTES  
MORGAN AVENUE INTERCHANGE  
FAP ROUTE 57 WITH FAU ROUTE 9718  
WILLIAMSON COUNTY

SHEET 2 OF 2

SCALE: NONE  
DATE: 3-19-2007

DRAWN BY: KBF  
CHECKED BY: ALN