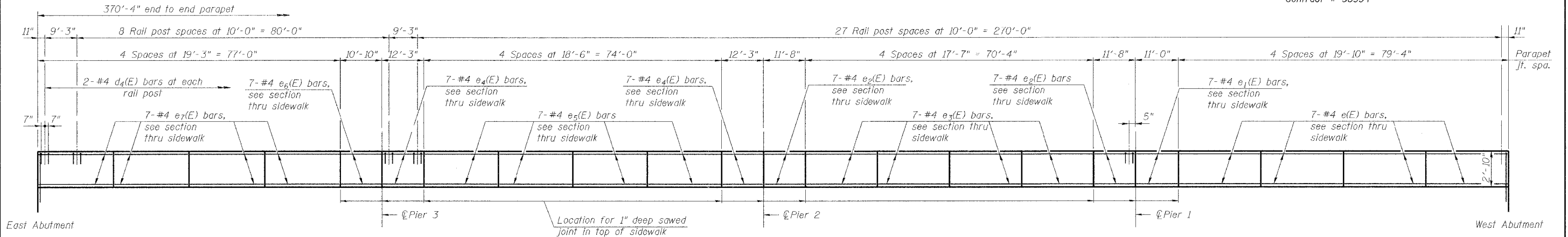


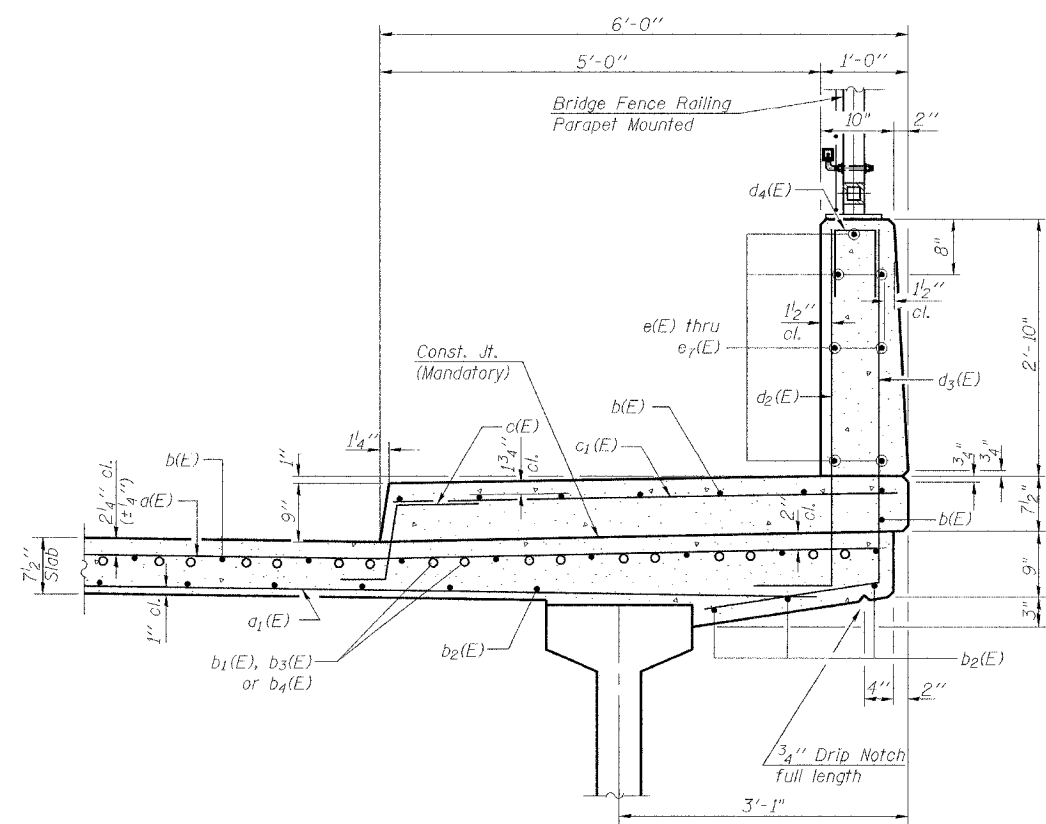
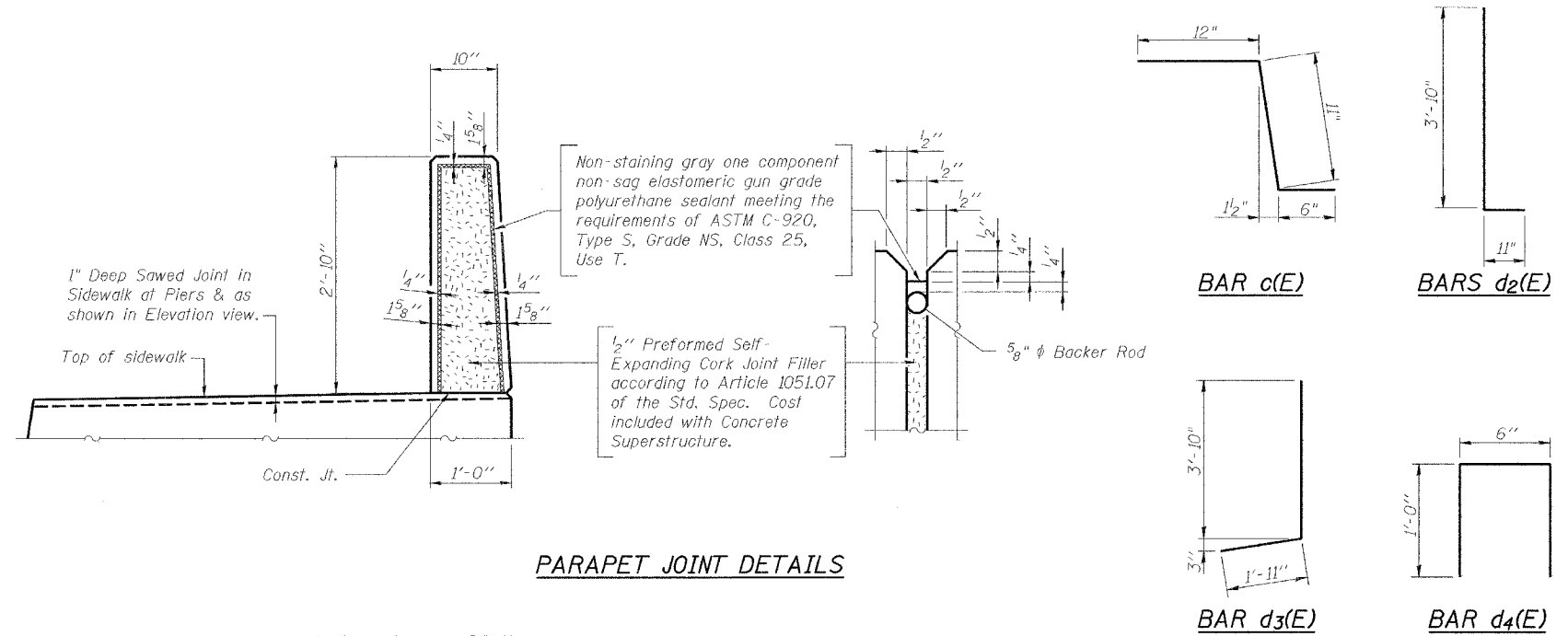
STATE OF ILLINOIS
DEPARTMENT OF TRANSPORTATION

ROUTE NO.	SECTION	COUNTY	TOTAL SHEETS	SHEET NO.
FAI 57	(X1-6-2)HBK	Williamson	272	146
FED. ROAD DIST. NO. 7		ILLINOIS	FED. AID PROJECT	

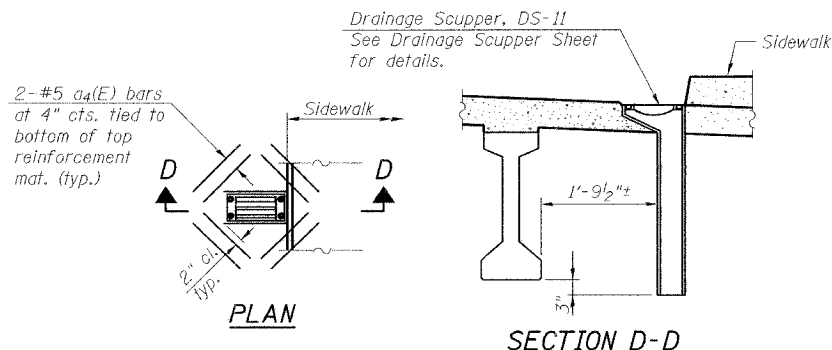
SHEET NO. 11
33 SHEETS
Contract # 98994



INSIDE ELEVATION OF SOUTH PARAPET



SECTION THRU SIDEWALK



SCUPPER DETAILS

Note:
Cut longitudinal reinforcement to clear drainage scuppers

THOUVENOT, WADE & MOERCHEN, INC.



DESIGNED	ALN
CHECKED	BWP
DRAWN	KBF
CHECKED	ALN/BWP

SUPERSTRUCTURE
MORGAN AVE. OVER I-57
FAI ROUTE 57 - SECTION (X1-6-2)HBK
WILLIAMSON COUNTY
STATION 34+69.21
STRUCTURE NO. 100-0092