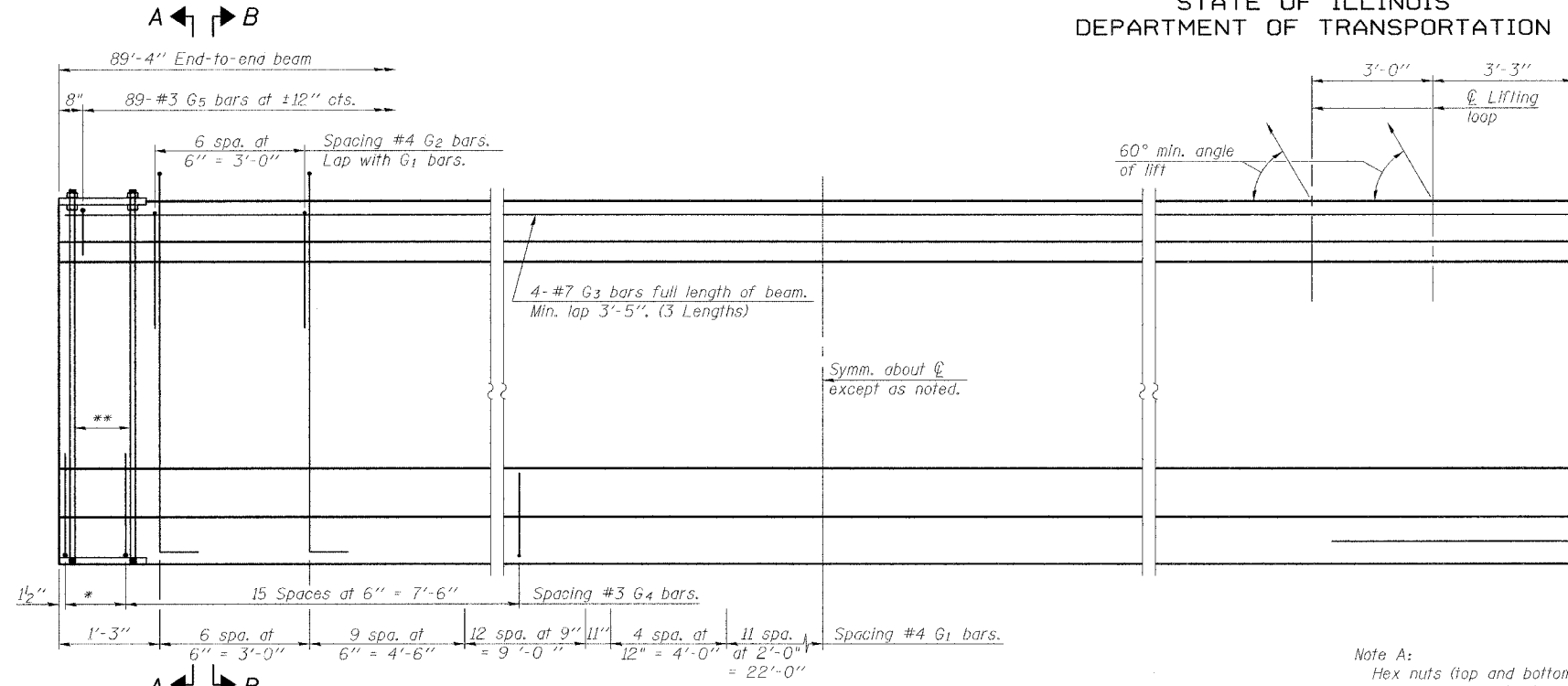


STATE OF ILLINOIS
DEPARTMENT OF TRANSPORTATION

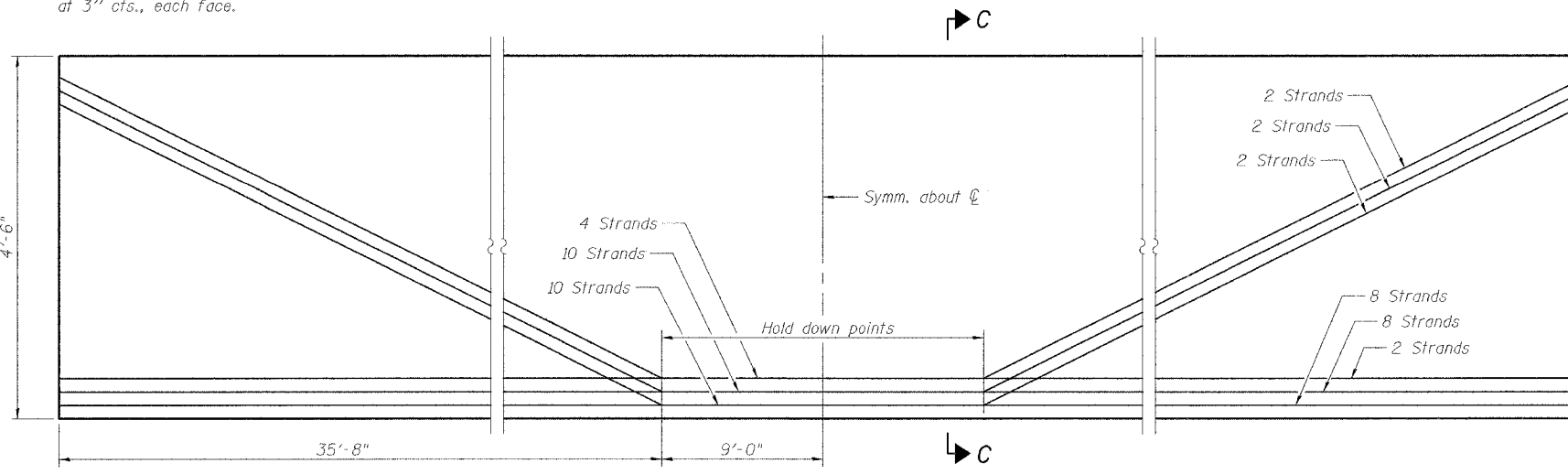
ROUTE NO.	SECTION	COUNTY	STATION	SHEET NO.	SHEET NO. 17
FAI 57	(X1-6-2)HBK	Williamson	272	152	33 SHEETS
FED. ROAD DIST. NO. 7		ILLINOIS	FED. AID PROJECT		Contract # 98994



ELEVATION OF BEAM
(Showing reinforcement & dimensions)

A ← | → B
* 3 spaces at 3" = 9"
** 4-3/4" φ threaded dowel rods at 3" cts., each face.

Note A:
Hex nuts (top and bottom) with lock washers (top). Only tighten sufficiently to compress lock washers.

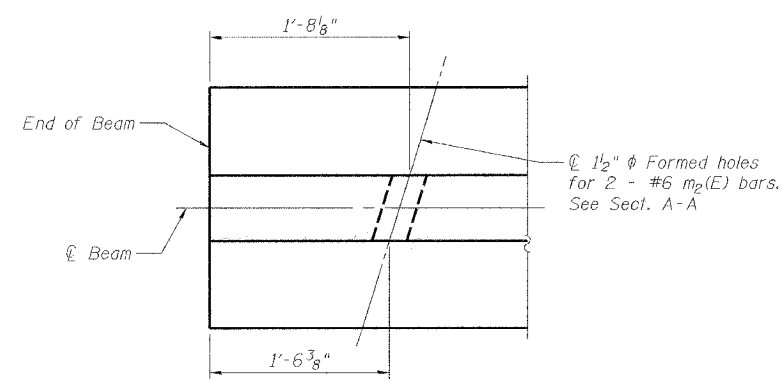


ELEVATION OF BEAM
(Showing prestressing steel)

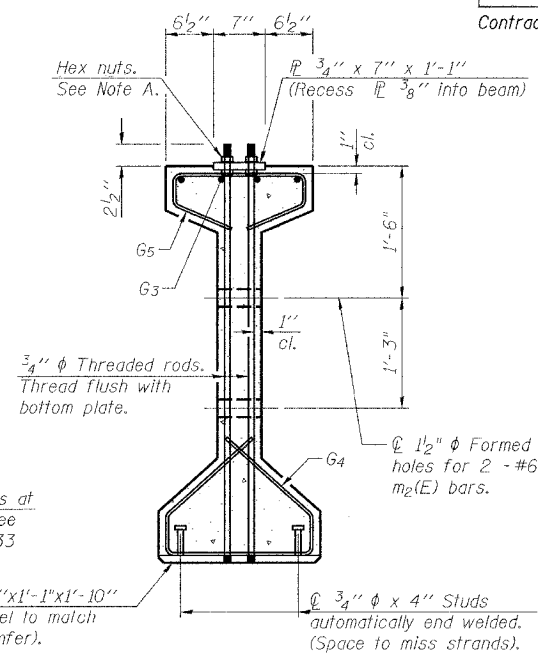
THOUVENOT, WADE & MOERCHEN, INC.



DESIGNED	ALN
CHECKED	BWP
DRAWN	KBF
CHECKED	ALN/BWP

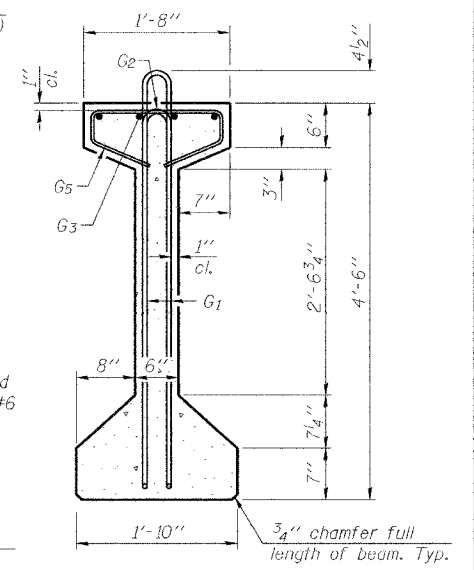


PLAN - WEST ABUTMENT

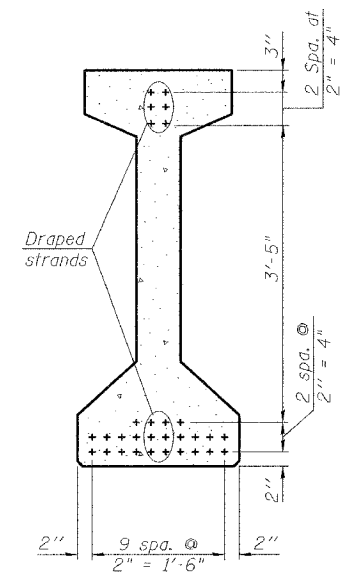


SECTION A-A

G1 bars not shown for clarity



SECTION B-B



SECTION C-C

**BAR LIST
ONE BEAM ONLY**

Bar	No.	Size	Length	Shape
G1	89	#4	10'-5"	⊔
G2	14	#4	5'-4"	⊔
G3	12	#7	32'-0"	⊔
G4	38	#3	4'-11"	⊔
G5	89	#3	3'-5"	⊔
G6	2	#8	3'-9"	⊔

Notes:
See sheet 21 of 33 for additional details and Bill of Material.
Required release strength, f'ci, shall be 5000 psi.

54" PPC I-BEAM - SPAN 1
MORGAN AVE. OVER I-57
FAI ROUTE 57 - SECTION (X1-6-2)HBK
WILLIAMSON COUNTY
STATION 34+69.21
STRUCTURE NO. 100-0092