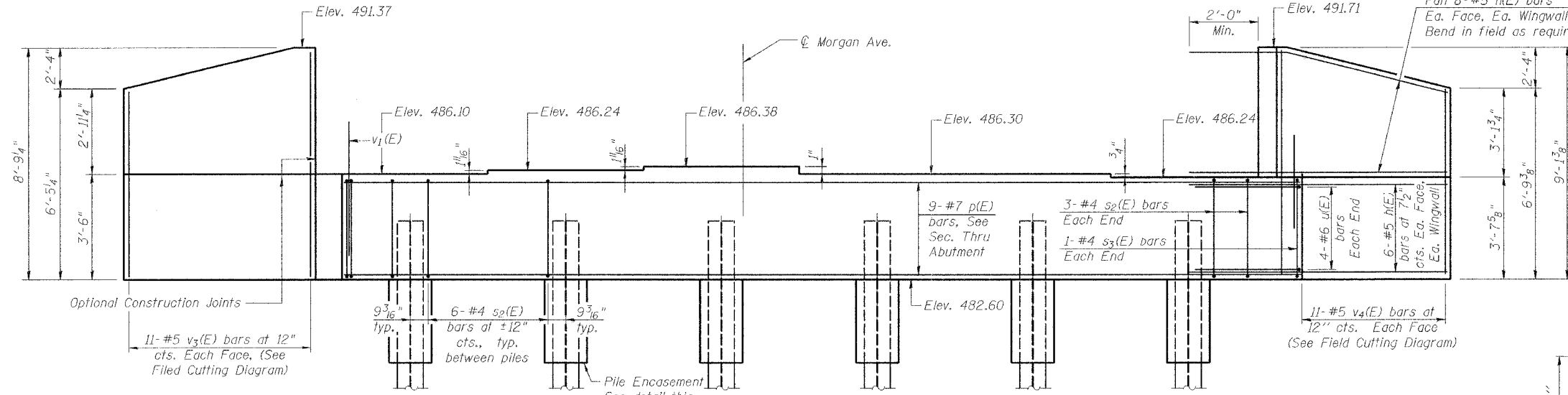


STATE OF ILLINOIS  
DEPARTMENT OF TRANSPORTATION

ROUTE NO.	SECTION	COUNTY	SHEET	SHEET NO.
FAI 57	(X1-6-2)HBK	Williamson	272	158
FED. ROAD DIST. NO. 7		ILLINOIS	PROJECT	

Contract # 98994

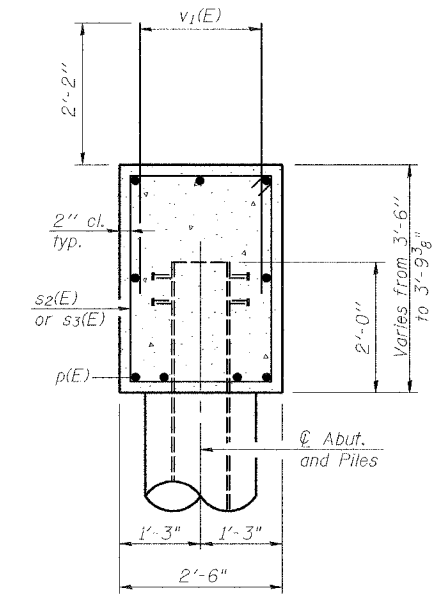
Notes: Four steps monolithically with cap.  
Reinforcement bars designated (E)  
shall be epoxy coated.



**ELEVATION**  
(Looking East)

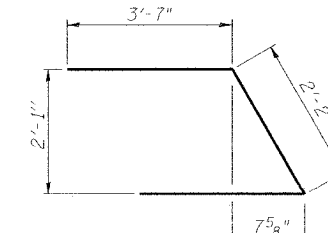
**PILE DATA**

Type: Steel HP12x63  
Nominal Required Bearing: 496 kips  
Allowable Resistance Available: 166 kips  
Est. Length: 21 feet  
No. Production Piles: 5  
No. Test Piles: 1



**SEC. THRU ABUT.**

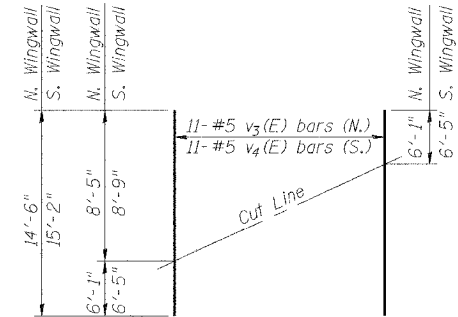
**BARS s2(E) & s3(E)**



**BAR u(E)**

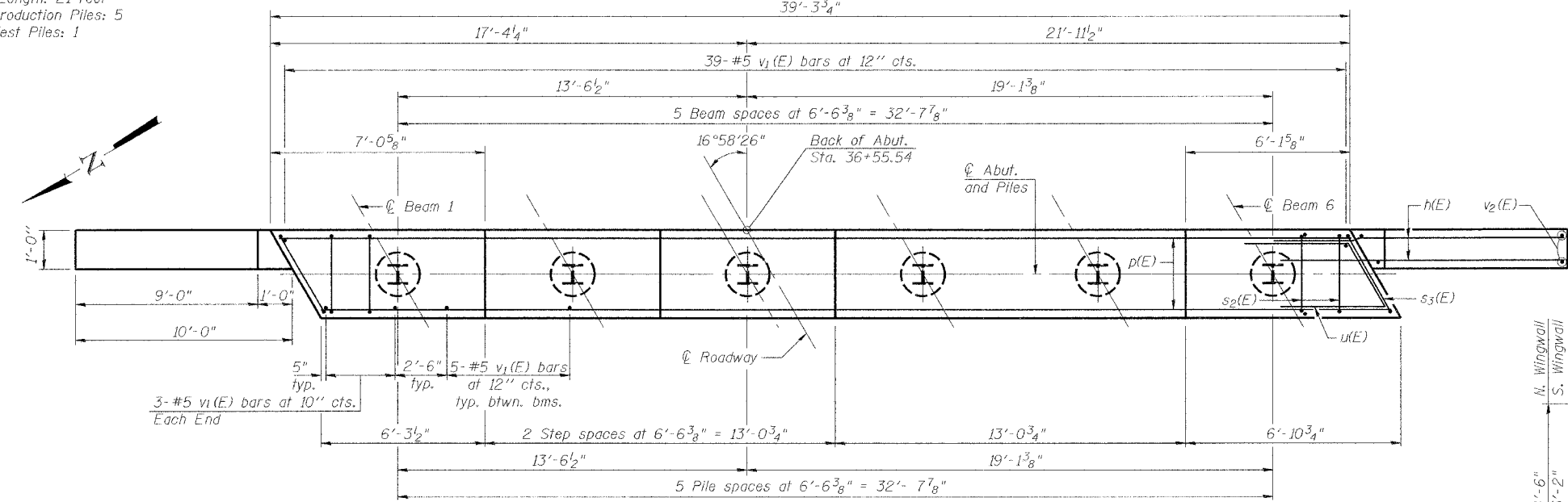
**BILL OF MATERIAL**

Bar	No.	Size	Length	Shape
h(E)	56	#5	12'-0"	—
p(E)	9	#7	38'-11"	—
s2(E)	36	#4	11'-5"	□
s3(E)	2	#4	11'-7"	□
u(E)	8	#6	9'-4"	└
v1(E)	70	#5	4'-4"	—
v3(E)	11	#5	14'-6"	—
v4(E)	11	#5	15'-2"	—
Concrete Structures		Cu. Yd.	20.5	
Reinforcement Bars, Epoxy Coated		Pound	2110	
Structure Excavation		Cu. Yd.	98.1	
Furnishing Steel Piles, HP12x63		Foot	105	
Test Piles, Steel HP12x63		Each	1	
Driving Piles		Foot	105	
Concrete Encasement		Cu. Yd.	2.0	



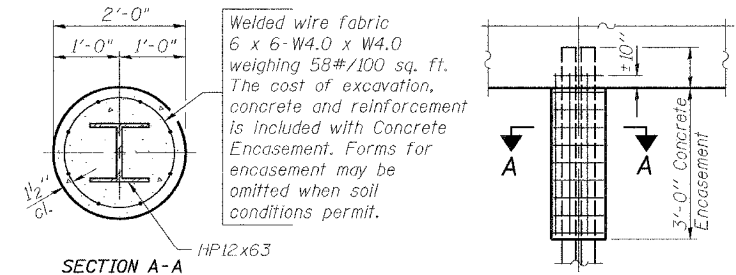
**FIELD CUTTING DIAGRAM**

Order v3(E) and v4(E) full length.  
Cut as shown and use remainder of bars in opposite face.

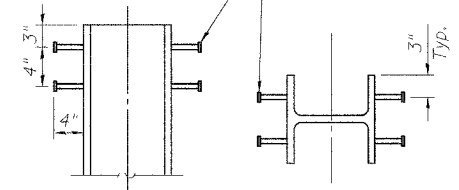


**PLAN**

3/4" Granular or solid flux filled headed studs automatically end welded to flange. See Article 505.0B of the Standard Specifications. Cost of studs included in cost of Furnishing Steel Piles HP 12x63 (48 total each abutment)



**PILE ENCASEMENT DETAIL**



**PILE ANCHORAGE DETAIL**

THOUVENOT, WADE & MOERCHEN, INC.



DESIGNED	BWP
CHECKED	ALN
DRAWN	KBF
CHECKED	ALN/BWP

AI-L 10-22-04

**EAST ABUTMENT**  
MORGAN AVE. OVER I-57  
FAI ROUTE 57 - SECTION (X1-6-2)HBK  
WILLIAMSON COUNTY  
STATION 34+69.21  
STRUCTURE NO. 100-0092