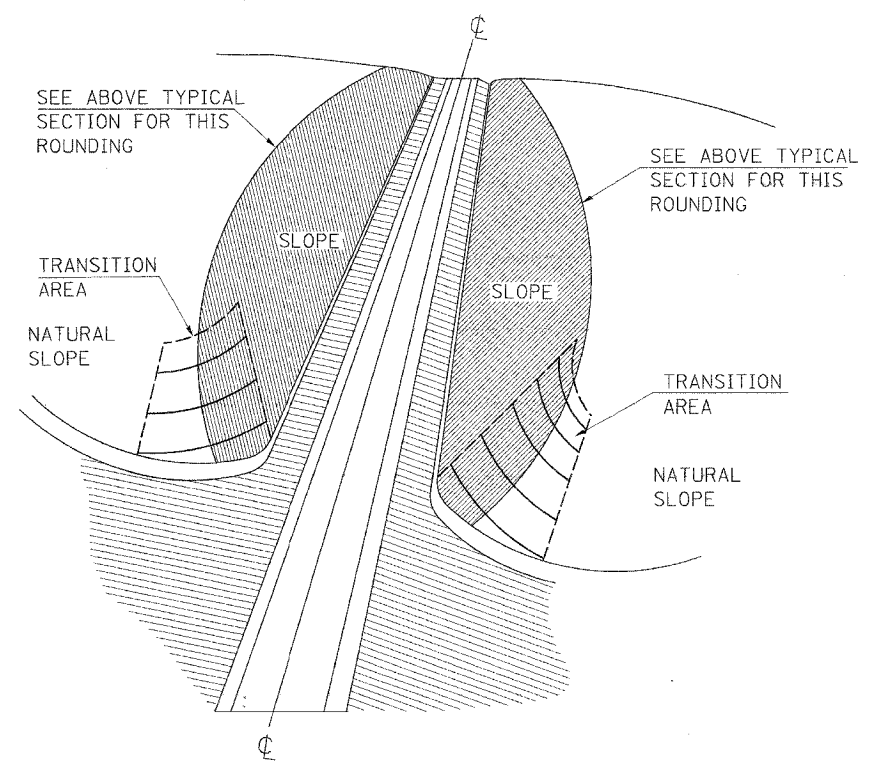


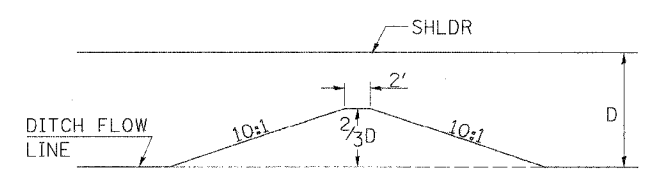
LENGTH OF ROUNDING AT TOP OF SLOPE $1\frac{1}{2}$ TIMES HEIGHT "H" (CUT IN FEET) OR TO R.O.W. LINE

SECTION SHOWING TRANSITIONS OF PROPOSED SLOPES

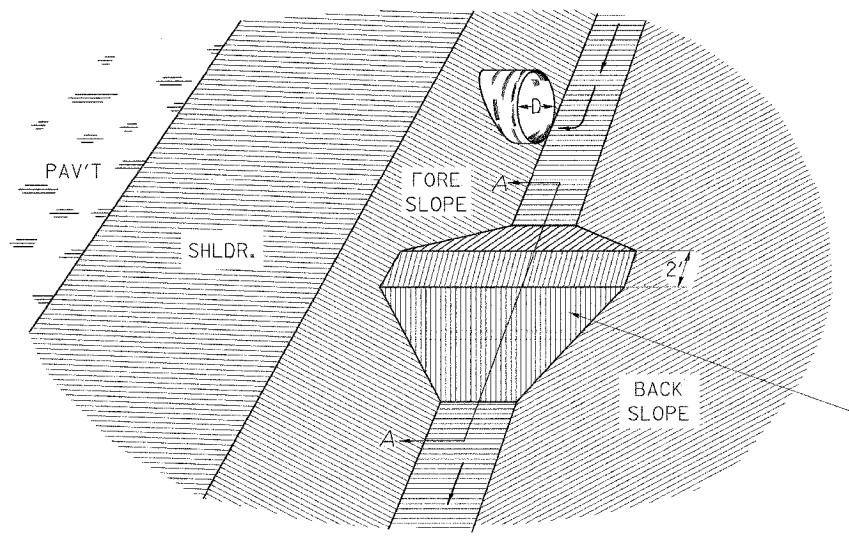


DETAIL OF SLOPE TO NATURAL GROUND TRANSITION

NOTE:
DITCH PLUG TO BE CONSTRUCTED AS DIRECTED BY THE ENGINEER, INCLUDED IN THE EARTH EXCAVATION



SECTION A-A



DITCH PLUG DETAIL

EARTH DITCH PLUG TO BE CONSTRUCTED AT LOCATIONS SHOWN ON THE PLANS OR AS DIRECTED BY THE ENGINEER, AND TO BE CONSIDERED INCLUDED IN THE EARTH EXCAVATION.

TRANSITION GRADING

TRANSITION GRADING BETWEEN CUT AND FILL SLOPES AND BETWEEN CUT SLOPES AND NATURAL GROUND WILL BE REQUIRED ON THIS IMPROVEMENT. THE TRANSITION SHALL BE ROUNDED AND STREAMLINED IN ORDER TO BLEND THE CUT SLOPES AND THE FILL SLOPES INTO EACH OTHER AND INTO THE ADJACENT TERRAIN. THE SLOPES AS SHOWN ON THE CROSS SECTIONS IN THESE PLANS MAY BE VARIED SOMEWHAT IN THE TRANSITION AREAS AS DIRECTED BY THE ENGINEER IN ORDER TO MEET THIS GRADING REQUIREMENT. THE QUANTITIES OF EARTH EXCAVATION INVOLVED ARE INCLUDED IN THE BALANCE QUANTITIES SHOWN ON THE PLANS AND NO OTHER COMPENSATION WILL BE ALLOWED.

TYPICAL SECTIONS OF TRANSITIONS OF SLOPES AND INCIDENTAL GRADING	
STANDARD	9-17

REVISIONS	
REDRAWN	2-15-89
REVISED	
REVISED	
REVISED	

STD. 9-17