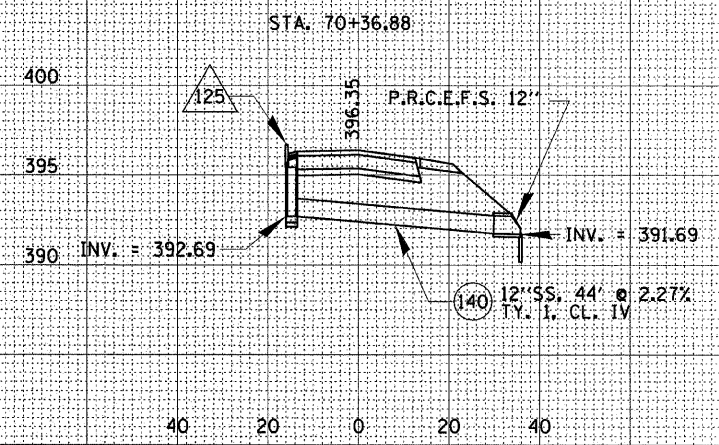
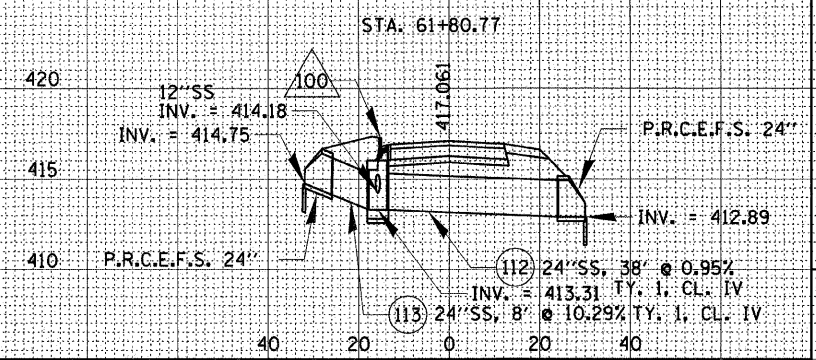
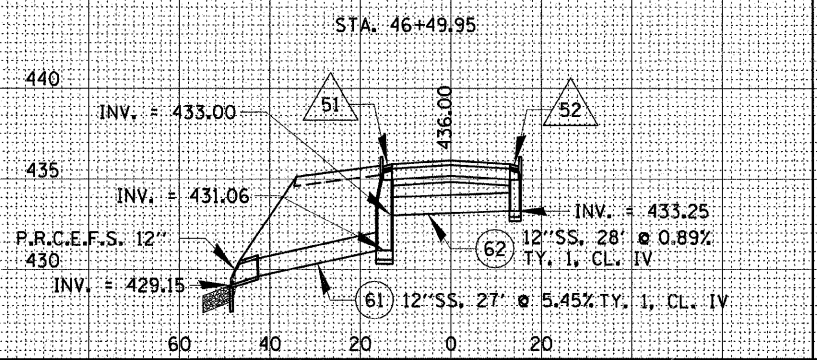


NOTE:  
PROFILES ARE SHOWN  
ALONG STORM SEWER RUNS



DATE

BY

ORIGINAL SURVEY

DATE

BY

FINAL SURVEY

DATE

BY

PLOTTED

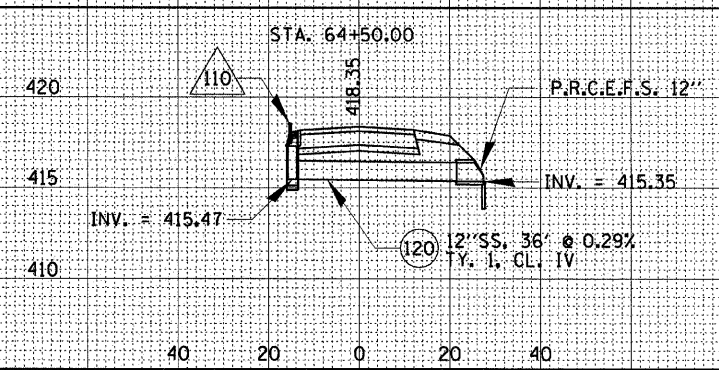
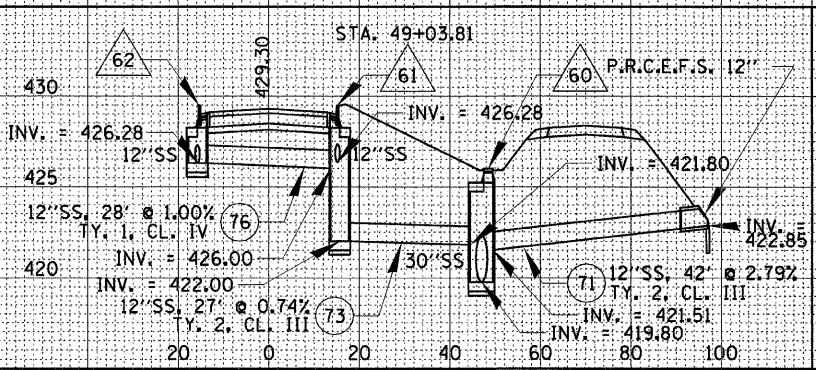
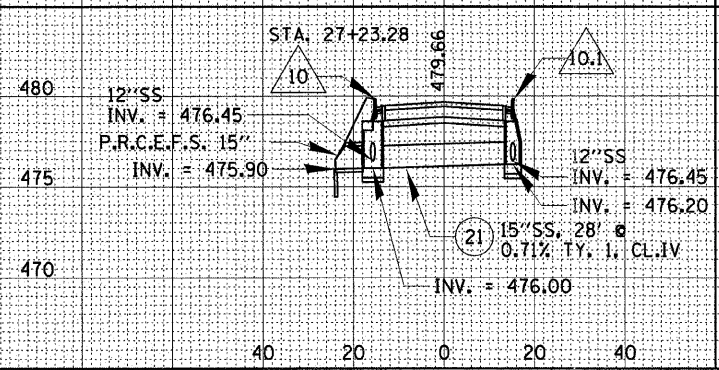
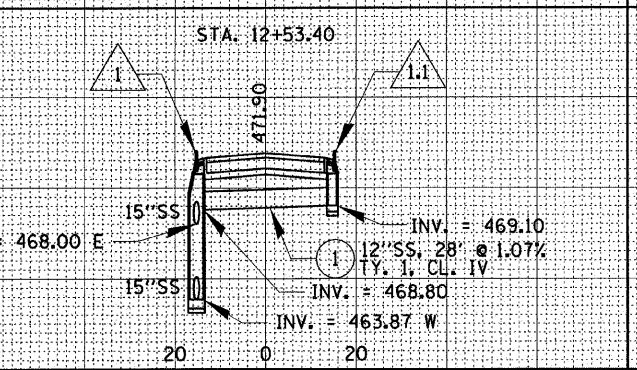
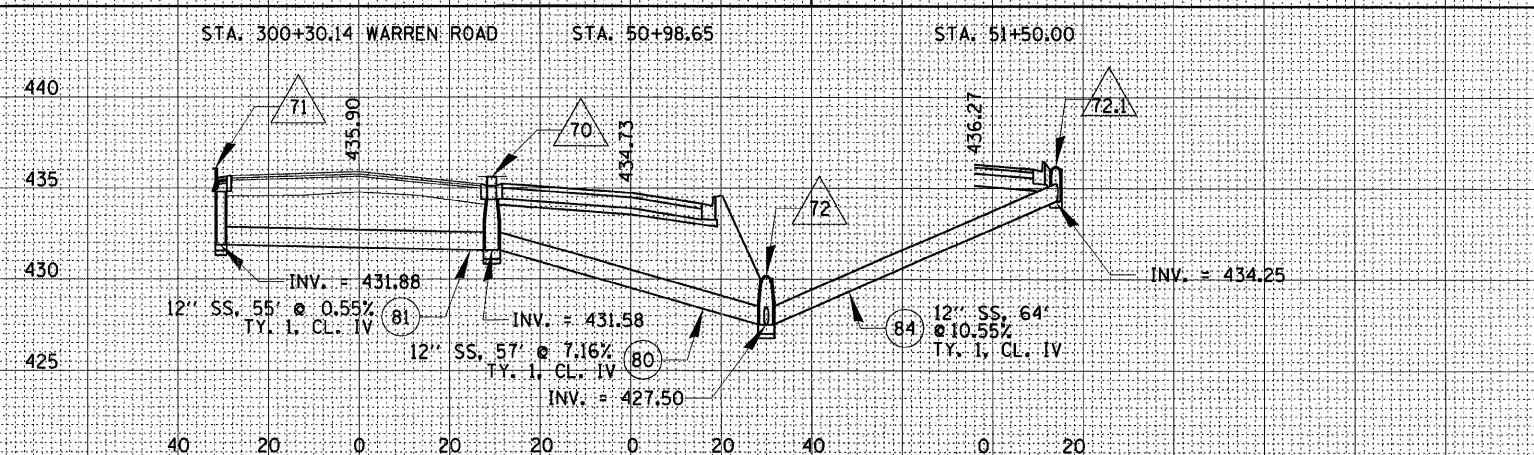
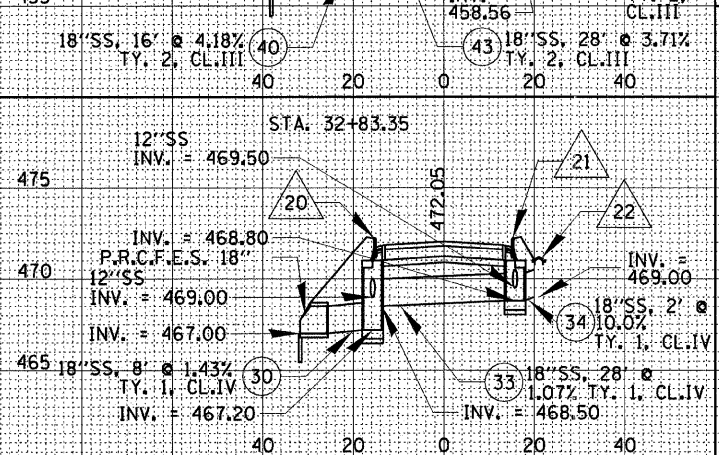
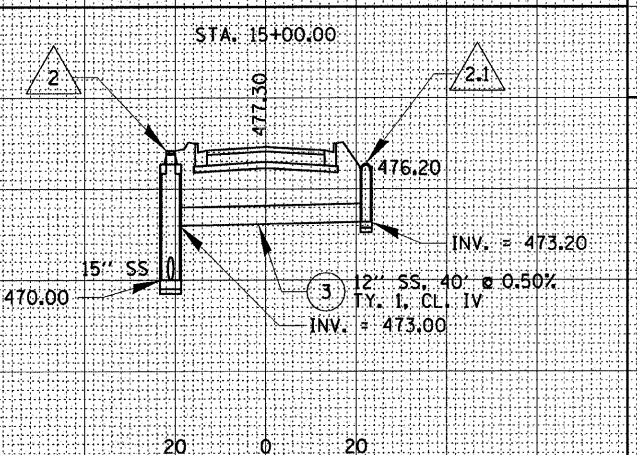
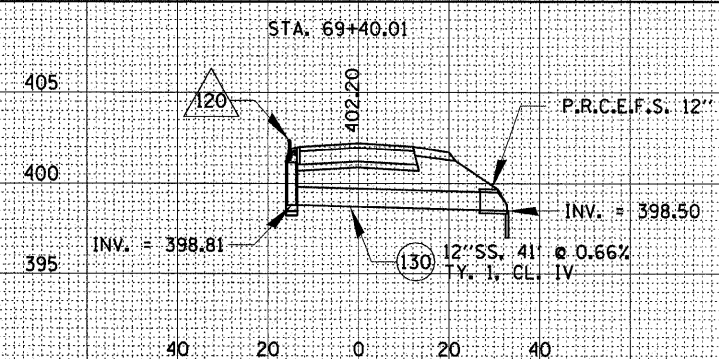
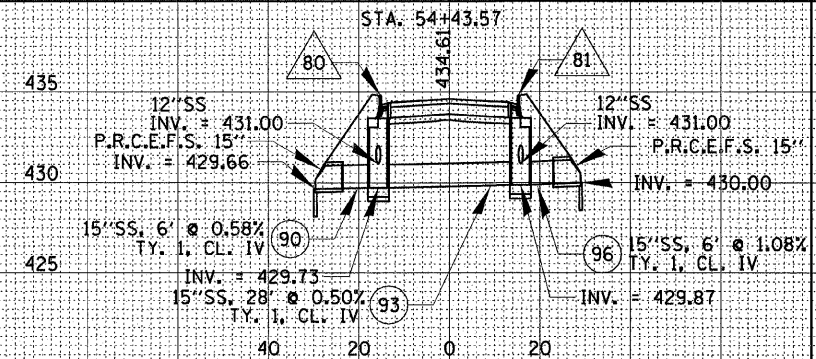
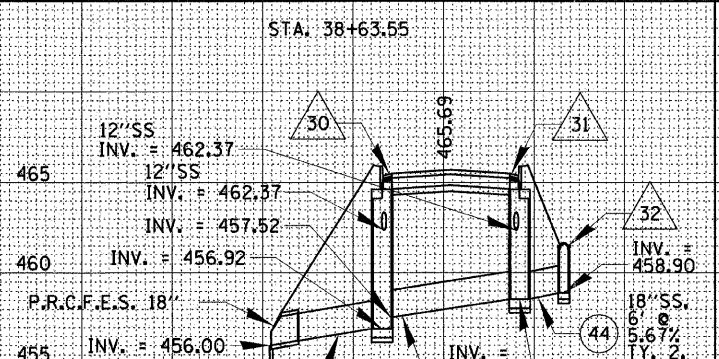
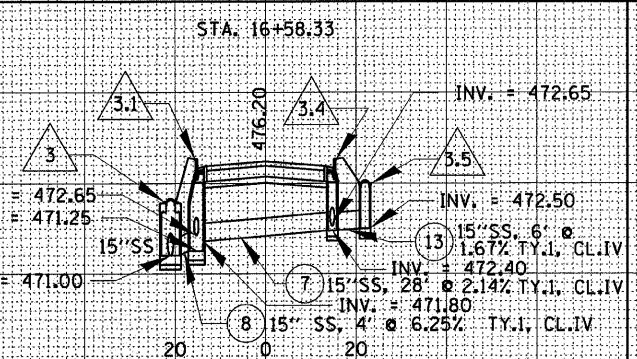
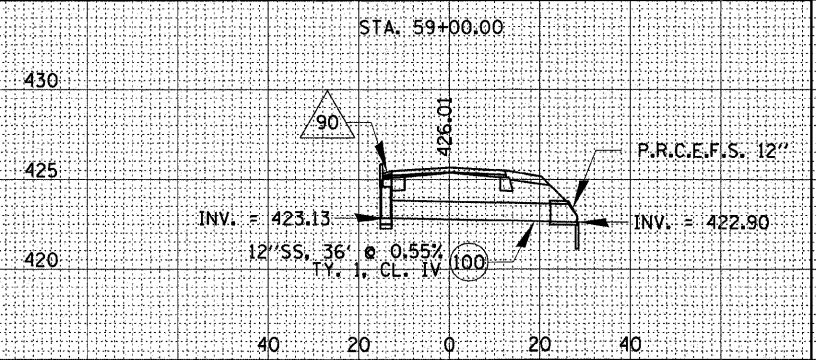
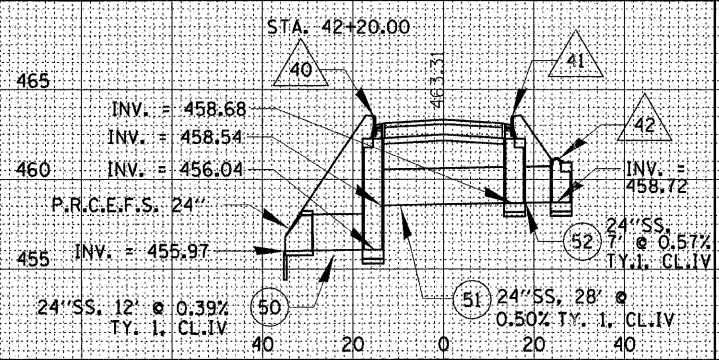
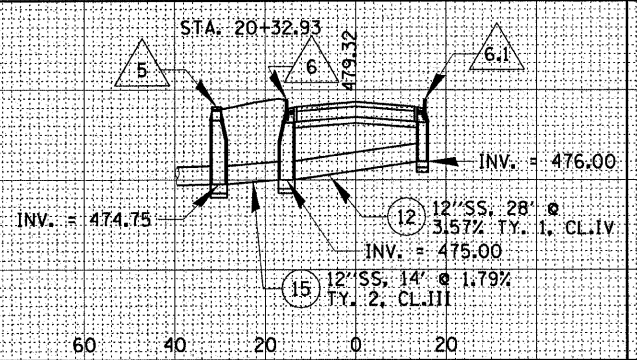
DATE

BY

NOTE BOOK

NO.

AREAS CHECKED



DATE

BY

ORIGINAL SURVEY

DATE

BY

FINAL SURVEY

DATE

BY

PLOTTED

DATE

BY

NOTE BOOK

NO.

AREAS CHECKED