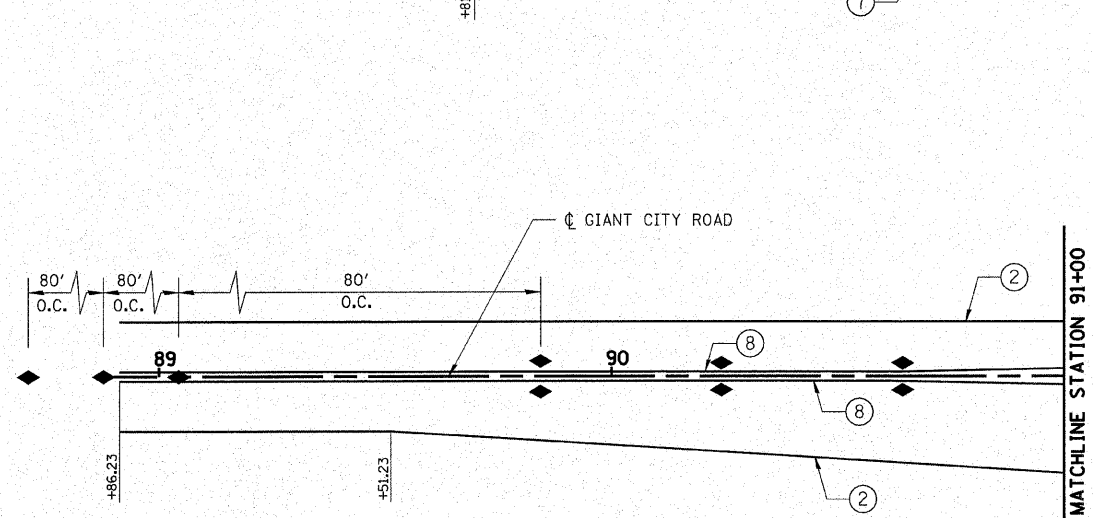
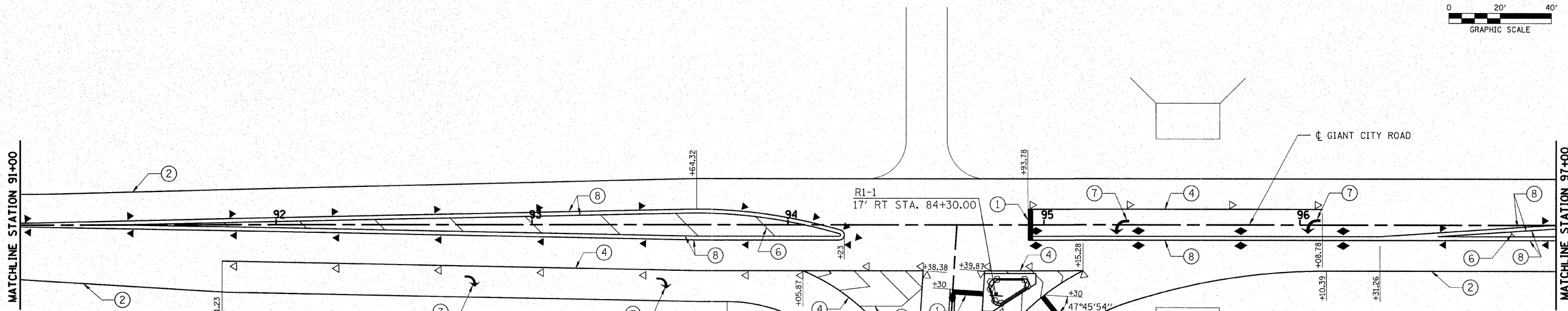
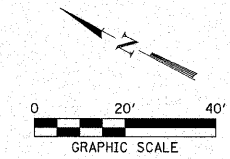
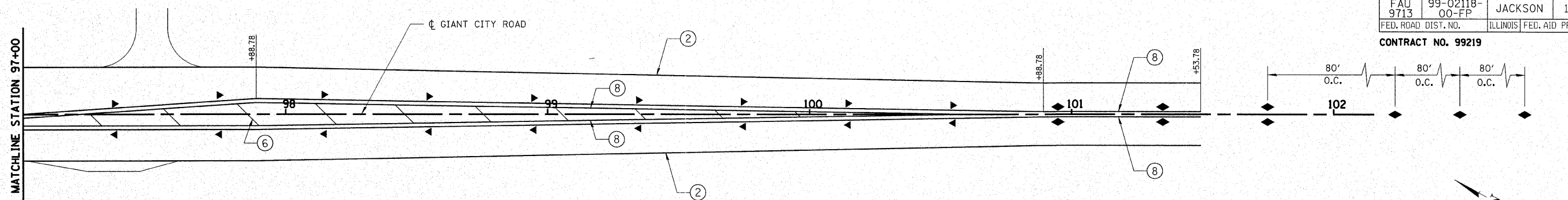


ROUTE	SECTION	COUNTY	TOTAL SHEETS	SHEET NO.
FAU 9713	99-02118-00-FP	JACKSON	122	44
FED. ROAD DIST. NO.		ILLINOIS FED. AID PROJECT-		

CONTRACT NO. 99219



- R1-1 (30"X30")
- R1-2 (36")
- RAISED REFLECTIVE PAVEMENT MARKERS AMBER TWO-WAY
- RAISED REFLECTIVE PAVEMENT MARKERS AMBER ONE-WAY
- RAISED REFLECTIVE PAVEMENT MARKERS CRYSTAL ONE-WAY
- PRISMATIC CURB REFLECTORS

- LEGEND**
- ① THERMOPLASTIC PAVEMENT MARKING - LINE 24" (WHITE STOP LINE)
  - ② PAINT PAVEMENT MARKING - LINE 4" (WHITE EDGE LINE)
  - ③ PAINT PAVEMENT MARKING - LINE 4" YELLOW
  - ④ THERMOPLASTIC PAVEMENT MARKING - LINE 4" (WHITE SOLID TURN LANE LINE)
  - ⑤ THERMOPLASTIC PAVEMENT MARKING - LINE 12" (WHITE SOLID DIAGONAL @ 10' CENTERS)
  - ⑥ THERMOPLASTIC PAVEMENT MARKING - LINE 12" (YELLOW SOLID DIAGONAL @ 30' CENTERS)
  - ⑦ THERMOPLASTIC PAVEMENT MARKING LETTERS & SYMBOLS
  - ⑧ THERMOPLASTIC PAVEMENT MARKING - LINE 4" YELLOW

**HLR**  
 Rice, Berry and Associates  
 A Division of Hampton, Lenzini and Renwick, Inc.  
 Civil & Structural Engineers  
 801 S. Durkin Drive Springfield, Illinois 62704  
 217-546-3400  
 Account Number 03-47-0001-1  
 Date: 10-04-06  
 DESIGNED: L.F.S. CHECKED: S.W.M. DRAWN: W.J.S.

**PAVEMENT MARKING PLAN**  
 SECTION 99-02118-00-FP  
 F.A.U. 9713 / EAST PLEASANT HILL ROAD  
 JACKSON COUNTY