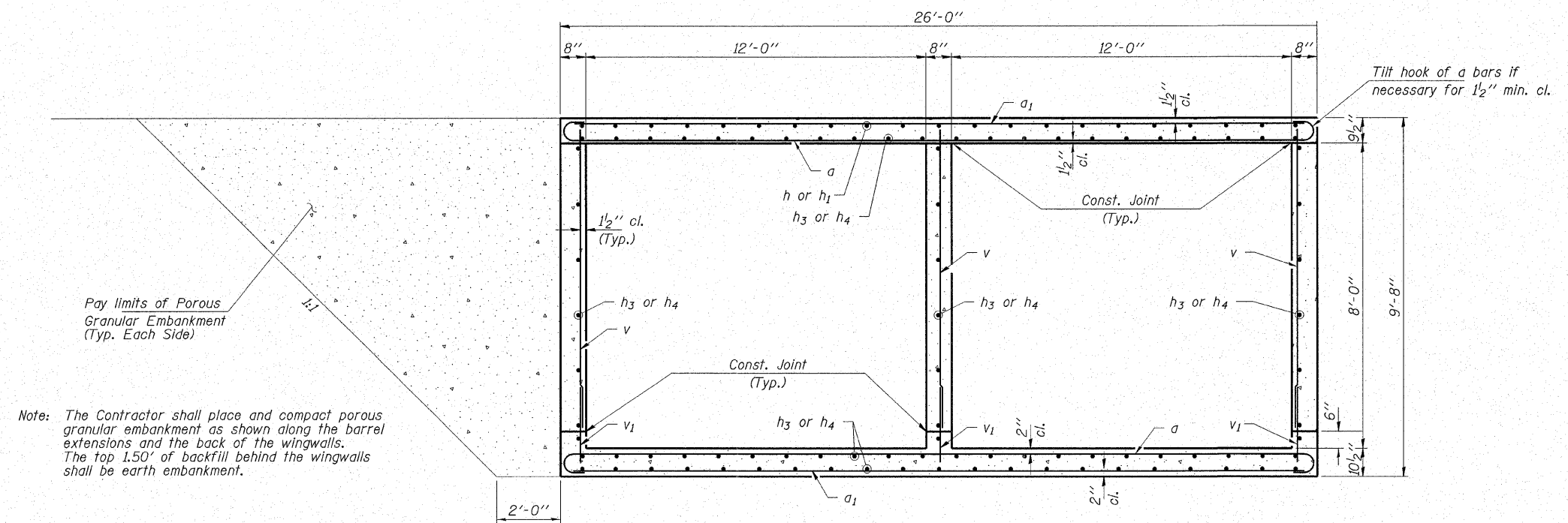
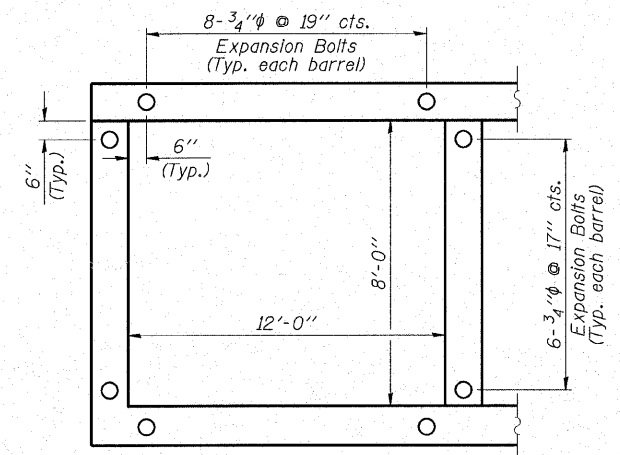


CONTRACT NO. 99219



SECTION THRU BARREL

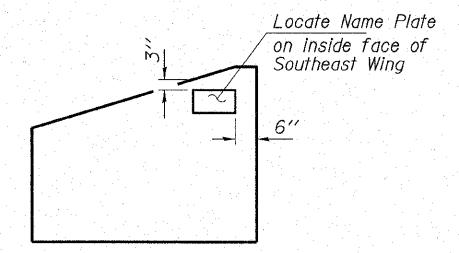


CROSS SECTION SHOWING EXPANSION BOLTS

Note: Expansion bolts shall be 3/4" hooked bolts. Hooked bolts shall extend a minimum of 9" into new concrete.

F.A.S. 919 / C.H. 12
 REBUILT 200_ BY
 JACKSON COUNTY
 SECTION 99-02118-00-FP
 F.A. PROJ. M-HPD-024(K96)
 STR. NO. 039-5001
 LOADING HS 20

NAME PLATE
 See Std. 515001



NAME PLATE LOCATION

WATERWAY INFORMATION

Drainage Area = 0.8 Sq. Mi.		Low Grade Elev. 394.97 @ Sta. 96+80.00							
Flood	Freq. Yr.	Q C.F.S.	Opening Sq. Ft. Exist.	Opening Sq. Ft. Prop.	Natural H.W.E. Exist.	Head - Ft. Exist.	Head - Ft. Prop.	Headwater El. Exist.	Headwater El. Prop.
Design	30	650	165	165	386.7	0.3	0.3	387.0	387.0
Base	100	180	180	180	387.5	0.5	0.5	388.0	388.0
Overtopping									
Max. Calc.	500	1100	190	190	388.4	0.8	0.8	389.2	389.2

HAMPTON, LENZINI & RENWICK, INC.
 CIVIL & STRUCTURAL ENGINEERS

3085 STEVENSON DRIVE, SUITE 201
 SPRINGFIELD, ILLINOIS 62703
 (217) 548-3400

ELGIN • SPRINGFIELD

PROJECT NUMBER: 03-47-0001-1 DATE: 09/28/06
 DESIGNED: S.W.M. CHECKED: T.P.L. DRAWN: D.B.

CULVERT DETAILS
 SECTION 99-02118-00-FP
 F.A.U. 9713 / EAST PLEASANT HILL ROAD
 JACKSON COUNTY
 STRUCTURE NO. 039-5001 / STATION 95+56.18