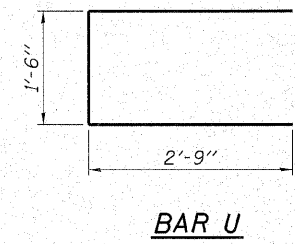
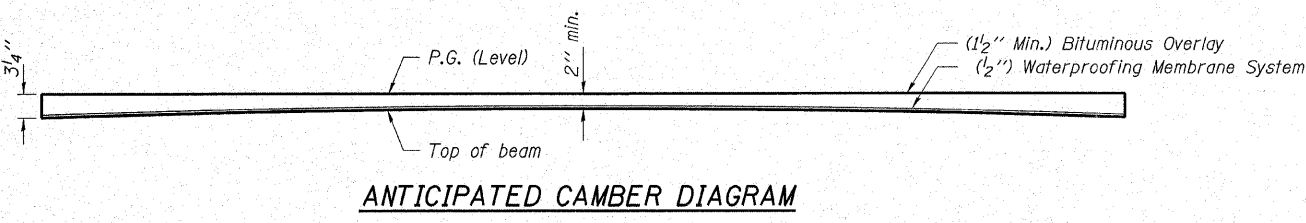
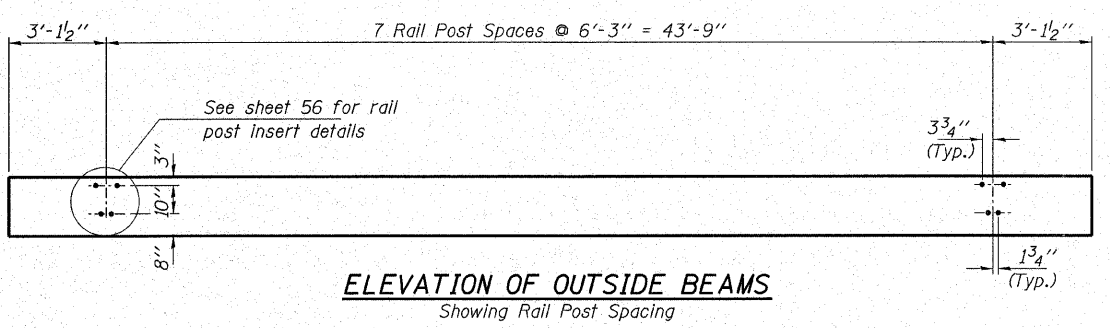
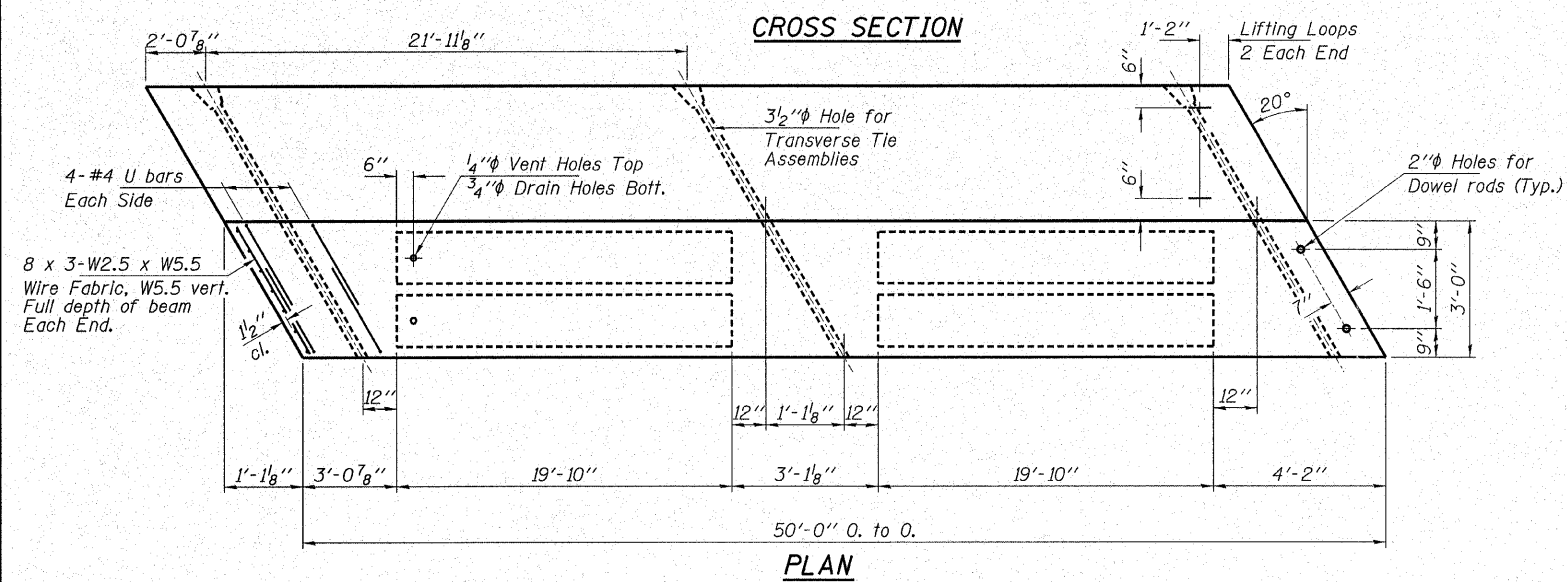
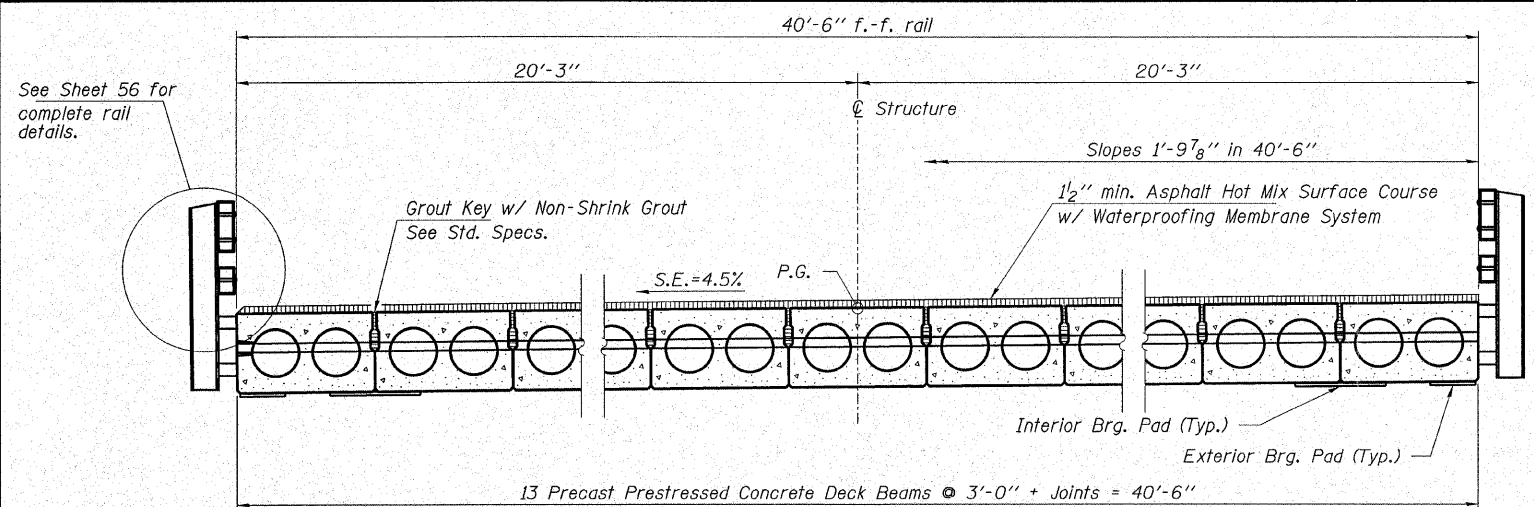
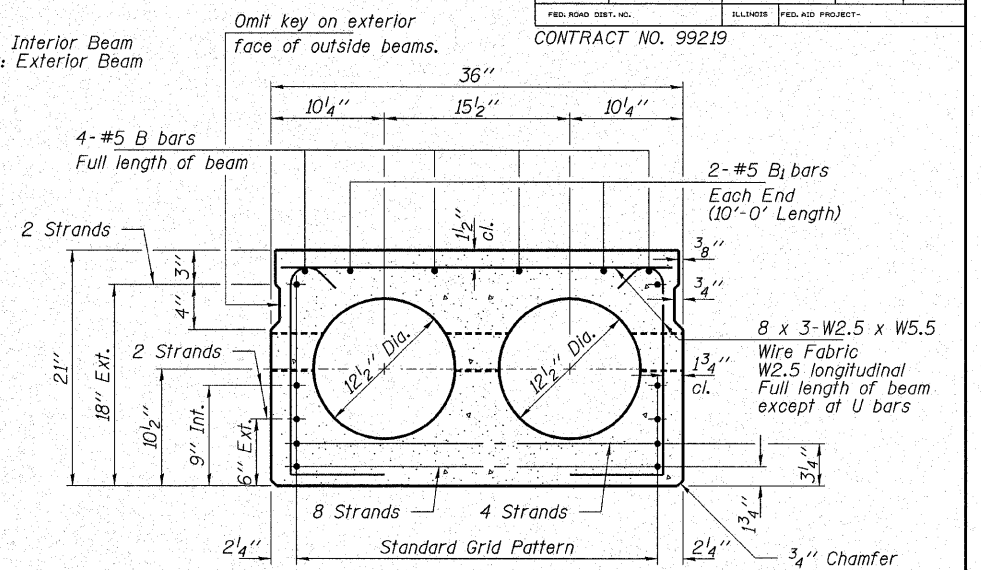


ROUTE NO.	SECTION	COUNTY	TOTAL SHEETS	SHEET NO.
FAU 9713	99-02118-00-FP	JACKSON	122	55
FED. ROAD DIST. NO.		ILLINOIS	FED. AID PROJECT-	

CONTRACT NO. 99219



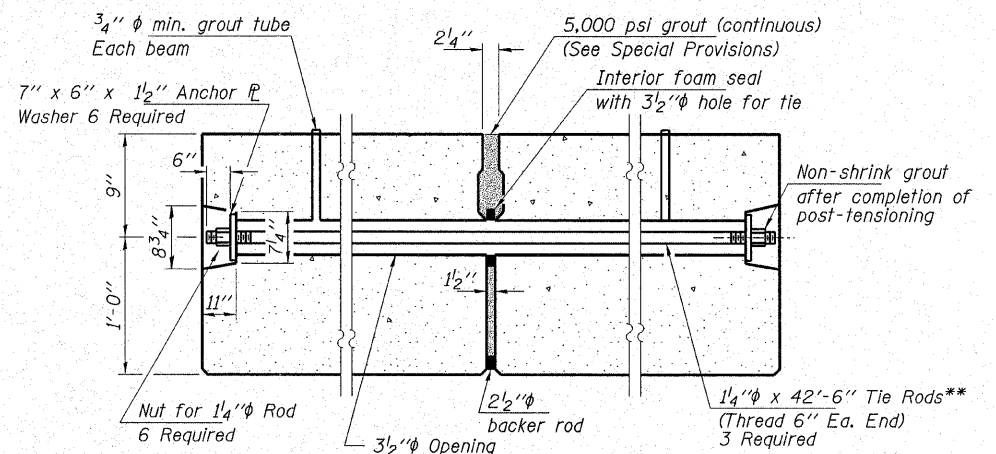
Int: Interior Beam  
Ext: Exterior Beam



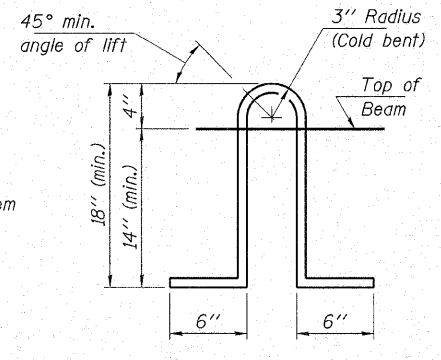
Note: Place strands symmetrically about center of beam.

**Interior Beam (1)**  
14-1/2" Strands, Each Strand Stressed to 30,900 Lbs.  
8-Strands 1 3/4" up, 4-Strands 3 1/4" up, 2-Strands 9" up

**Exterior Beam (2)**  
16-1/2" Strands, Each Strand Stressed to 30,900 Lbs.  
8-Strands 1 3/4" up, 4-Strands 3 1/4" up, 2-Strands 6" up, 2-Strands 18" up



Note: See sheet 54 for General Notes and Superstructure Details.



**BILL OF MATERIAL**

ITEM	UNIT	QUANTITY
Precast Prestressed Concrete Deck Beams (21" Depth)	Sq. Ft.	1,950
Waterproofing Membrane System	Sq. Yd.	231
P.C. Mortar Fairing Course	Foot	150
Hot Mix Asphalt Surface Course	Ton	20
* Leveling Binder, (Machine Method)	Ton	5

\* Hot-Mix Asphalt Surf. Cse. may be substituted for Leveling Binder.  
\*\* Tie Rod length shall be verified by fabricator in shop drawings.

**HAMPTON, LENZINI & RENWICK, INC.**  
CIVIL & STRUCTURAL ENGINEERS

3085 STEVENSON DRIVE, SUITE 201  
SPRINGFIELD, ILLINOIS 62703  
(217) 546-3400

**ELGIN • SPRINGFIELD**

PROJECT NUMBER: 03-47-0001-1      DATE: 02/05/07  
DESIGNED: S.M.S.      CHECKED: S.W.M.      DRAWN: D.B.

**SUPERSTRUCTURE**  
SECTION 99-02118-00-FP  
F.A.U. 9713 / EAST PLEASANT HILL ROAD  
JACKSON COUNTY  
STRUCTURE NO. 039-3254 / STATION 80+95