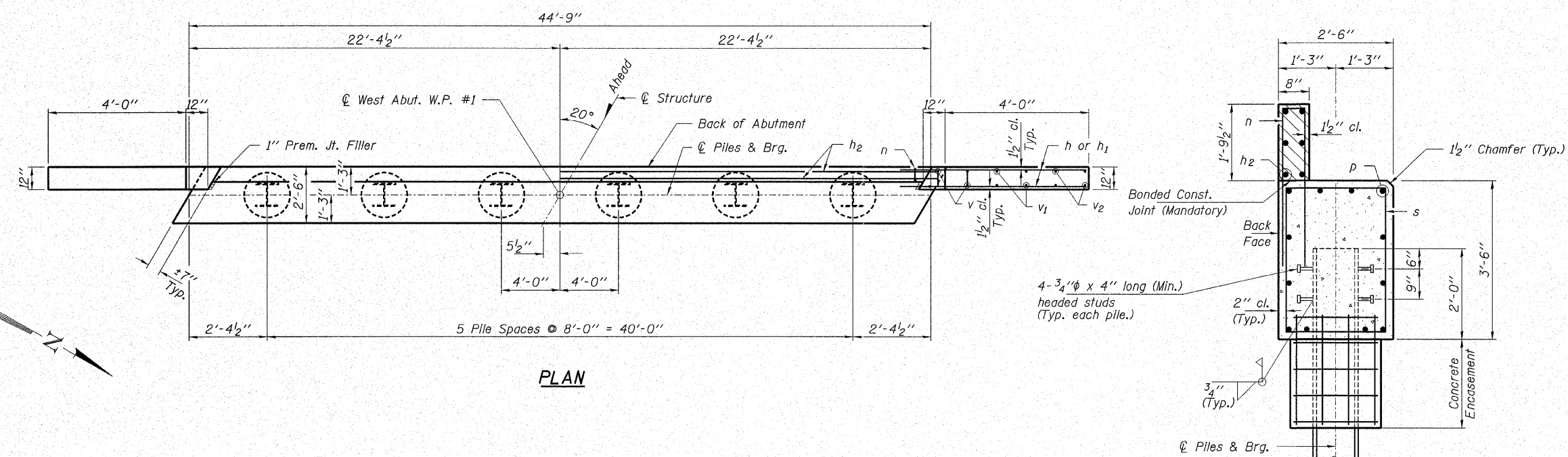
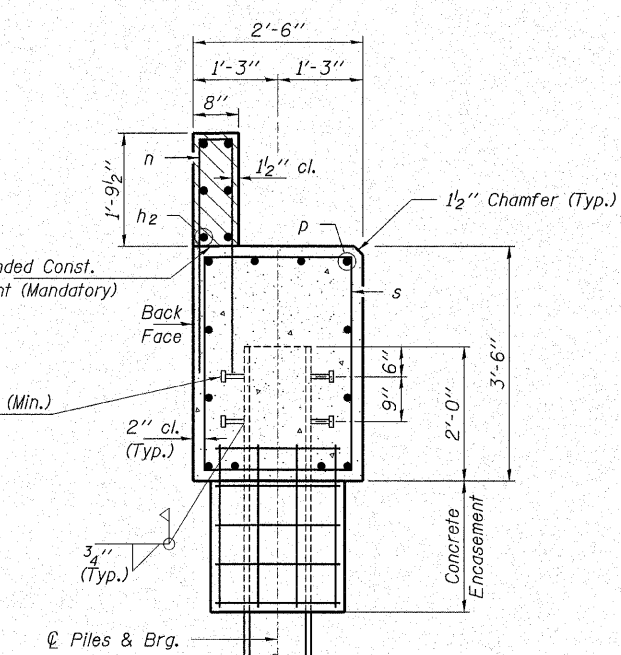


CONTRACT NO. 99219

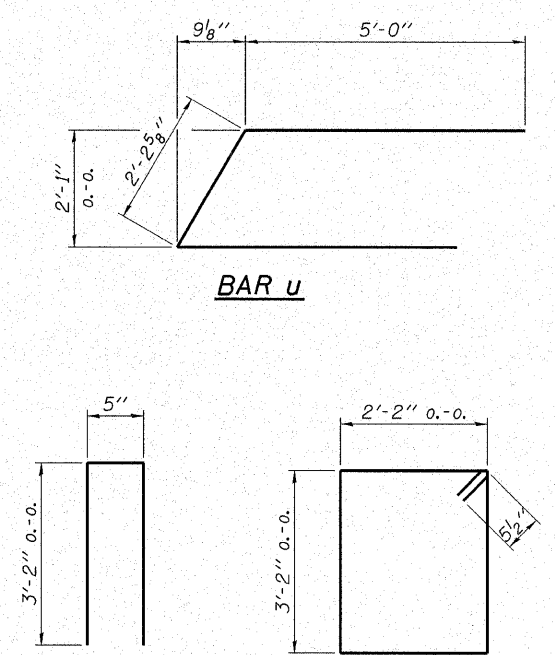


**PLAN**



**SECTION A-A**

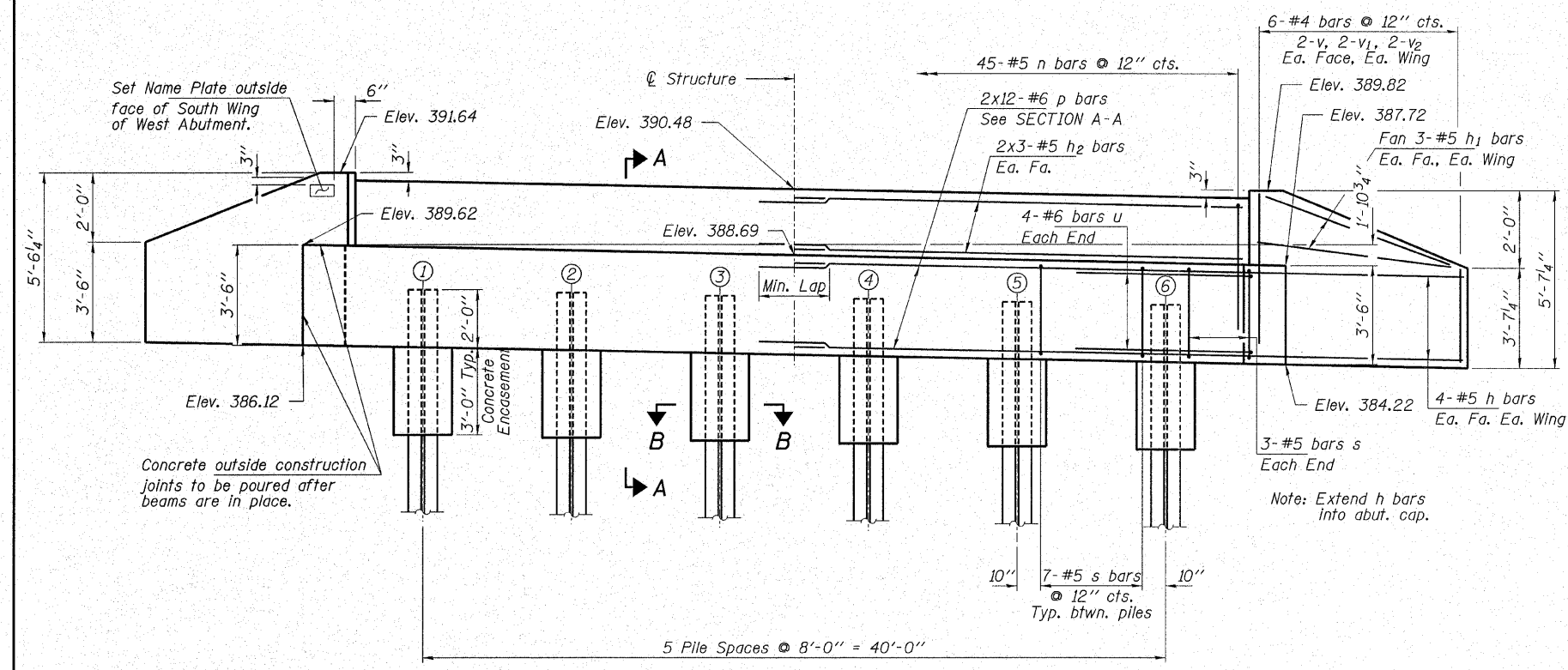
Hatched area to be poured after beams are in place.



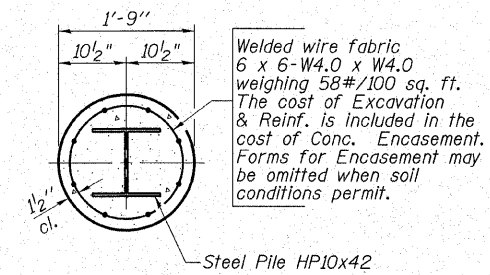
**BAR u**

**BAR n**

**BAR s**



**ELEVATION**  
(Looking West)



**SECTION B-B**

**MIN. BAR LAP**

#5 - 2'-2"  
#6 - 2'-7"

**BILL OF MATERIAL - W. ABUT.**

BAR	NO.	SIZE	LENGTH	SHAPE
h	16	#5	5'-9"	—
h1	12	#5	4'-9"	—
h2	12	#5	23'-4"	—
n	45	#5	6'-9"	⏏
p	24	#6	23'-6"	—
s	41	#5	11'-7"	□
u	8	#6	12'-3"	—
v	8	#4	5'-2"	—
v1	8	#4	4'-3"	—
v2	8	#4	3'-3"	—
			Cu. Yd.	18.1
Concrete Structures			Pound	2,320
Reinforcement Bars			Foot	425
Steel Piles HPI0x42			Each	1
Test Pile Steel HPI0x42			Each	1
Name Plates			Cu. Yd.	1.6
Concrete Encasement			Each	24
Stud Shear Connectors				

**ELEVATIONS**

Location	Pile 1	Pile 2	Pile 3	Pile 4	Pile 5	Pile 6
Top of Pile	388.02	388.68	387.34	387.00	386.66	386.32
Bot. of Encasement	383.02	383.68	382.34	382.00	381.66	381.32

**PILE DATA**

Type.....Steel HPI0x42  
 No. Req'd.....6\*  
 Capacity.....Drive to Refusal  
 Estimated Lengths.....85 Feet/Pile

\* Includes one test pile to be driven in a permanent location at the West Abutment.

<b>HAMPTON, LENZINI &amp; RENWICK, INC.</b> CIVIL & STRUCTURAL ENGINEERS		<b>WEST ABUTMENT</b> SECTION 99-02118-00-FP F.A.U. 9713 / EAST PLEASANT HILL ROAD JACKSON COUNTY STRUCTURE NO. 039-3254 / STATION 80+95	
<b>HLR</b>		3085 STEVENSON DRIVE, SUITE 201 SPRINGFIELD, ILLINOIS 62703 (217) 546-3400	
ELGIN • SPRINGFIELD		PROJECT NUMBER: 03-47-0001-1    DATE: 02/05/07	
DESIGNED: S.M.S.    CHECKED: S.W.M.    DRAWN: D.B.			