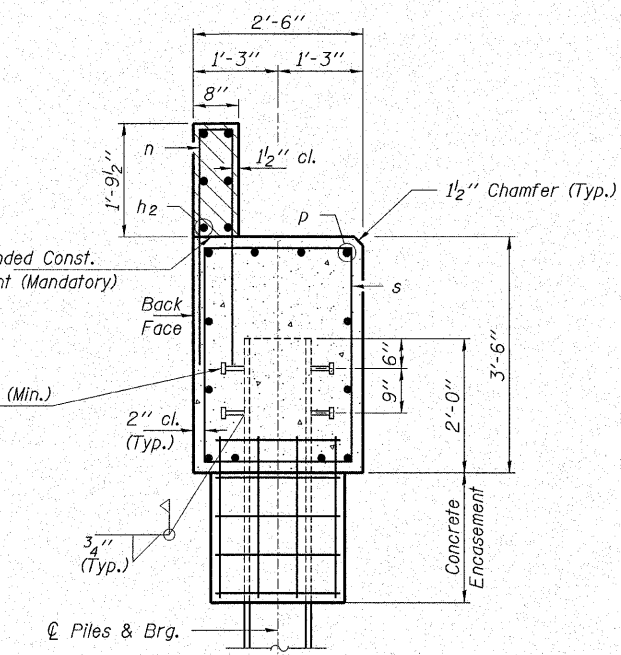
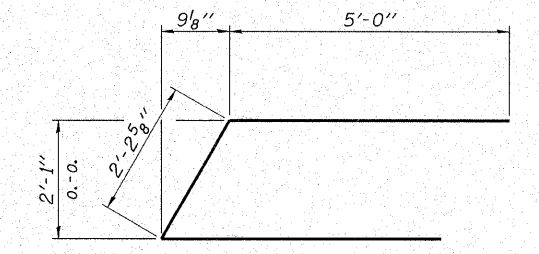


PLAN

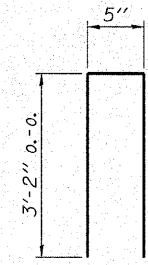


SECTION A-A

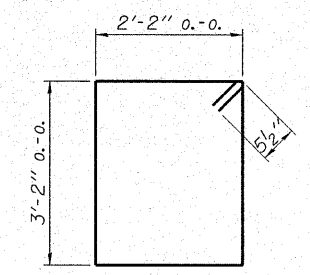
Hatched area to be poured after beams are in place.



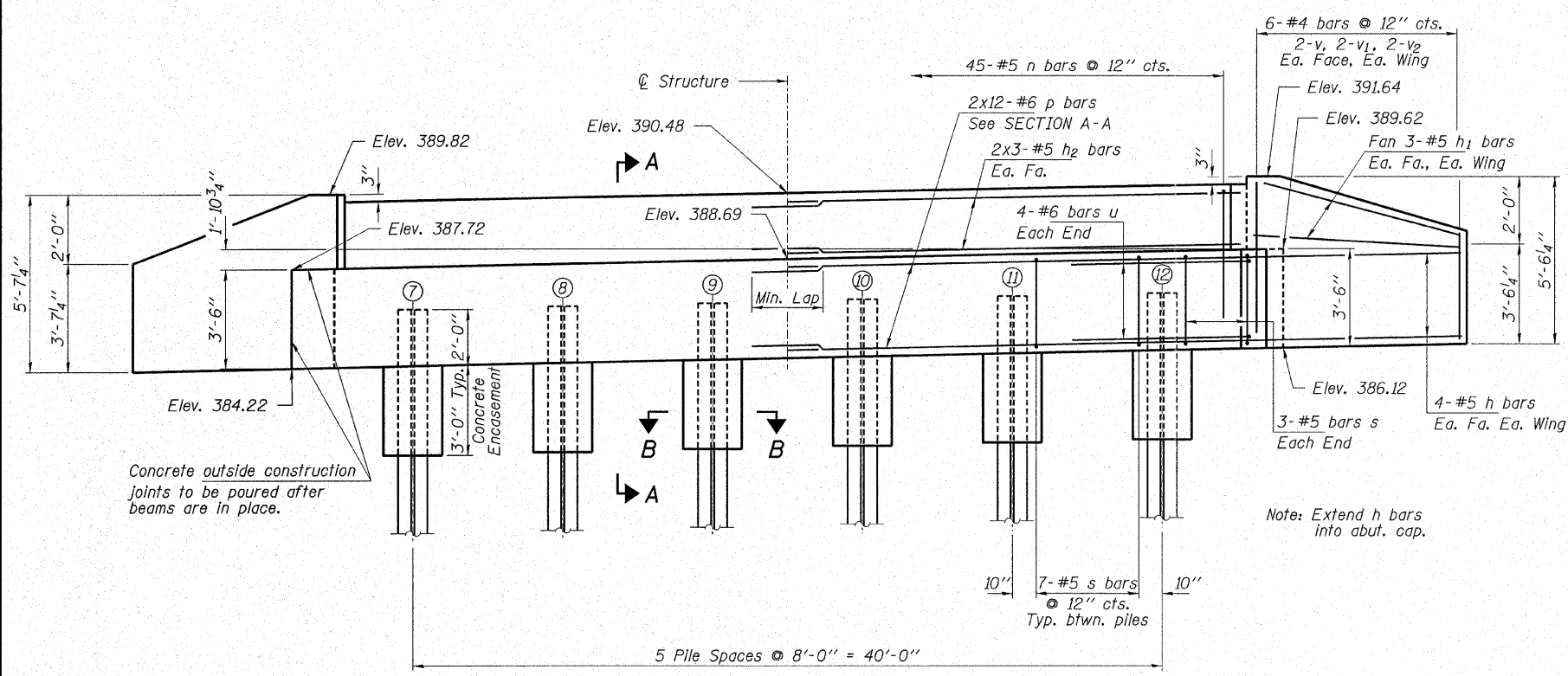
BAR u



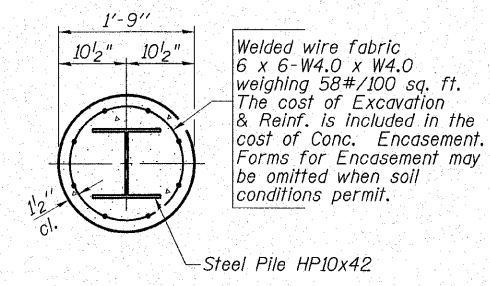
BAR n



BAR s



ELEVATION
(Looking East)



SECTION B-B

MIN. BAR LAP
#5 - 2'-2"
#6 - 2'-7"

BILL OF MATERIAL - E. ABUT.

BAR	NO.	SIZE	LENGTH	SHAPE
h	16	#5	5'-9"	—
h ₁	12	#5	4'-9"	—
h ₂	12	#5	23'-4"	—
n	45	#5	6'-9"	Π
p	24	#6	23'-6"	—
s	41	#5	11'-7"	□
u	8	#6	12'-3"	—
v	8	#4	5'-2"	—
v ₁	8	#4	4'-3"	—
v ₂	8	#4	3'-3"	—
Concrete Structures			Cu. Yd.	18.1
Reinforcement Bars			Pound	2,320
Steel Piles HP10x42			Foot	510
Concrete Encasement			Cu. Yd.	1.6
Stud Shear Connectors			Each	24

ELEVATIONS

Location	Pile 7	Pile 8	Pile 9	Pile 10	Pile 11	Pile 12
Top of Pile	386.32	386.66	387.00	387.34	388.68	388.02
Boff. of Encasement	386.32	381.66	382.00	382.34	383.68	383.02

PILE DATA

Type.....Steel HP10x42
No. Req'd.....6*
Capacity.....Drive to Refusal
Estimated Lengths.....85 Feet/Pile

HAMPTON, LENZINI & RENWICK, INC.
CIVIL & STRUCTURAL ENGINEERS

3085 STEVENSON DRIVE, SUITE 201
SPRINGFIELD, ILLINOIS 62703
(217) 546-3400

ELGIN • SPRINGFIELD

PROJECT NUMBER: 03-47-0001-1 DATE: 02/05/07
DESIGNED: S.M.S. CHECKED: S.W.M. DRAWN: D.B.

EAST ABUTMENT
SECTION 99-02118-00-FP
F.A.U. 9713 / EAST PLEASANT HILL ROAD
JACKSON COUNTY
STRUCTURE NO. 039-3254 / STATION 80+95