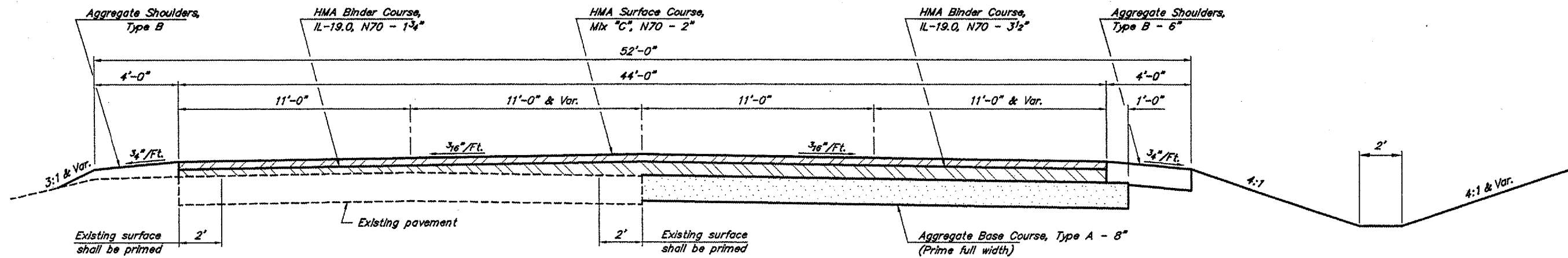
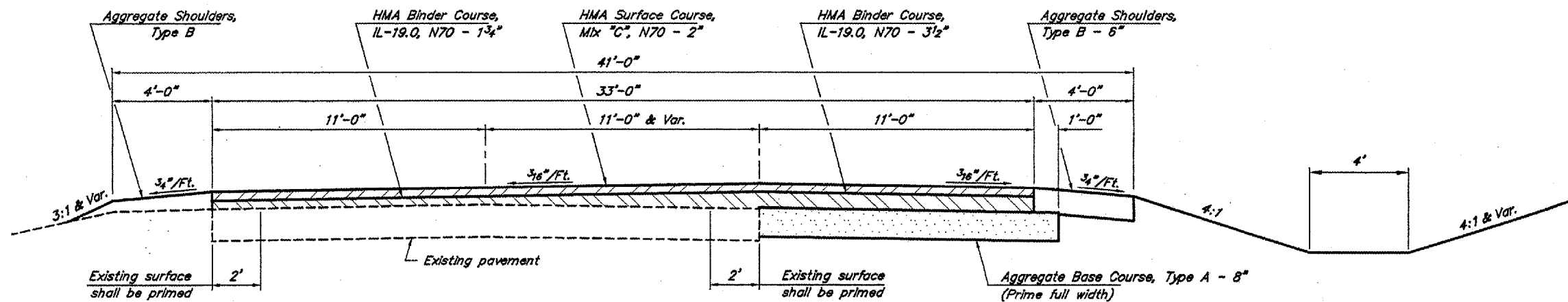


ROUTE	SECTION	COUNTY	TOTAL SHEETS	SHEET NO.
FAS 938	05-00064-00-RS	PULASKI	32	6
PROJECT NO.   RS-HPP-3300 (002)			CONTRACT NO. 99260	



**TYPICAL SECTION**  
**STA. 434+68 - STA. 441+67**



**TYPICAL SECTION**  
**STA. 441+67 - STA. 447+23**

**NOTES**

Crown correction may be constructed with HMA Binder Course prior to placing the first full lift as directed by the Engineer.

**STRUCTURAL DESIGN DATA**

Class II Roadway  
 Design Period - 20 Years  
 PC 2520 IBR 5.0  
 SU 100 TF 0.2314  
 MU 30 DT 2.920

**MATERIAL COEFFICIENT**

Existing Agg. Base Course - 0.11  
 Existing Waterbound Macadam - 0.11  
 Existing Oil & Chip Surface - 0.13  
 Existing BAM/BMC - 0.23  
 Aggregate Base Course - 0.13  
 Leveled Binder - 0.33  
 HMA Binder Course - 0.33  
 HMA Surface Course - 0.40

578 TSec Turn Lanes 02/07/07 1531 RLH