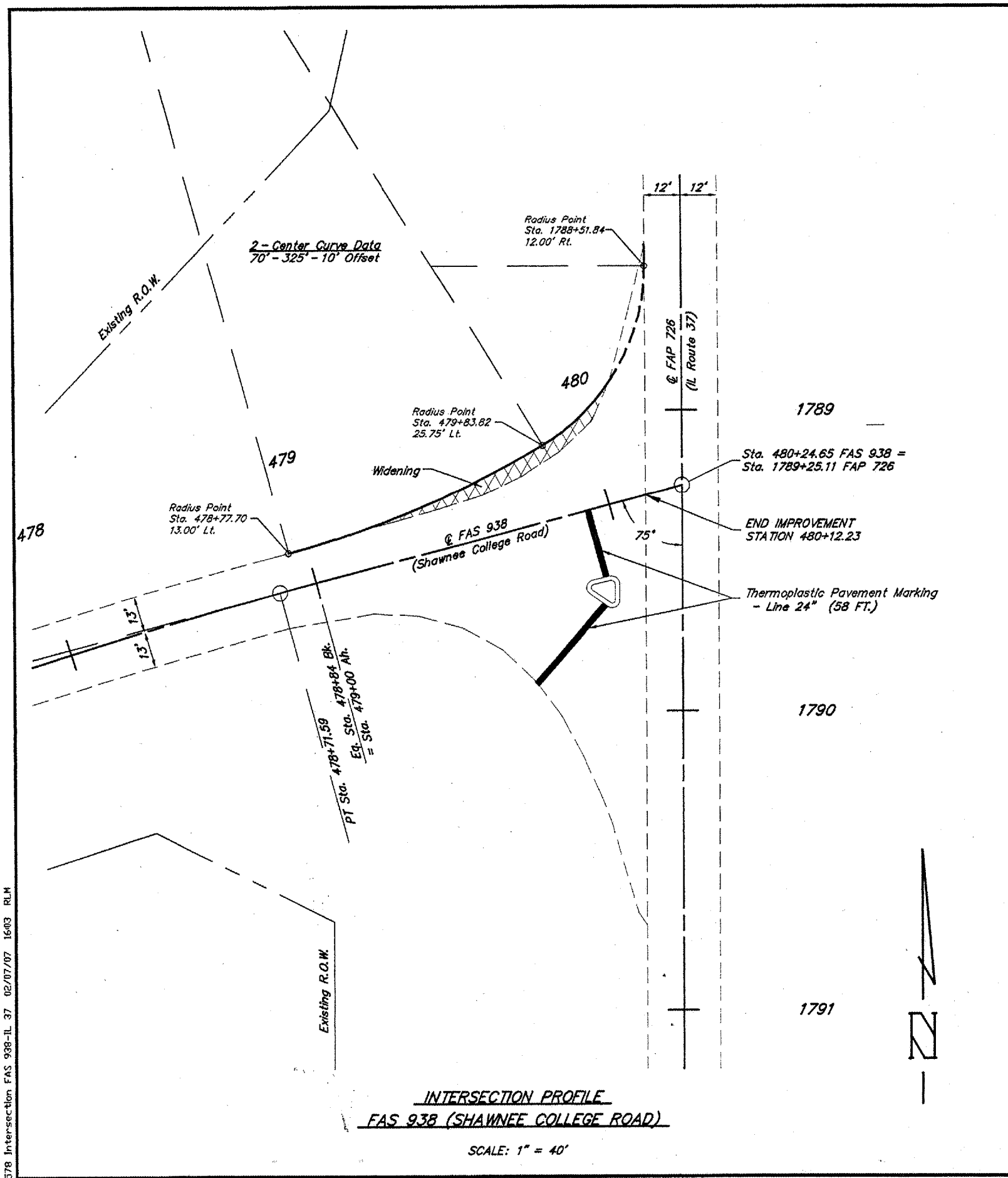
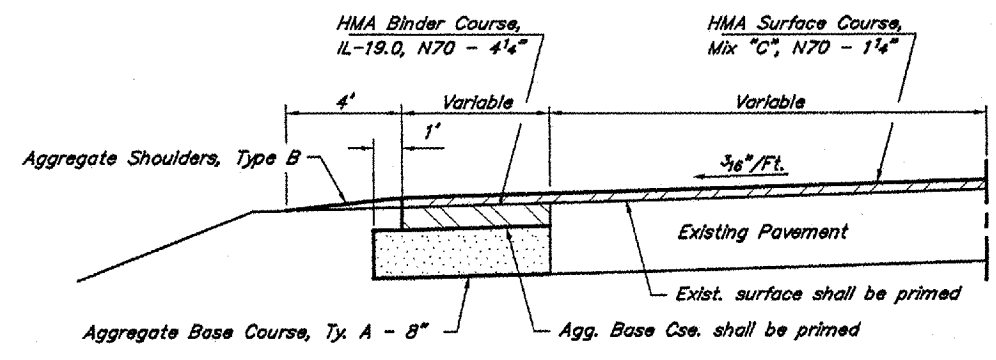


ROUTE	SECTION	COUNTY	TOTAL SHEETS	SHEET NO.
FAS 938	05-00064-00-RS	PULASKI	32	25
PROJECT NO. RS-HPP-3300 (002)			CONTRACT NO. 99260	

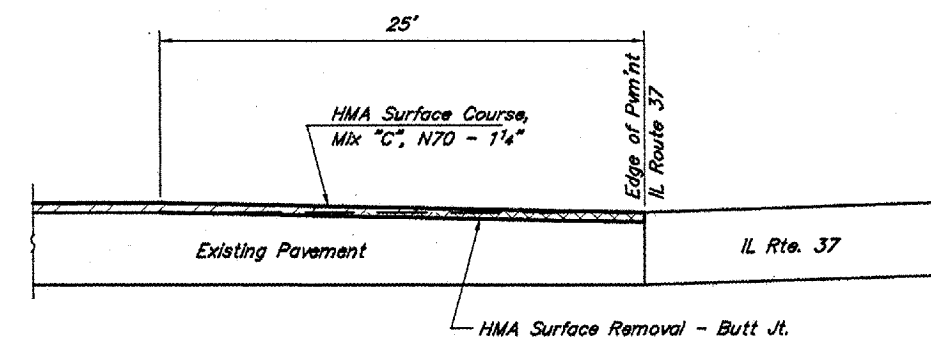


**INTERSECTION PROFILE  
FAS 938 (SHAWNEE COLLEGE ROAD)**

SCALE: 1" = 40'



**INTERSECTION PAVING & WIDENING DETAIL  
FAS 938 (SHAWNEE COLLEGE ROAD)**



**INTERSECTION PROFILE  
FAS 938 (SHAWNEE COLLEGE ROAD)**

578 Intersection FAS 938-IL 37 02/07/07 16:03 RLM