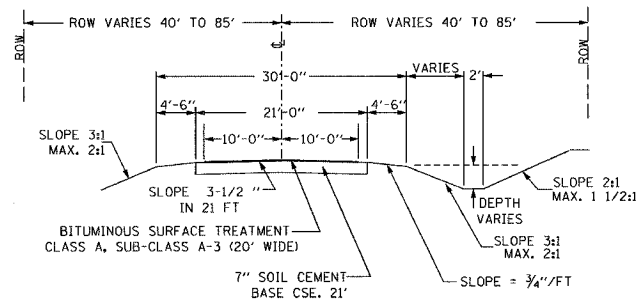
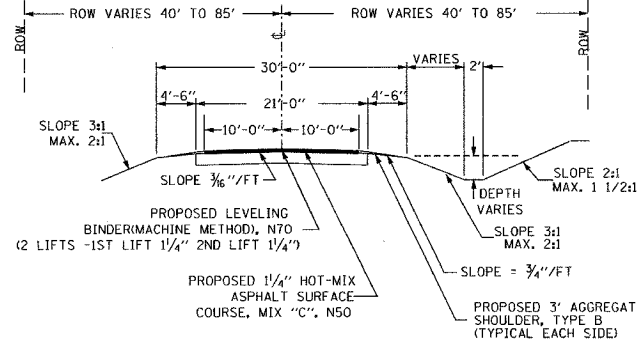


F.A.S.	SECTION	COUNTY	TOTAL SHEETS	SHEET NO.
815	06-00101-00-RS	WHITE	4	2
FED. ROAD DIST. NO. 1		ILLINOIS	GRAYVILLE-BURNT PRAIRIE	
LEC JOB # H05L014WH			CONTRACT # 99295	

**TYPICAL CROSS SECTION
EXISTING**



**TYPICAL CROSS SECTION
PROPOSED**



GENERAL NOTES:

THIS SECTION CONSISTS OF PAVEMENT REMOVAL AND REPLACEMENT SPECIAL, LEVELING BINDER (MACHINE METHOD) N70, AND HOT-MIX ASPHALT SURFACE COURSE, MIX "C", N50, AGGREGATE SHOULDERS, AND OTHER MISCELLANEOUS ITEMS NECESSARY TO COMPLETE THE PROJECT, ALL IN ACCORDANCE WITH THE PLANS, SPECIAL PROVISIONS AND "STANDARD SPECIFICATIONS FOR ROAD AND BRIDGE CONSTRUCTION" ADOPTED JANUARY 1, 2007.

THE EXISTING GRADE, ALIGNMENT, DRAINAGE STRUCTURES, BASE AND SURFACE WERE CONSTRUCTED UNDER SECTIONS 30-B AND 27-Q AND SHALL REMAIN IN PLACE. ALL STATIONS REFERRED TO IN THE PLANS AND PROPOSAL ARE REFERENCED TO THE ABOVE MENTIONED SECTIONS.

MAXIMUM PERCENT OF GRADE	4.20 %
MINIMUM STOPPING SIGHT DISTANCE	425 FT
DESIGN SPEED	50 MPH
CURRENT ADT	600 VPD
DESIGN ADT (20 YEAR)	750 VPD

THE HOT-MIX ASPHALT SURFACE COURSE, MIX "C", N50 SHALL BE PLACED IN ONE LIFT WITH A MINIMUM THICKNESS OF 1 1/4".

THE QUANTITY SHOWN IN THE SUMMARY OF QUANTITIES FOR HOT-MIX ASPHALT SURFACE COURSE, MIX "C", N50 ALLOWS 162.7 TON FOR THE INTERSECTIONS, SIDEROADS, AND TAPERS; 73.2 TON FOR THE ENTRANCES; 26.8 TON FOR THE MAILBOX TURNOUTS, AND 1541.0 TON FOR THE 1 1/4" HOT-MIX ASPHALT SURFACE COURSE, MIX "C", N50.

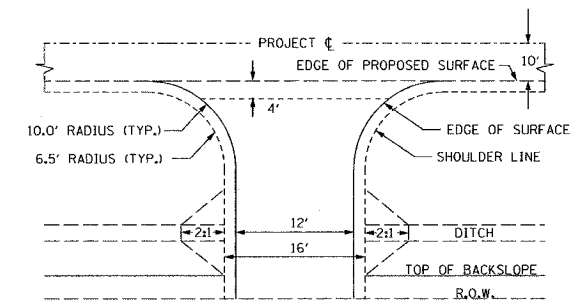
A HOT-MIX ASPHALT TAPER OF 0" TO 3 3/4" SHALL BE CONSTRUCTED FROM STATION 0+00 TO STATION 0+55 AND 3 3/4" TO 0" FROM STATION A151+50 TO STATION 152+00.

THE FOLLOWING RATES HAVE BEEN USED TO CALCULATE PLAN QUANTITIES:

AGGREGATE SHOULDERS TY. B	1.8 T / CU YD
HOT-MIX ASPHALT	0.0560 T / SQ YD * INCH
AGGREGATE PRIME COAT	0.001 T / SQ YD
BITUMINOUS MATERIAL (PRIME COAT)	0.05 GAL / SQ YD

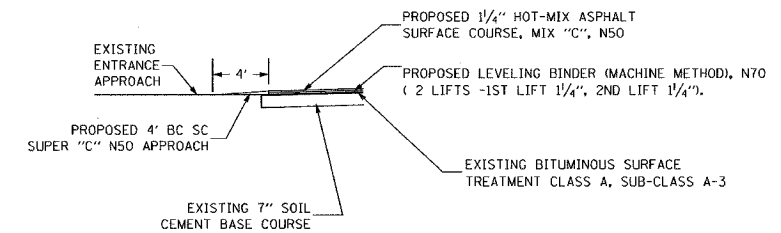
THE QUANTITY SHOWN IN THE SUMMARY OF QUANTITIES FOR GRADING AND SHAPING DITCHES ALLOWS 50 FOOT AT EACH END OF ALL PIPES TO BE REPLACED AT STATIONS SHOWN IN SCHEDULE OF AIR PIPE CULVERTS, CLASS C.

DETAIL OF PRIVATE AND FIELD ENTRANCES

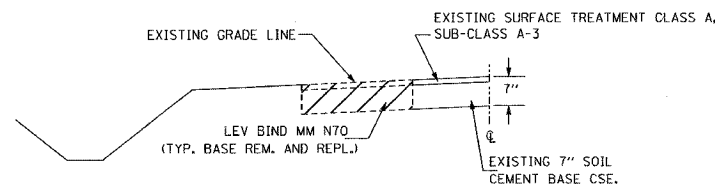


NOTE: THE 4' AREA FROM THE EDGE OF SURFACE, AS SHOWN ABOVE, SHALL BE HOT-MIX ASPHALT SURFACE COURSE, MIX "C", N50 FOR THE PRIVATE ENTRANCES AND THE FIELD ENTRANCES. THIS QUANTITY IS INCLUDED IN THE QUANTITY FOR HOT-MIX ASPHALT SURFACE COURSE, MIX "C", N50.

PRIVATE & FIELD ENTRANCE APPROACH DETAIL



DETAIL OF PAVEMENT REMOVAL AND REPLACEMENT SPECIAL



NOTE: IN THE TYPICAL DETAIL ABOVE THE DISTANCE FROM THE CENTERLINE LEFT OR RIGHT AND THE WIDTH OF PAVEMENT REMOVAL AND REPLACEMENT VARIES. SEE SCHEDULE OF PAVEMENT REMOVAL AND REPLACEMENT SPECIAL FOR PROPOSED LOCATIONS.

SCHEDULE FOR SUPERELEVATION RATES

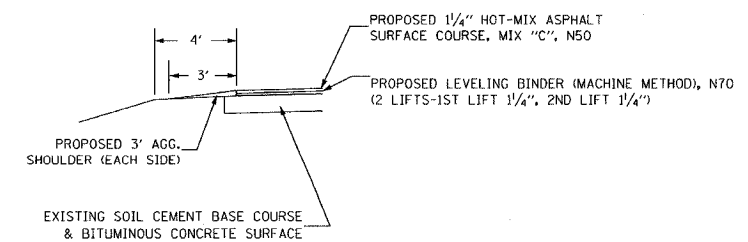
CURVE #1

TANGENT RUNOFF BEGINS STA. 0+55.65
 S.E. RUNOFF BEGINS STA. 0+83.65
 FULL S.E. BEGINS STA. 1+59.65
 FULL S.E. ENDS STA. 13+24.13
 S.E. RUNOFF ENDS STA. 14+00.13
 TANGENT RUNOFF ENDS STA. 14+28.13
 S.E. RATE = 0.040 FT / FT

CURVE #2

TANGENT RUNOFF BEGINS STA. 24+10.31
 S.E. RUNOFF BEGINS STA. 24+35.31
 FULL S.E. BEGINS STA. 24+77.31
 FULL S.E. ENDS STA. 36+66.78
 S.E. RUNOFF ENDS STA. 37+08.78
 TANGENT RUNOFF ENDS STA. 37+33.78
 S.E. RATE = 0.025 FT / FT

AGGREGATE SHOULDER DETAIL



323 W. 3RD ST.
 P.O. BOX 160
 MT. CARMEL, IL
 62863
 PHONE:
 (618)-262-8651
 FAX:
 (618)-263-3327

405 W. STATE ST.
 SUITE 1
 PRINCETON, IN
 47670
 PHONE:
 (812)-386-7611
 FAX:
 (812)-386-2812



PROFESSIONAL
 DESIGN FIRM
 LAND SURVEY &
 PROFESSIONAL
 ENGINEERING
 CORPORATION
 184-000887
 (62-032435)(35-002769)



AARON M. MEFFORD
 NAME
 Signature
 SIGNATURE
 3-8-07
 DATE
 11-30-07
 EXPIRES