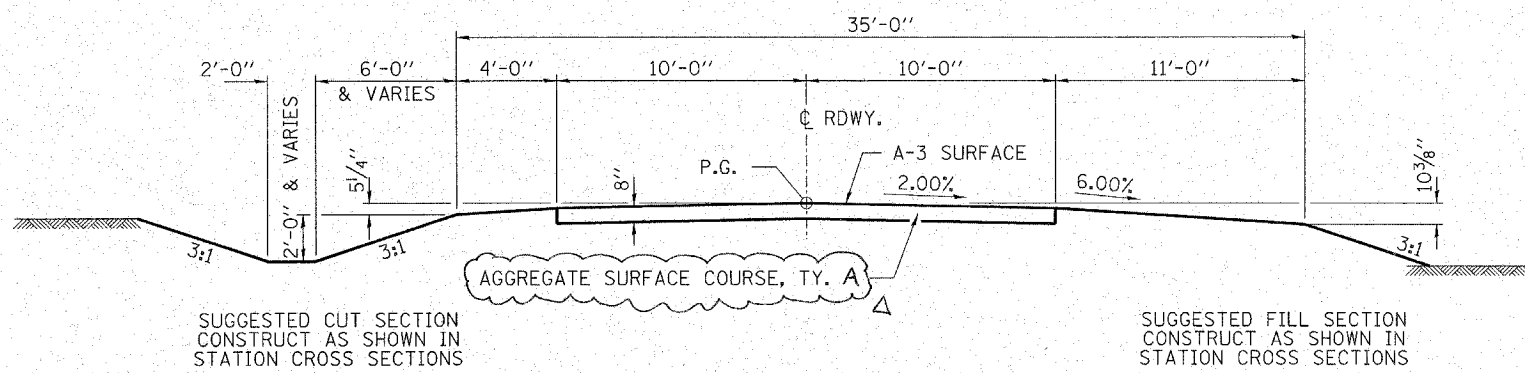


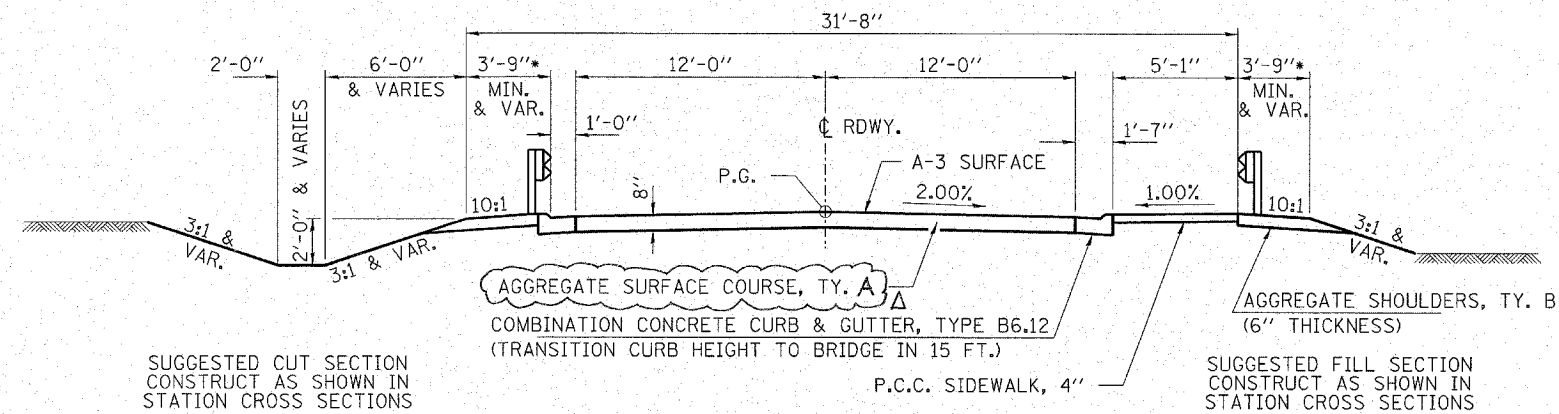
ROUTE NO.	SECTION	COUNTY	TOTAL SHEETS	SHEET NO.
M.S. 2700	05-00186-00-BR 06-00001-00-BR	JEFFERSON BLUFORD	31	3
FED. ROAD DIST. NO.		ILLINOIS	CONTRACT NO. 9929	



TYPICAL CROSS SECTION

STA. 7+20 TO STA. 8+25
STA. 11+75 TO STA. 12+55

TRANSITION PROPOSED SECTION FROM
STA. 8+25 TO STA. 8+65 AND FROM
STA. 11+35 TO STA. 11+75.

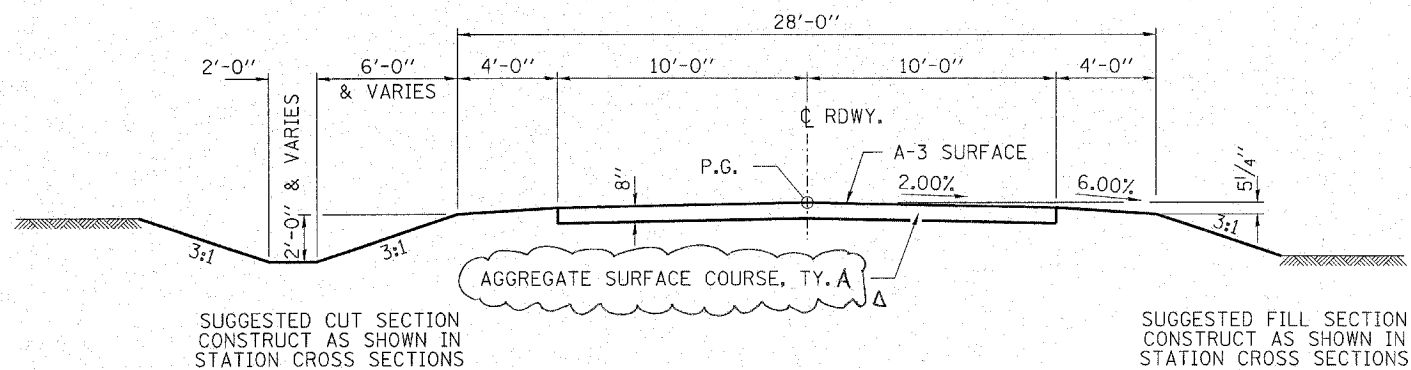


TYPICAL CROSS SECTION

STA. 8+65.0 TO STA. 9+19.25
STA. 10+80.75 TO STA. 11+35.0

TRANSITION TO ADJACENT TYPICAL CROSS SECTION
TO BE CONSTRUCTED FROM STA. 8+25 TO STA. 8+65
AND STA. 11+35 TO STA. 11+75.

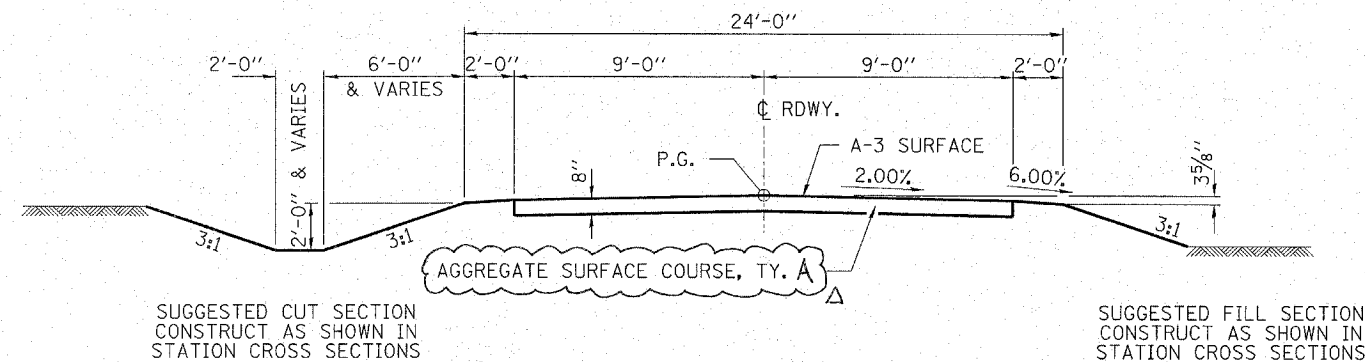
* SEE STD. 630301 FOR WIDENING
AT TERMINAL SECTIONS.



TYPICAL CROSS SECTION

STA. 2+50 TO STA. 7+20
STA. 12+55 TO STA. 14+00

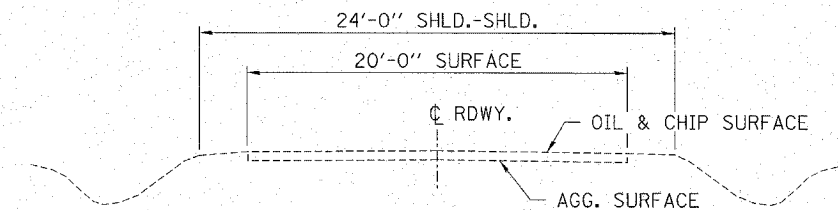
TRANSITION FROM THE PROPOSED ROADWAY TO
THE EXISTING ROADWAY IS TO BE CONSTRUCTED
FROM STA. 2+00 TO STA. 2+50 AND FROM
STA. 13+50 TO STA. 14+00.



TYPICAL CROSS SECTION - SIDE ROAD

STA. 99+50 TO STA. 101+89.77

TRANSITION FROM THE PROPOSED ROADWAY TO
THE EXISTING ROADWAY IS TO BE CONSTRUCTED
FROM STA. 99+50 TO STA. 100+00.



EXISTING CROSS SECTION

△ Revised 5/25/07

HAMPTON, LENZINI & RENWICK, INC.
CIVIL & STRUCTURAL ENGINEERS
LAND SURVEYORS

HLR

3085 STEVENSON DRIVE, SUITE 201
SPRINGFIELD, ILLINOIS 62703
(217) 546-3400

ELGIN • SPRINGFIELD

PROJECT NUMBER: 12-49-0006-1 DATE: 03/21/07
DESIGNED: J.W.F. CHECKED: S.W.M. DRAWN: D.B.

TYPICAL CROSS SECTIONS
SECTIONS 05-00186-00-BR / 06-00001-00-BR
VILLAGE OF BLUFORD
JEFFERSON COUNTY