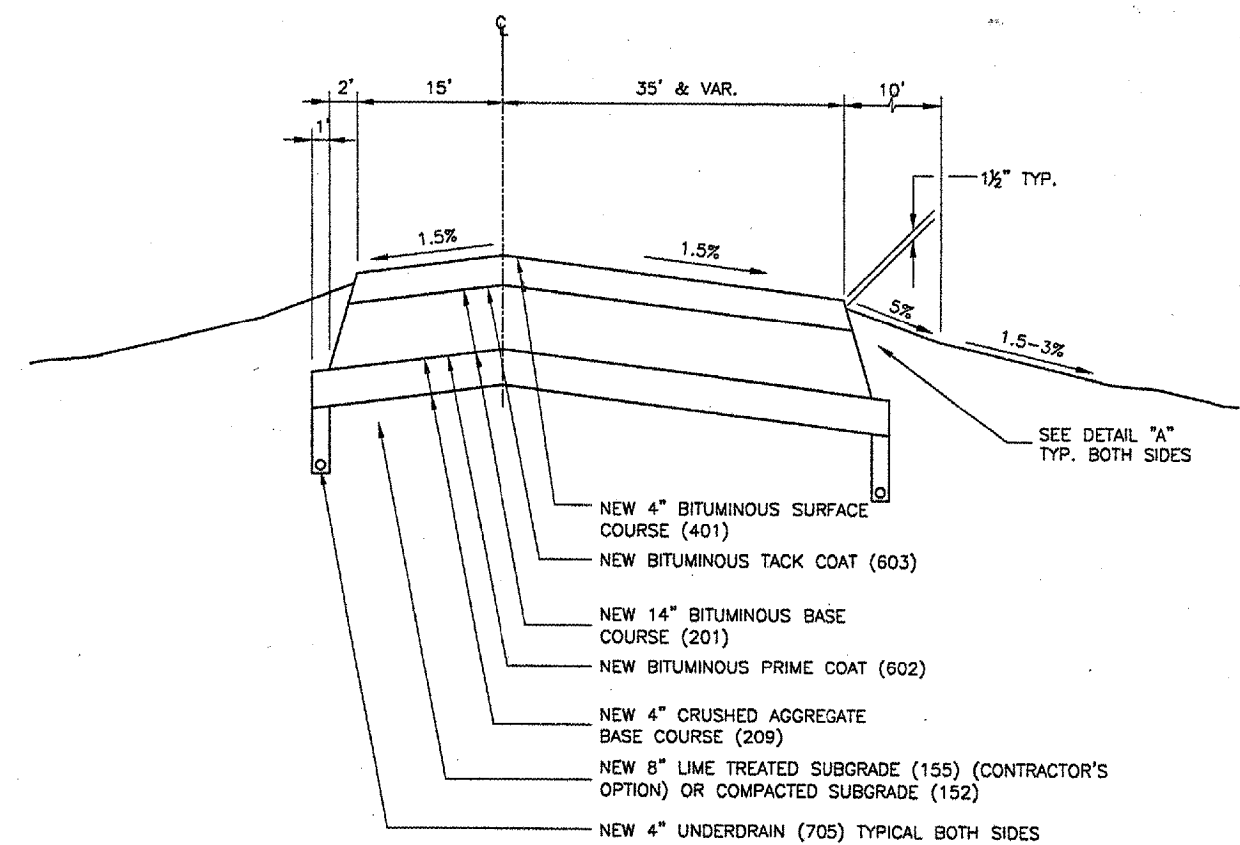
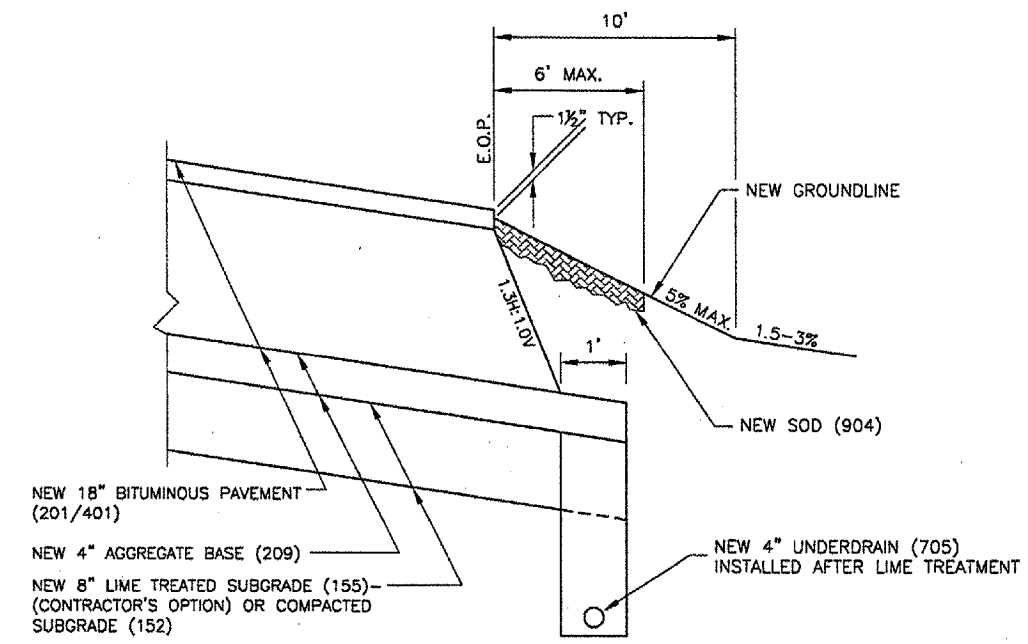


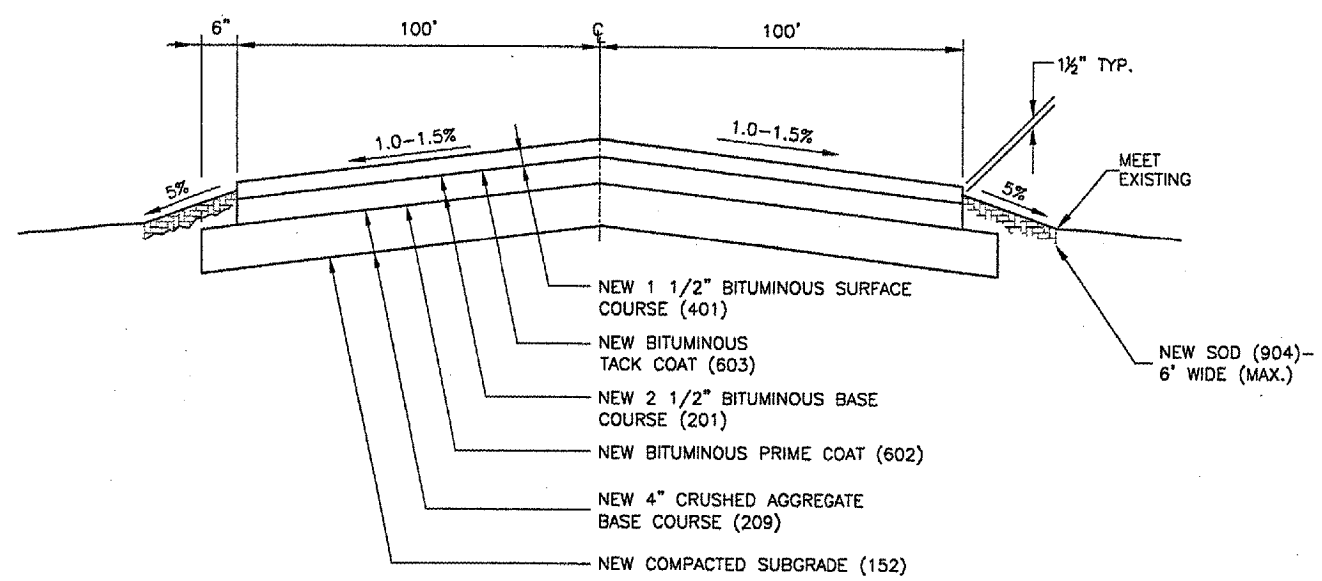
(A) NEW CONNECTING TAXIWAY B (A)
 N.T.S.



(B) NEW PARALLEL TAXIWAY B EXTENSION (B)
 N.T.S.

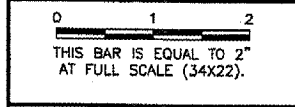


NEW SHOULDER DETAIL "A"
 N.T.S.



(C) NEW RUNWAY 31 BLAST PAD (C)
 N.T.S.

REVISIONS		
NUMBER	BY	DATE



SPRINGFIELD AIRPORT AUTHORITY
ABRAHAM LINCOLN CAPITAL AIRPORT
SPRINGFIELD, ILLINOIS

CONSTRUCT RUNWAY 13/31 RSA IMPROVEMENTS
TYPICAL SECTIONS 1

© Copyright CMT, Inc.

CMT
 CRAWFORD, MURPHY & TILLY, INC.
 CONSULTING ENGINEERS
 License No. 184-00018

DESIGN BY:	RLV
DRAWN BY:	DPA
CHECKED BY:	RLV
APPROVED BY:	RLV
DATE:	04/24/07
JOB No:	05035-03