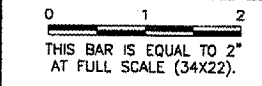


REVISIONS		
NUMBER	BY	DATE

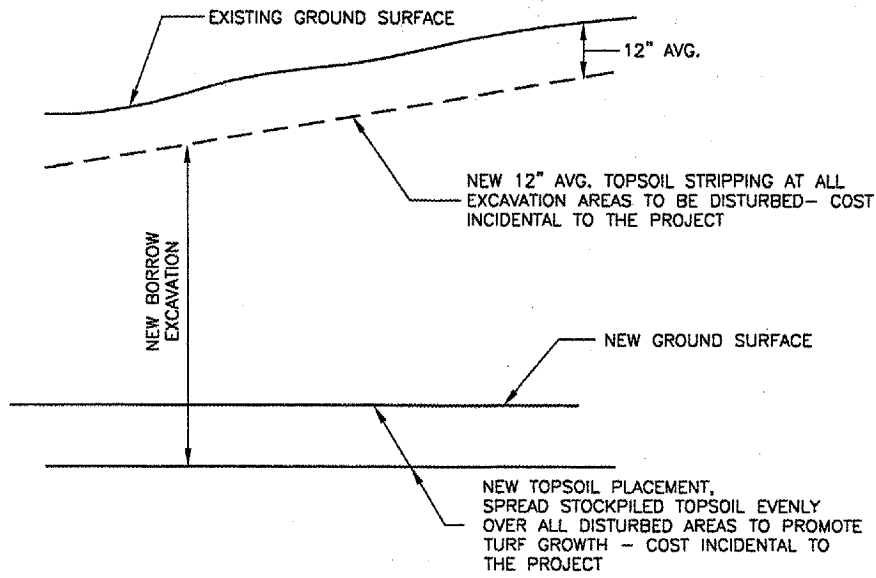


SPRINGFIELD AIRPORT AUTHORITY
 ABRAHAM LINCOLN CAPITAL AIRPORT
 SPRINGFIELD, ILLINOIS

CONSTRUCT RUNWAY 13/31 RSA IMPROVEMENTS
 TYPICAL SECTIONS 2

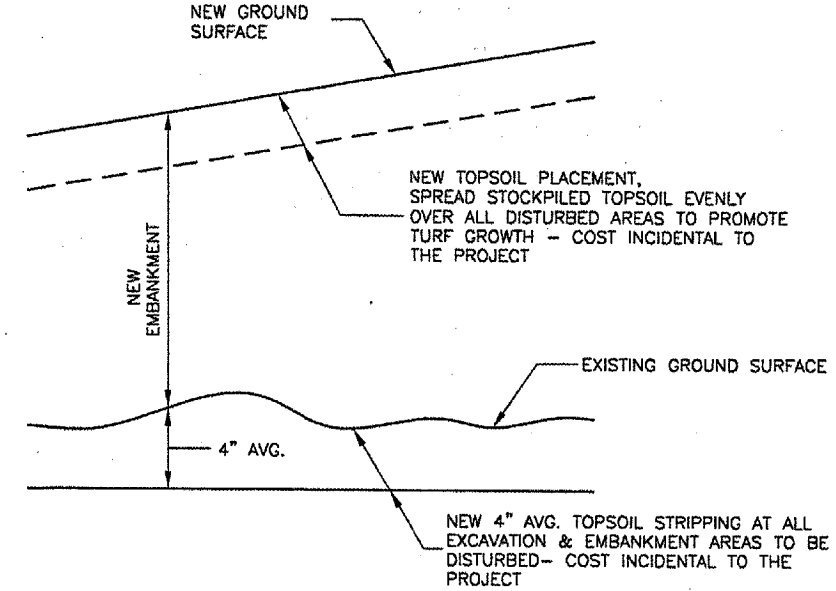
© Copyright CMT, Inc.
CMT
 CRAWFORD, MURPHY & TILLY, INC.
 CONSULTING ENGINEERS
 License No. 84-000618

DESIGN BY:	RLV
DRAWN BY:	DPA
CHECKED BY:	RLV
APPROVED BY:	RLV
DATE:	04/24/07
JOB No:	05035-03



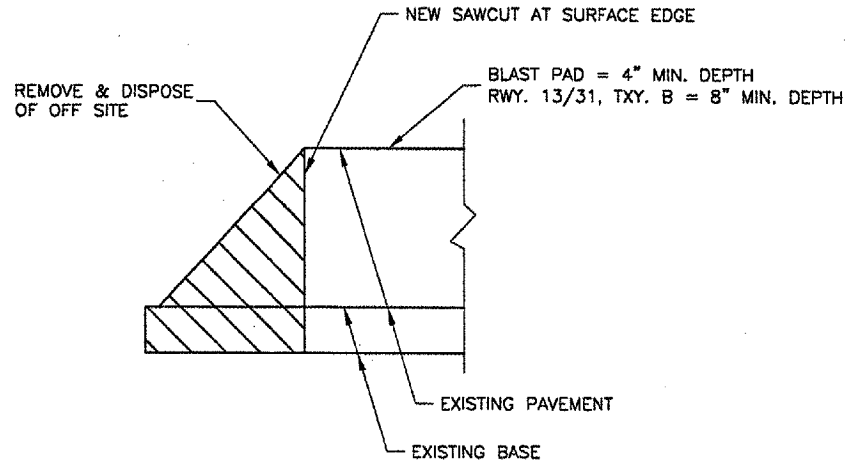
TOPSOIL STRIPPING & REPLACEMENT DETAIL
 - FOR BORROW AREA ONLY

N.T.S.



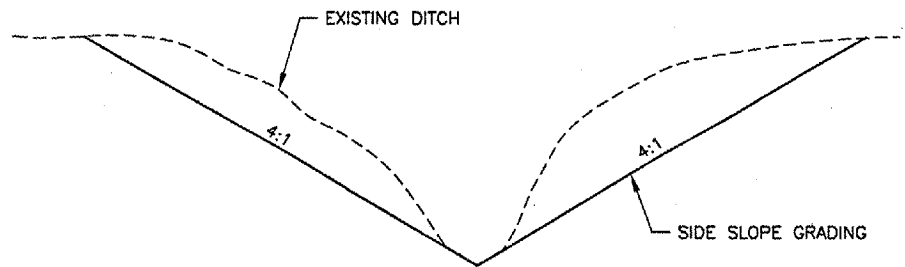
TOPSOIL STRIPPING DETAIL
 - FOR ALL LOCATIONS OTHER
 THAN BORROW AREA

N.T.S.



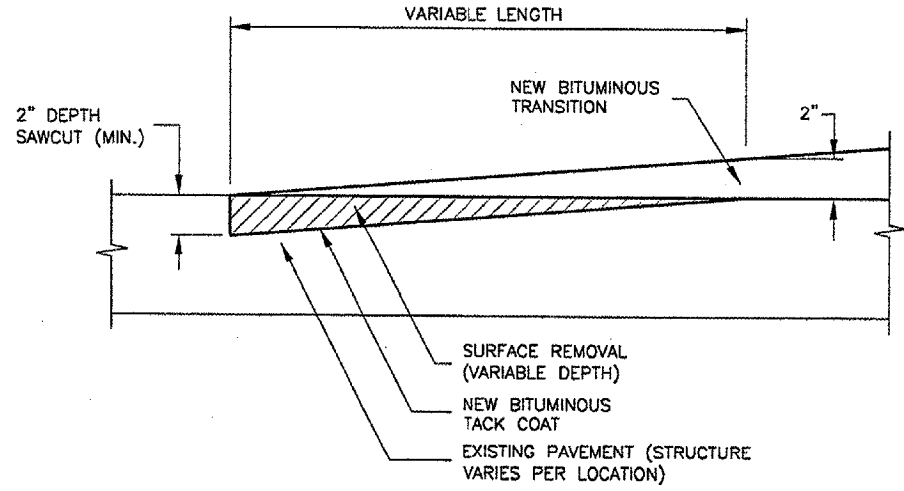
BITUMINOUS PAVEMENT SAWING DETAIL

N.T.S.



DITCH A GRADING DETAIL

N.T.S.



BUTT JOINT DETAIL

N.T.S.