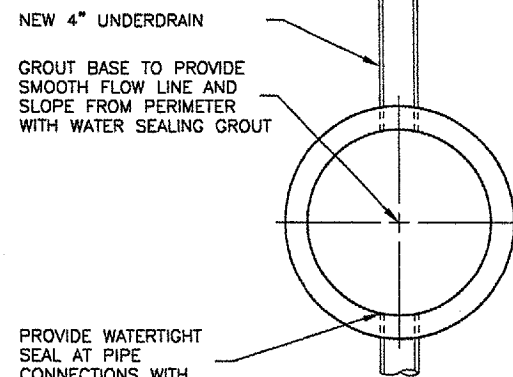


SIDE VIEW

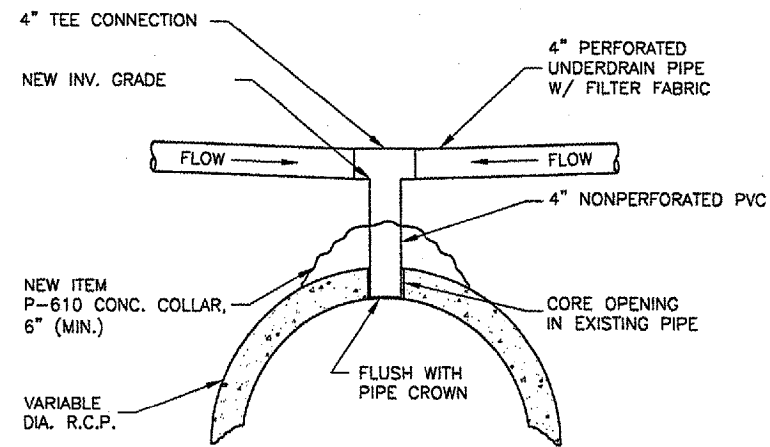
UNDERDRAIN CLEAN-OUT DETAIL - TYPE 1

N.T.S.



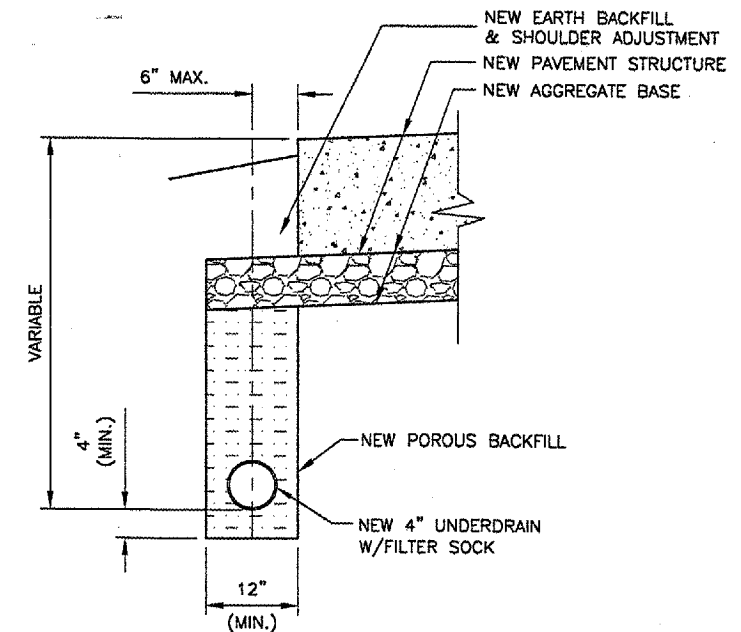
PLAN

PROVIDE WATERTIGHT SEAL AT PIPE CONNECTIONS WITH WATER SEALING GROUT



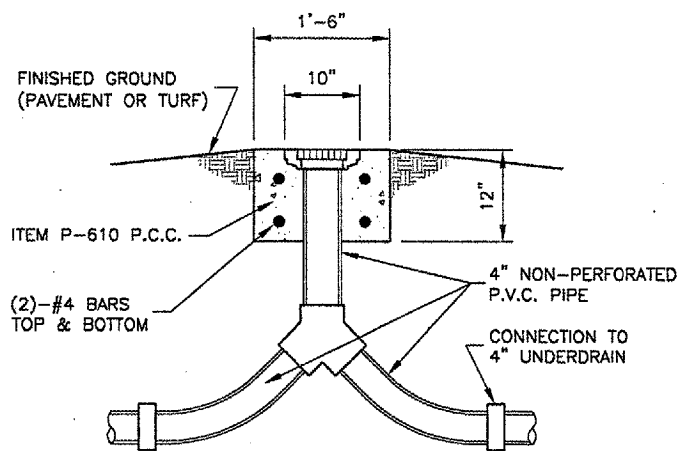
UNDERDRAIN DIRECT TOP CONNECTION DETAIL

N.T.S.



TYPICAL UNDERDRAIN DETAIL PAVEMENT EDGE

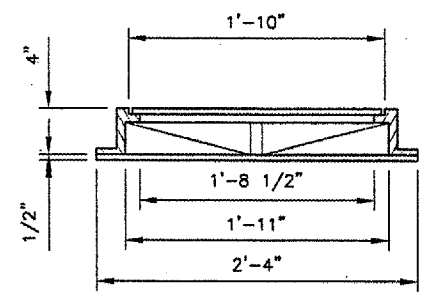
N.T.S.



SIDE VIEW

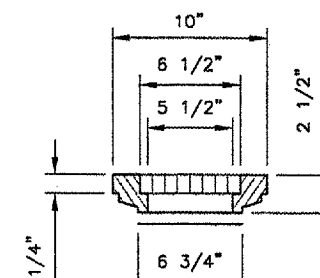
UNDERDRAIN CLEAN-OUT DETAIL - TYPE 2

N.T.S.



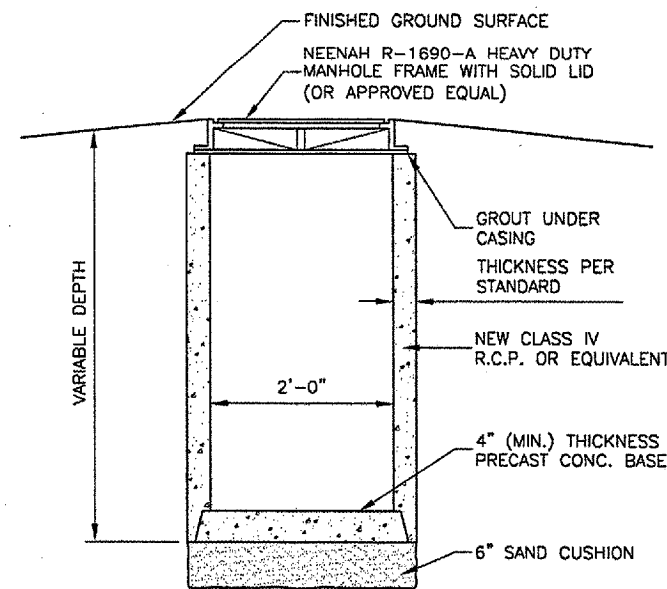
FRAME AND LID

CAST IRON FRAME & LID (SIMILAR TO NEENAH R-1690-A HEAVY DUTY OR APPROVED EQUAL)



FRAME AND COVER

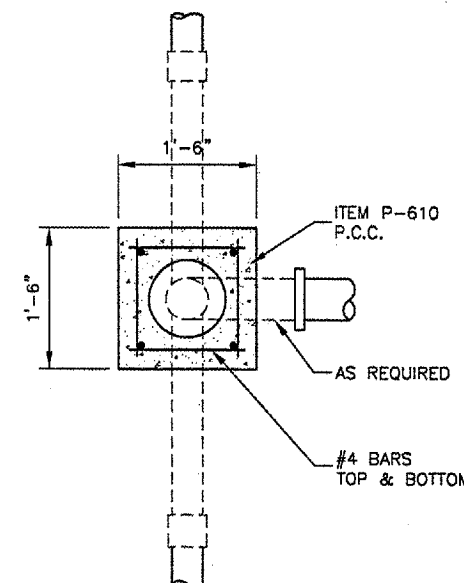
CAST IRON FRAME & COVER (SIMILAR TO NEENAH R-6013 OR APPROVED EQUAL)



SIDE VIEW

UNDERDRAIN COLLECTION STRUCTURE DETAIL

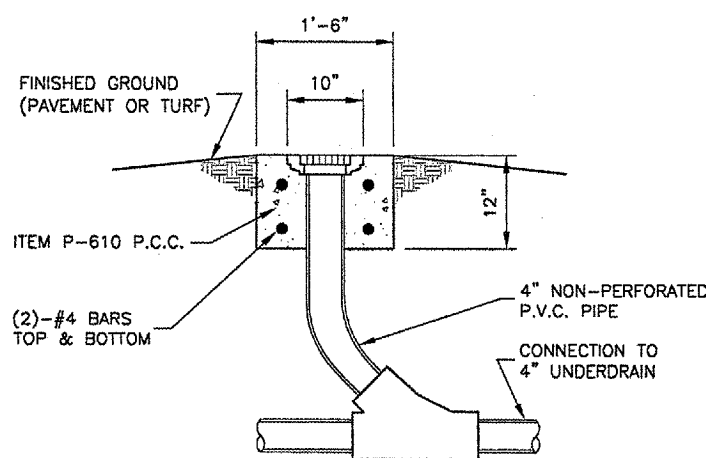
N.T.S.



PLAN

UNDERDRAIN CLEAN-OUT DETAILS

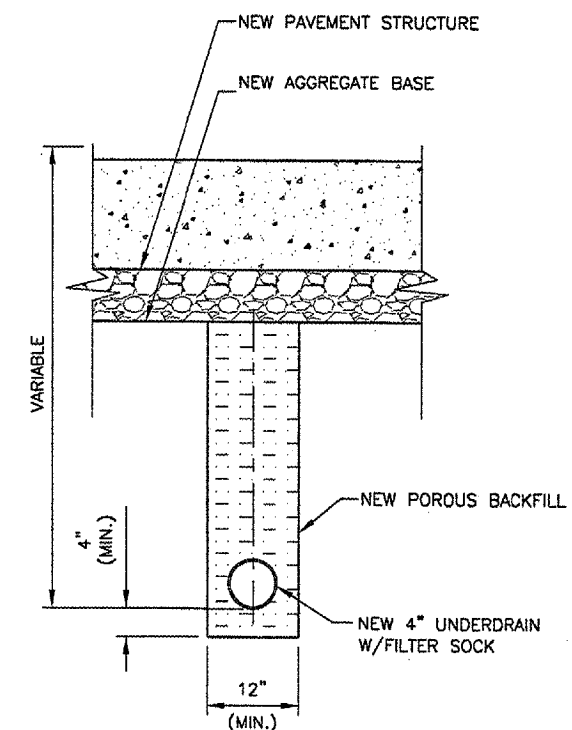
N.T.S.



SIDE VIEW

UNDERDRAIN CLEAN-OUT DETAIL - TYPE 3

N.T.S.



TYPICAL UNDERDRAIN DETAIL BELOW PAVEMENT

N.T.S.

NOTES

DURING UNDERDRAIN CONSTRUCTION, CARE SHALL BE TAKEN TO ENSURE GOOD DRAINAGE BETWEEN THE SUB-BASE AND THE POROUS BACKFILL MATERIAL WHICH WILL AFFECT DRAINAGE TO THE UNDERDRAIN SHALL BE REMOVED PRIOR TO THE PLACEMENT OF PROPOSED POROUS BACKFILL. ALL COST FOR THIS WORK SHALL BE CONSIDERED INCIDENTAL.

REVISIONS		
NUMBER	BY	DATE

0 1 2  
 THIS BAR IS EQUAL TO 2" AT FULL SCALE (34X22).



SPRINGFIELD AIRPORT AUTHORITY  
 ABRAHAM LINCOLN CAPITAL AIRPORT  
 SPRINGFIELD, ILLINOIS

CONSTRUCT RUNWAY 13/31 RSA IMPROVEMENTS  
 UNDERDRAIN DETAILS

© Copyright CMT, Inc.  
**CMT**  
 CRAWFORD, MURPHY & TILLY, INC.  
 CONSULTING ENGINEERS  
 License No. 184-000813



DESIGN BY:	RLV
DRAWN BY:	DPA
CHECKED BY:	RLV
APPROVED BY:	RLV
DATE:	04/24/07
JOB No:	05035-03
IL PROJ. NO.	SPI-3488
AIP PROJ. NO.	3-17-0096-42