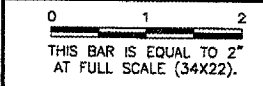


REVISIONS		
NUMBER	BY	DATE



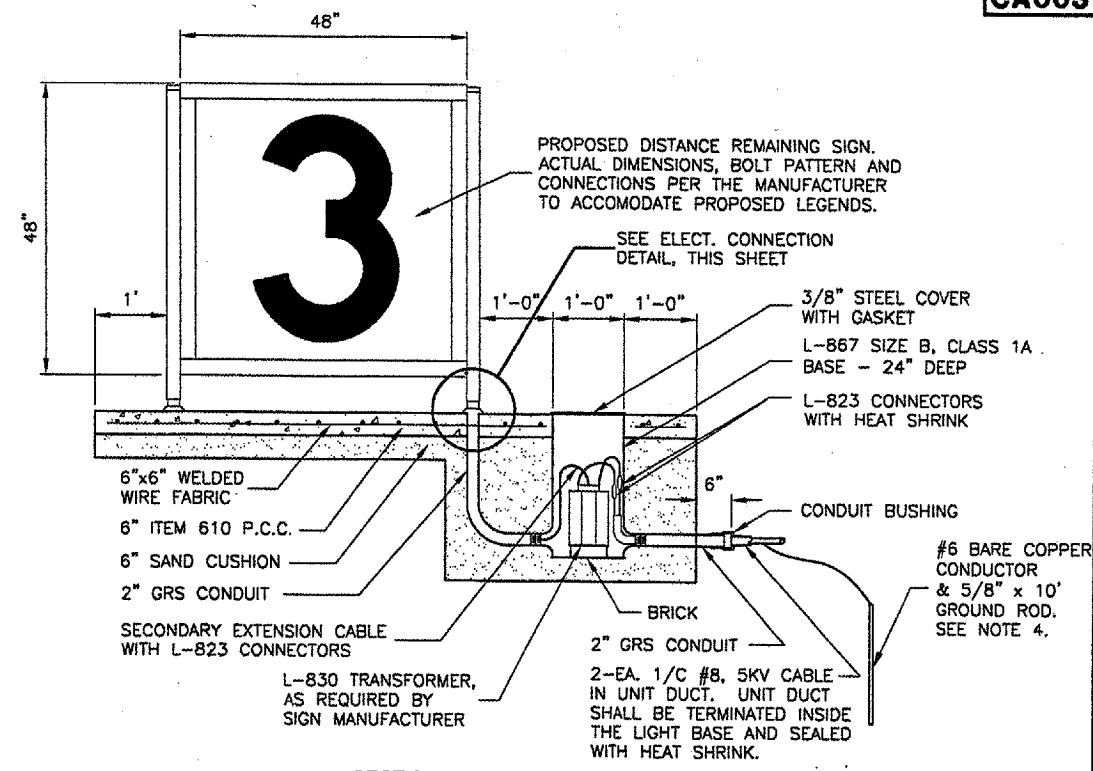
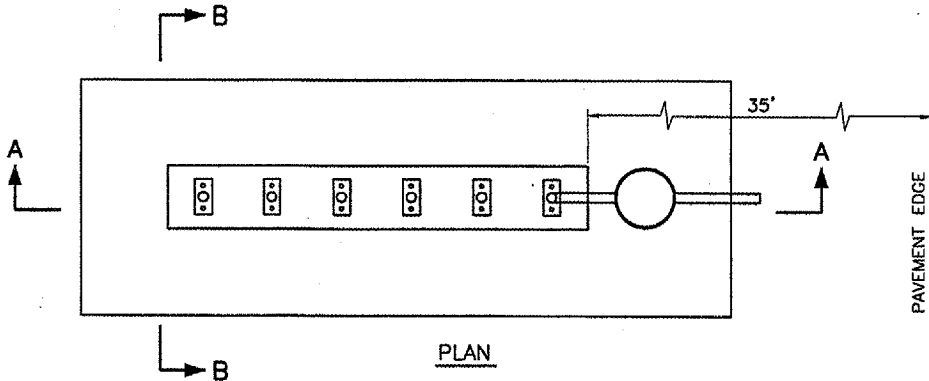
SPRINGFIELD AIRPORT AUTHORITY
ABRAHAM LINCOLN CAPITAL AIRPORT
SPRINGFIELD, ILLINOIS
CONSTRUCT RUNWAY 13/31 RSA IMPROVEMENTS
AIRFIELD SIGNAGE DETAIL

© Copyright CMT, Inc.
CMT
 CRAWFORD, MURPHY & TILLY, INC.
 CONSULTING ENGINEERS
 License No. 84-000813

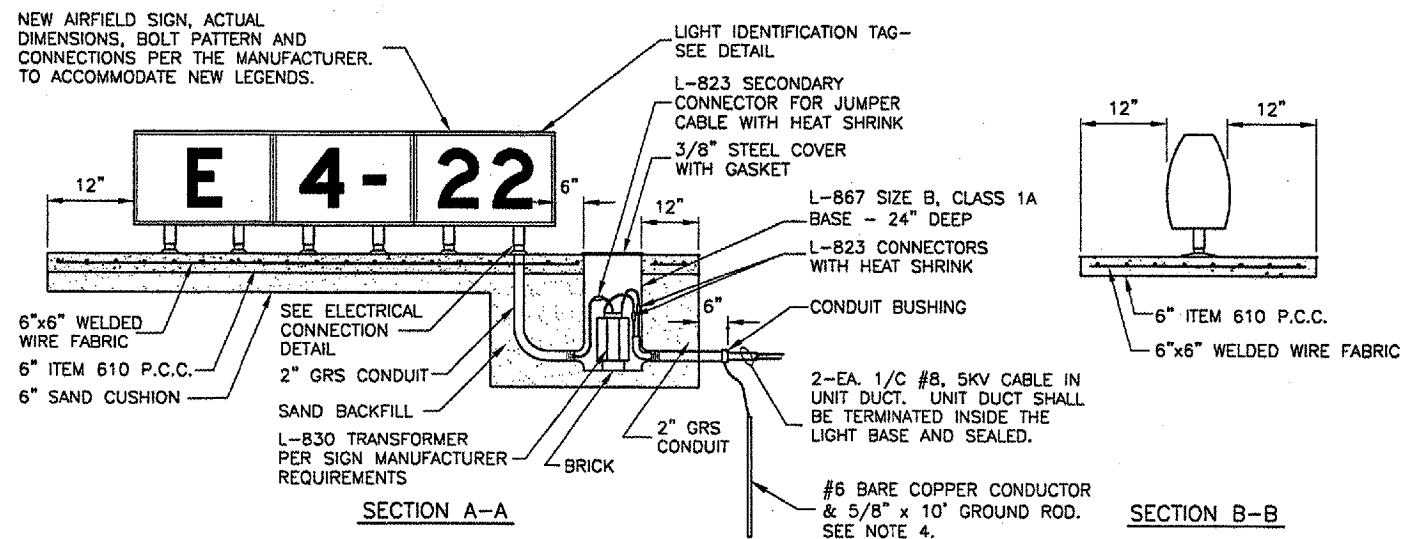
DESIGN BY:	RLV
DRAWN BY:	DPA
CHECKED BY:	RLV
APPROVED BY:	RLV
DATE:	04/24/07
JOB No:	05035-03
IL PROJ. NO.	SPI-3488
AIP PROJ. NO.	3-17-0096-42

AIRFIELD SIGNAGE NOTES

- SIGN SCHEDULE IS SUBJECT TO FAA APPROVAL OF THE SIGNAGE PLAN.
- CHANGES TO NEW LEGENDS MAY OCCUR SUBJECT TO 1 ABOVE.
- CONTRACTOR SHALL SUBMIT SHOP DRAWINGS WITH NEW LEGENDS FOR APPROVAL PRIOR TO STARTING MANUFACTURE.
- EXISTING SIGNS ARE LUMACURVE.

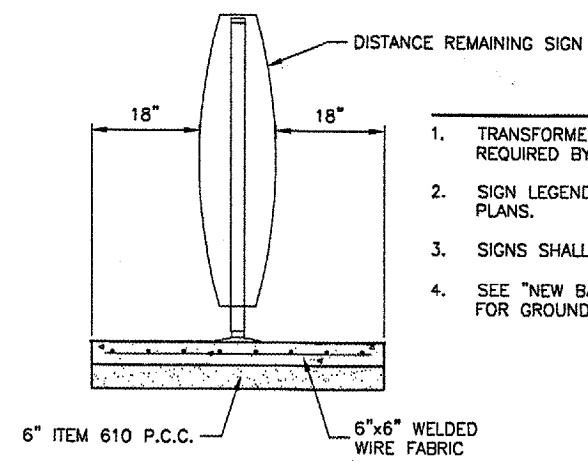


SECTION A-A



L-858 AIRFIELD SIGN DETAILS

N.T.S.

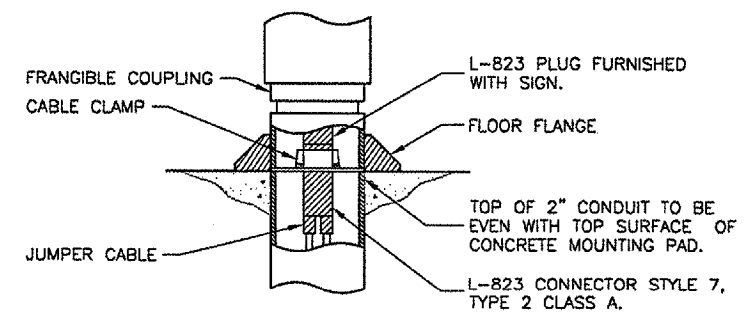


SECTION B-B

NOTES

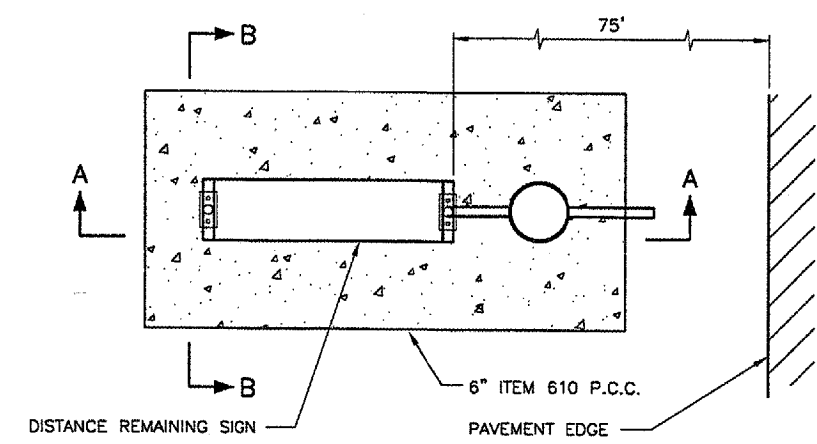
- TRANSFORMER WATTAGE SHALL BE AS REQUIRED BY THE SIGN MANUFACTURER.
- SIGN LEGEND SHALL BE AS SHOWN IN THE PLANS.
- SIGNS SHALL BE SIZE 4, STYLE 3 CLASS 2.
- SEE "NEW BASE MOUNTED EDGE LIGHT" DETAIL FOR GROUNDING DETAILS.

- NOTES**
- TRANSFORMER WATTAGE SHALL BE AS REQUIRED BY SIGN MANUFACTURER.
 - SIGN LEGEND SHALL BE AS SHOWN IN THE PLANS.
 - SIGNS SHALL BE SIZE 2, STYLE 2 OR 3, CLASS 2.
 - SEE "NEW BASE MOUNTED EDGE LIGHT" DETAIL FOR GROUNDING DETAILS.



ELECTRICAL CONNECTION DETAIL

N.T.S.



PLAN

RUNWAY DISTANCE REMAINING SIGN DETAILS

N.T.S.