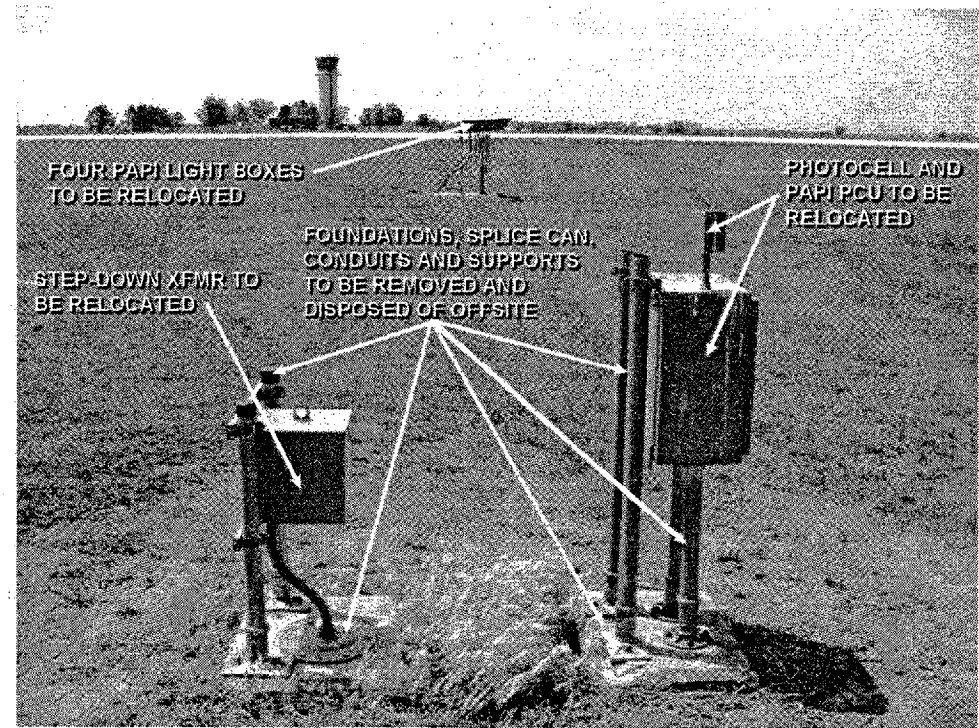
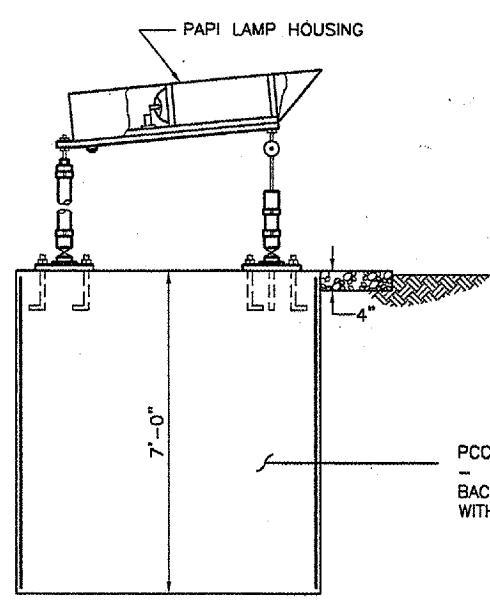


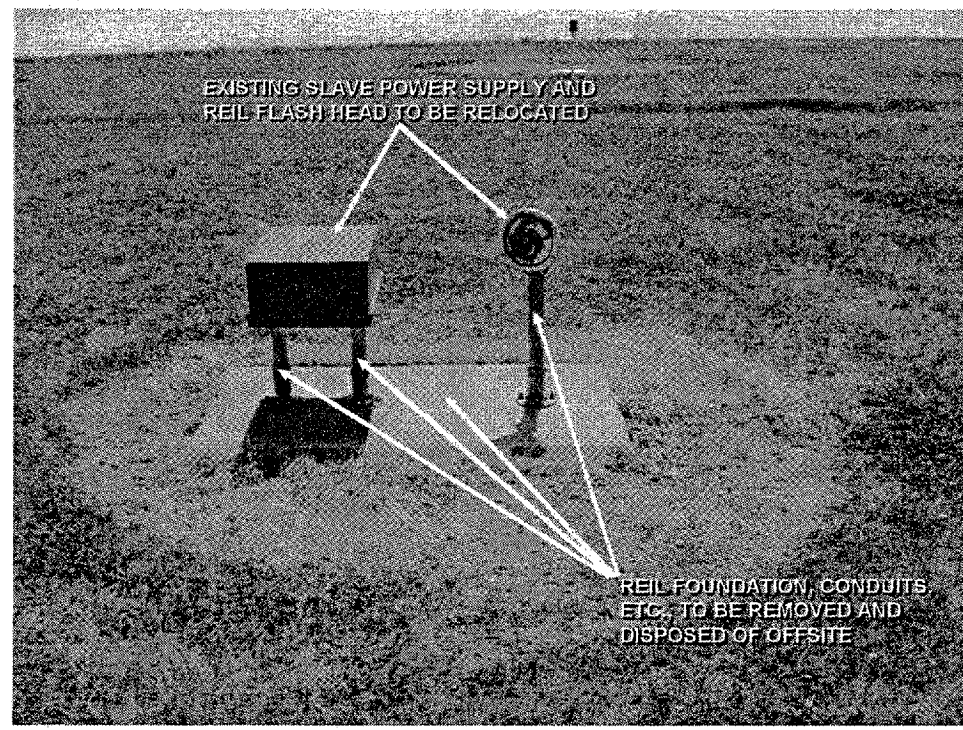
EXISTING REIL



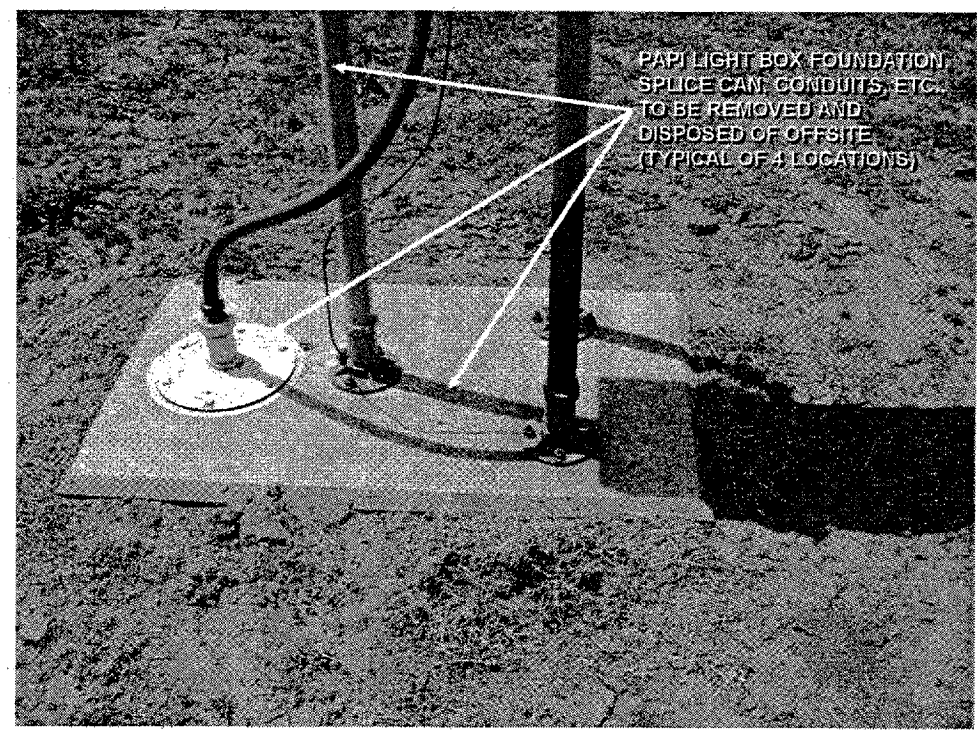
EXISTING PAPI



EXISTING PAPI FOUNDATION REMOVAL
 N.T.S.



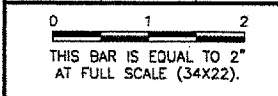
EXISTING REIL



EXISTING PAPI

REVISIONS

NUMBER	BY	DATE



SPRINGFIELD AIRPORT AUTHORITY
 ABRAHAM LINCOLN CAPITAL AIRPORT
 SPRINGFIELD, ILLINOIS

CONSTRUCT RUNWAY 13/31 RSA IMPROVEMENTS
 EXISTING REIL & PAPI DETAILS

© Copyright CMT, Inc.
CMT
 CRAWFORD, MURPHY & TILLY, INC.
 CONSULTING ENGINEERS
 License No. 184-000893



DESIGN BY:	WDP
DRAWN BY:	CMT
CHECKED BY:	RLV
APPROVED BY:	RLV
DATE:	04/24/07
JOB No:	05035-03

IL. PROJ. NO. SPI-3488
 AIP PROJ. NO. 3-17-0096-42