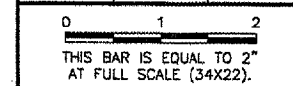


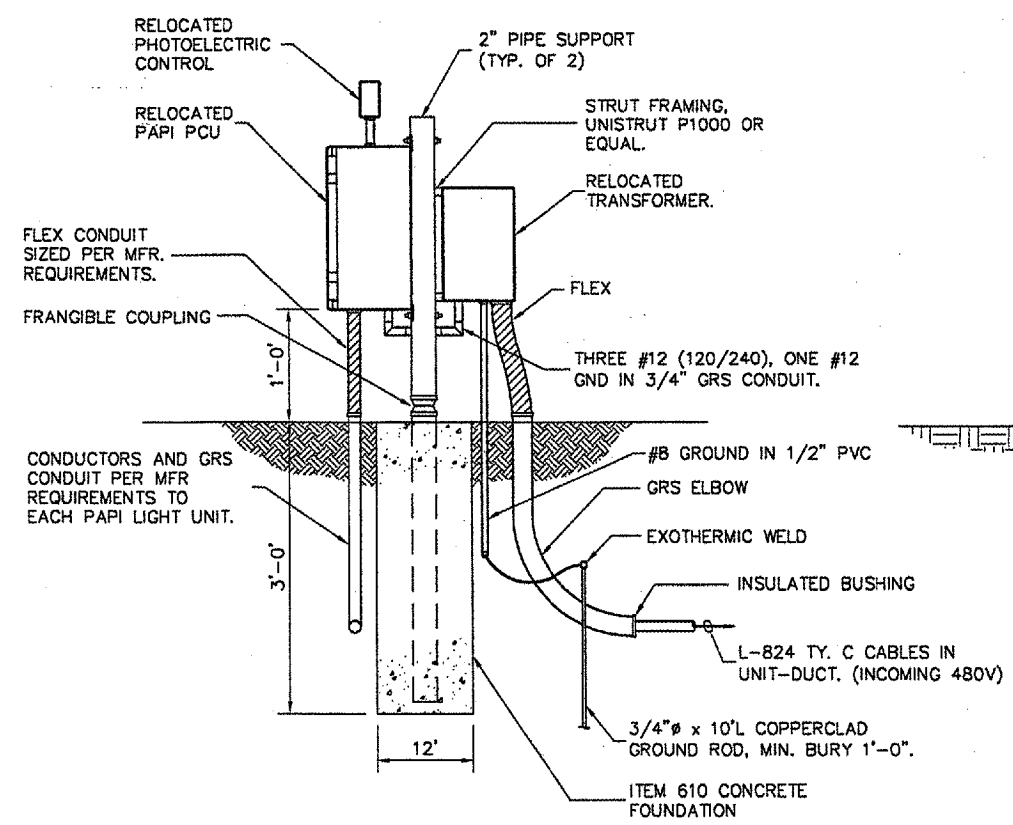
REVISIONS		
NUMBER	BY	DATE



SPRINGFIELD AIRPORT AUTHORITY
 ABRAHAM LINCOLN CAPITAL AIRPORT
 SPRINGFIELD, ILLINOIS
 CONSTRUCT RUNWAY 13/31 RSA IMPROVEMENTS
 RELOCATED REIL AND PAPI DETAILS

© Copyright CMT, Inc.
CMT
 CRAWFORD, MURPHY & TILLY, INC.
 CONSULTING ENGINEERS
 License No. 784-000613

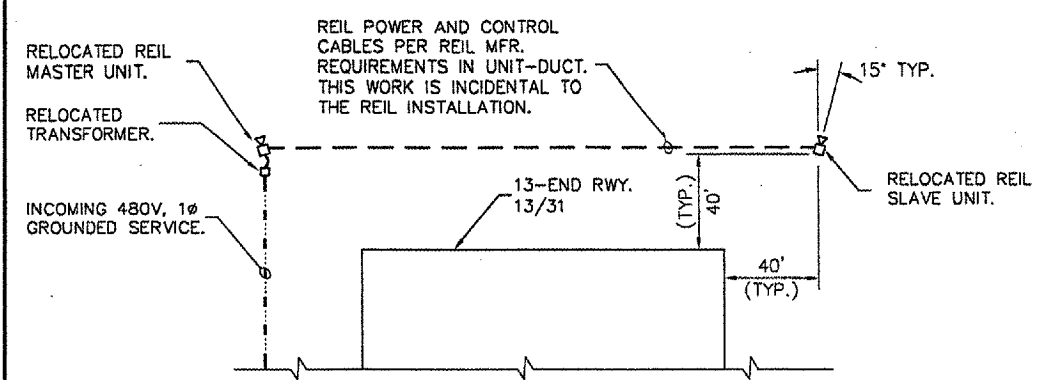
DESIGN BY:	WDP
DRAWN BY:	CMT
CHECKED BY:	RLV
APPROVED BY:	RLV
DATE:	04/24/07
JOB No:	05035-03
IL PROJ. NO.	SPI-3488
AIP PROJ. NO.	3-17-0096-42



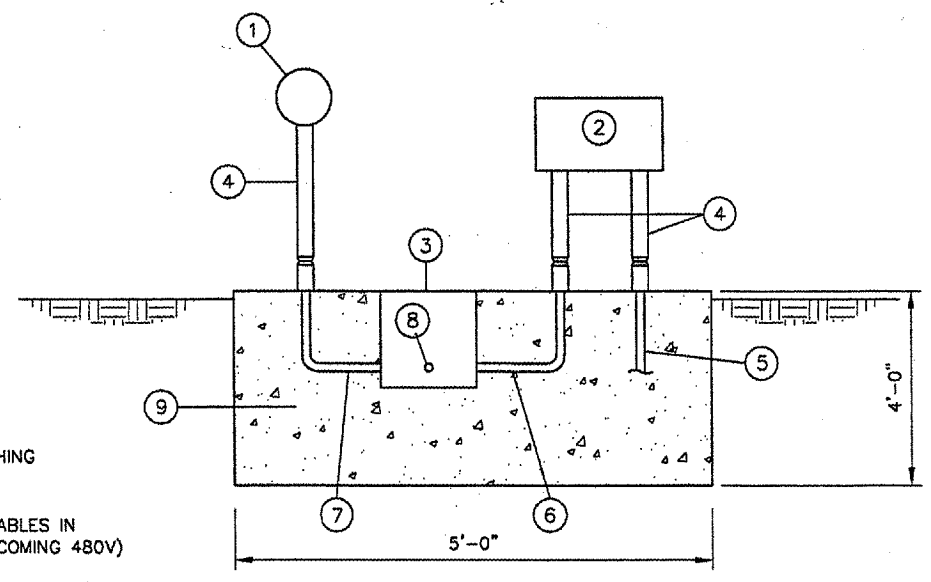
RELOCATED PAPI PCU WIRING DETAIL
N.T.S.

RELOCATED PAPI & REIL NOTES

- PAPI-13: 2-1/C #8, L-824, TY. C, 600V CABLES, 1 #10 GND. IN UNIT-DUCT.
- REIL-13: 2-1/C #6, L-824, TY. C, 600V CABLES, 1 #8 GND. IN UNIT-DUCT.
- GRS CONDUIT IN DIRECT CONTACT WITH THE EARTH SHALL RECEIVE 1 COAT 8 DRY MILS OF 46-413 TNEME-TAR COAL TAR EPOXY AS MANUFACTURED BY TNE MEC CO., OR EQUAL.
- ALL FLEX AND GRS CONDUIT, PVC CONDUIT, UNIT-DUCT, GROUND ROD, TRANSFORMER, STRUT FRAMING, SUPPORTS, FOUNDATION, L-867 BASES, WIRING AND MISCELLANEOUS MATERIALS, LABOR AND EQUIPMENT NEEDED TO PROVIDE POWER AND CONTROL FROM PAPI PCU TO LIGHT BOXES OR REIL MASTER TO SLAVE UNIT SHALL BE CONSIDERED INCIDENTAL TO THE PAPI OR REIL INSTALLATION. SEE SPEC ITEM 125, INCOMING 480V, L-824, TY. C, 600V CABLES WITH GROUND IN UNIT-DUCT SHALL BE MEASURED AND PAID FOR UNDER APPLICABLE PAY ITEM IN ITEM 108 OF SPECIFICATIONS.



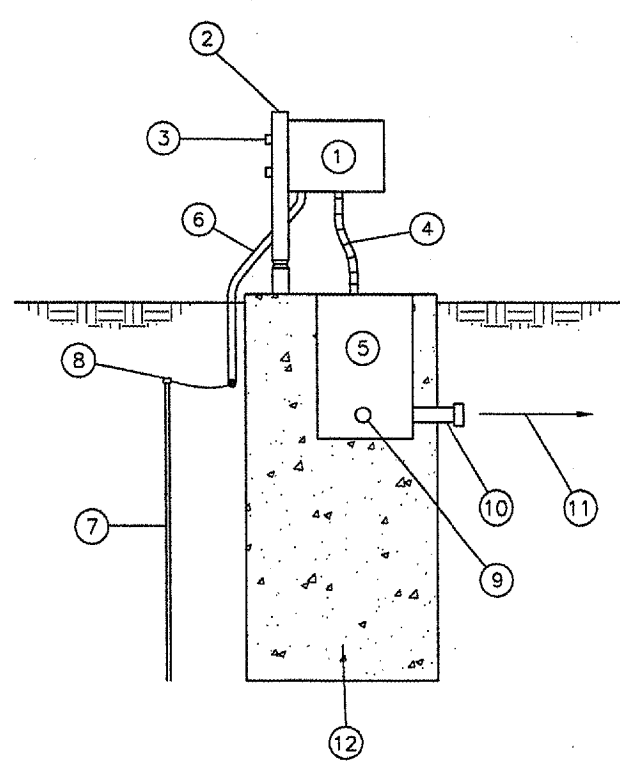
REIL-13 INSTALLATION PLAN VIEW
N.T.S.



REIL ELEVATION
N.T.S.

REIL ELEVATION NOMENCLATURE

- RELOCATED REIL FLASH HEAD
- RELOCATED REIL MASTER OR SLAVE POWER SUPPLY.
- L-867 SPLICE CAN, 12" DIAMETER x 12" DEEP, WITH BLANK COVER. (REQUIRED AT REIL MASTER LOCATION ONLY.)
- 2" PIPE SUPPORT WITH FRANGIBLE COUPLING AND FLOOR FLANGE. CAP SUPPORT.
- AT REIL MASTER LOCATION:
- THREE #12 L-824, 600V CABLES (120/240V POWER), ONE #12 GROUND IN UNIT DUCT TO STEP-DOWN TRANSFORMER. INSTALL UNIT DUCT IN GRS CONDUIT WITHIN LIMITS OF FOUNDATION.
AT REIL SLAVE LOCATION:
- CONDUCTORS PER MANUFACTURER IN UNIT DUCT FROM REIL MASTER LOCATION. INSTALL UNIT DUCT IN GRS CONDUIT WITHIN LIMITS OF FOUNDATION.
- AT REIL MASTER LOCATION:
- REIL MASTER FLASH HEAD WIRING PER MANUFACTURER AND CONDUCTORS PER MANUFACTURER TO REIL SLAVE LOCATION IN GRS CONDUIT.
AT REIL SLAVE LOCATION:
- REIL SLAVE FLASH HEAD WIRING PER MANUFACTURER IN GRS CONDUIT. (L-867 SPLICE CAN NOT REQUIRED.)
- REIL FLASH HEAD WIRING PER MANUFACTURER IN GRS CONDUIT.
- AT REIL MASTER LOCATION:
- CONDUCTORS PER MANUFACTURER TO REIL SLAVE LOCATION IN UNIT DUCT. INSTALL UNIT DUCT IN GRS CONDUIT WITHIN LIMITS OF FOUNDATION.
- ITEM 610 CONCRETE FOUNDATION, 5'-0" LONG BY 2'-0" WIDE BY 4'-0" DEEP.



REIL TRANSFORMER ELEVATION
N.T.S.

REIL TRANSFORMER ELEVATION NOMENCLATURE

- RELOCATED STEP-DOWN TRANSFORMER.
- 2" PIPE SUPPORT WITH FRANGIBLE COUPLING AND FLOOR FLANGE. CAP SUPPORT. (TYPICAL OF TWO)
- STRUT FRAMING, UNISTRUT P1000, OR EQUIVALENT.
- TWO #6 L-824, 600V CABLES (INCOMING 480V), ONE #8 GROUND, THREE #12 L-824, 600V CABLES (OUTGOING 120/240V), ONE #12 GROUND IN LIQUIDTIGHT FLEXIBLE CONDUIT, O-Z GEDNEY FLEXI-GUARD TYPE UAG, OR EQUIVALENT.
- L-867 SPLICE CAN, 12" DIAMETER x 18" DEEP, WITH THREADED HUB COVER SIZED AS REQUIRED FOR FLEXIBLE CONDUIT.
- #6 GROUND IN 1/2" PVC CONDUIT.
- 3/4" DIAMETER x 10' LONG COPPERCLAD GROUND ROD. MINIMUM BURY: 1'-0".
- EXOTHERMIC WELD, CADWELD, OR EQUIVALENT.
- TWO #6 L-824, 600V CABLES (INCOMING 480V), ONE #8 GROUND IN UNIT DUCT. INSTALL UNIT DUCT IN GRS CONDUIT WITHIN LIMITS OF FOUNDATION. SEE CABLING HOMERUN PLAN SHEET FOR ADDITIONAL INFORMATION.
- GRS CONDUIT WITH INSULATING BUSHING. (TYPICAL ALL GRS CONDUIT INSTALLATIONS IN PAPI AND REIL FOUNDATIONS.)
- THREE #12 L-824, 600V CABLES (OUTGOING 120/240V TO REIL MASTER LOCATION), ONE #12 GROUND IN UNIT DUCT.
- ITEM 610 CONCRETE FOUNDATION, 2'-0" SQUARE, 4'-0" DEEP.