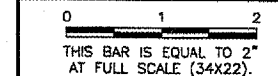


REVISIONS		
NUMBER	BY	DATE

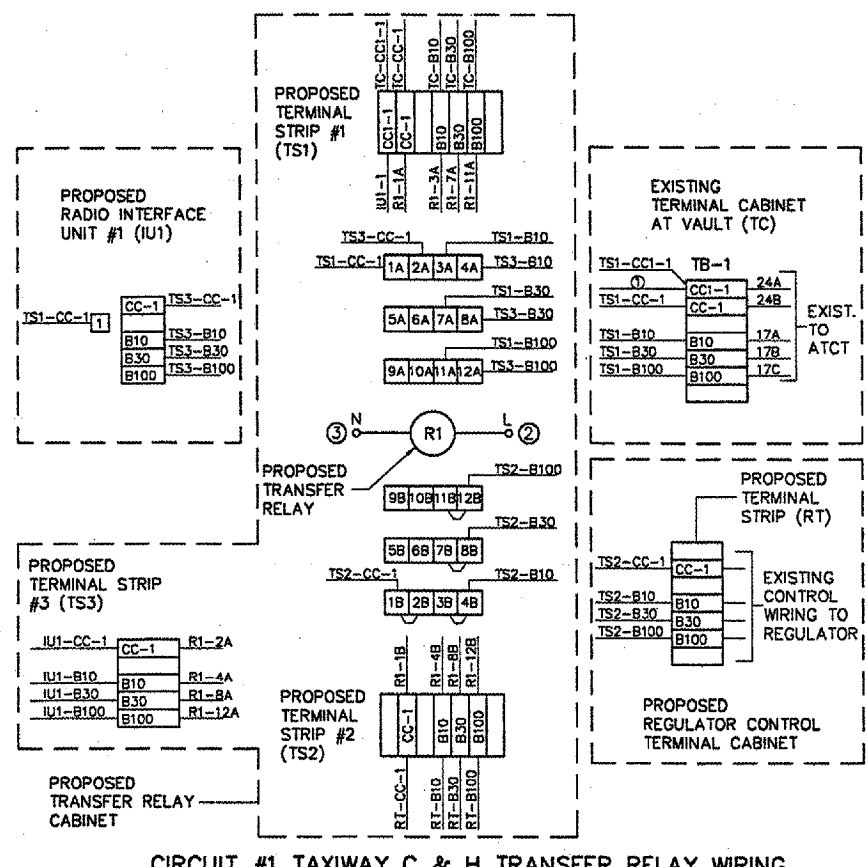


SPRINGFIELD AIRPORT AUTHORITY  
 ABRAHAM LINCOLN CAPITAL AIRPORT  
 SPRINGFIELD, ILLINOIS  
 CONSTRUCT RUNWAY 13/31 RSA IMPROVEMENTS  
 RECORD DRAWING 1

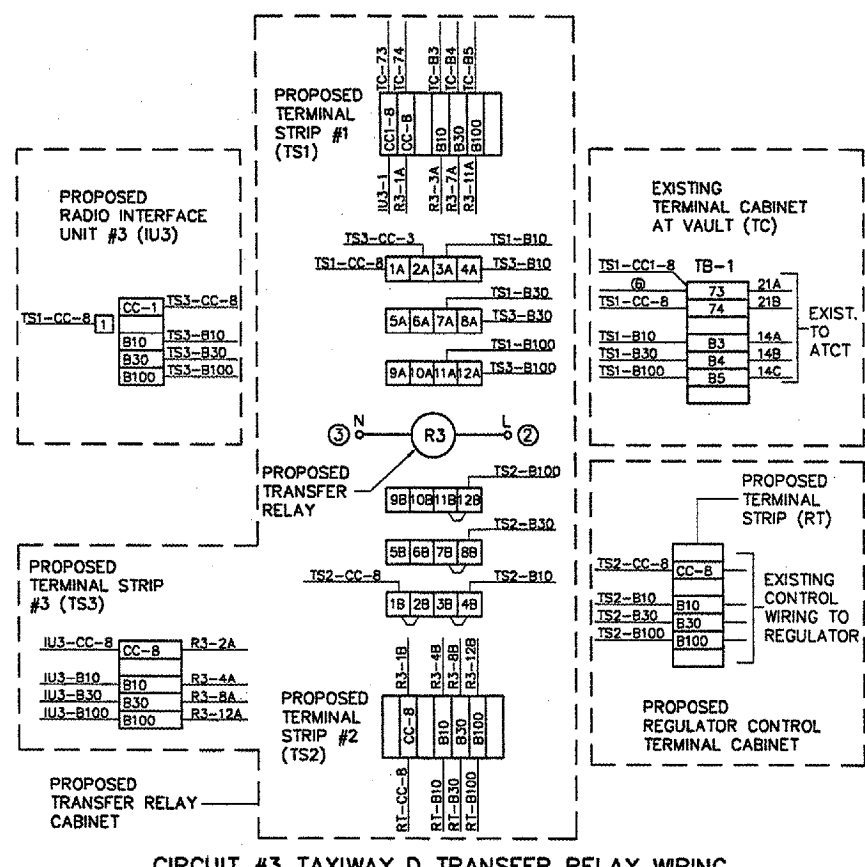
© Copyright CMT, Inc.  
**CMT**  
 CRAWFORD, MURPHY & TILLY, INC.  
 CONSULTING ENGINEERS  
 License No. 94-000693

DESIGN BY:	CMT
DRAWN BY:	CMT
CHECKED BY:	RW
APPROVED BY:	RW
DATE:	04/24/07
JOB No:	05035-03

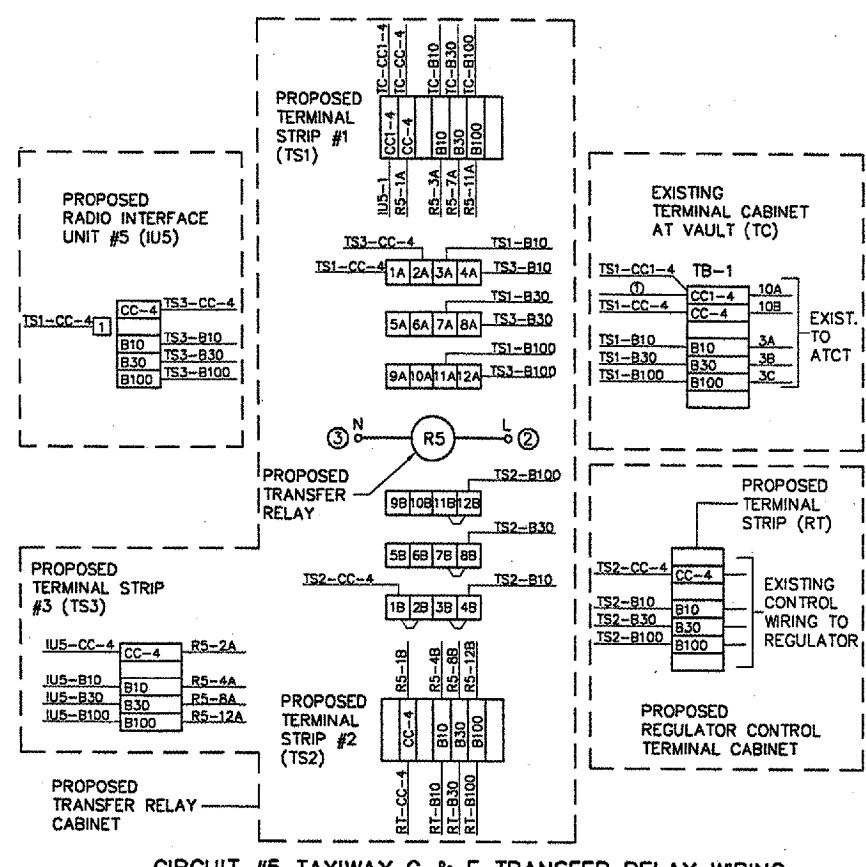
IL PROJ. NO. SPI-3488  
 AIP PROJ. NO. 3-17-0096-42



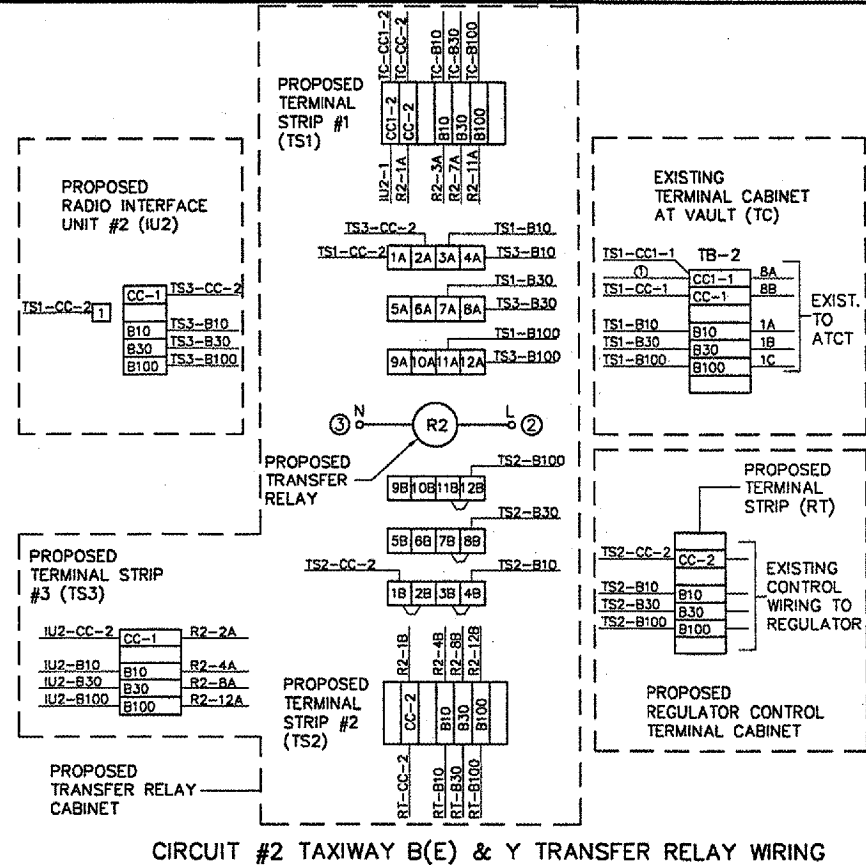
CIRCUIT #1 TAXIWAY C & H TRANSFER RELAY WIRING



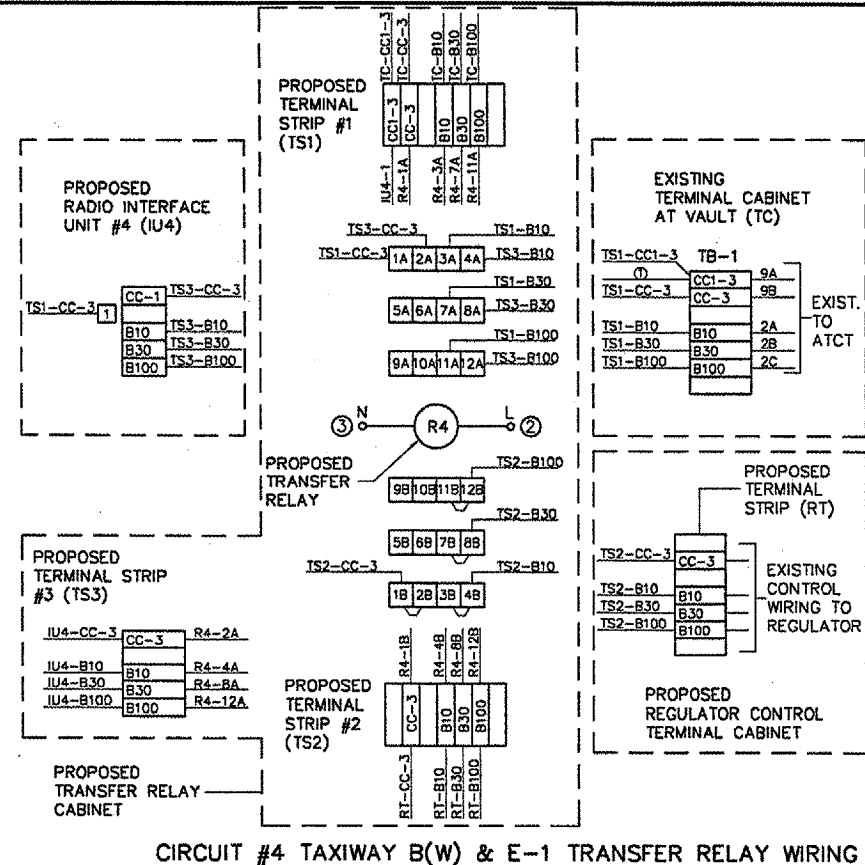
CIRCUIT #3 TAXIWAY D TRANSFER RELAY WIRING



CIRCUIT #5 TAXIWAY G & F TRANSFER RELAY WIRING



CIRCUIT #2 TAXIWAY B(E) & Y TRANSFER RELAY WIRING



CIRCUIT #4 TAXIWAY B(W) & E-1 TRANSFER RELAY WIRING

**TRANSFER RELAY CABINET NOTES:**

- 120 V CONTROL FROM EXISTING DISTRIBUTION PANEL.
- SEE AIR-TO-GROUND CONTROL WIRING DIAGRAM.
- SEE AIR-TO-GROUND CONTROL WIRING DIAGRAM
- ALL TRANSFER RELAYS TO BE 12-POLE, SQUARE D TYPE X040, OR EQUIVALENT. CONTACT BLOCKS TO BE ARRANGED AS SHOWN:  

CONTACT	X	X	X	O
	X	O	X	O
	X	O	X	O
	X	O	X	O
- PROPOSED TRANSFER RELAYS, PROPOSED TERMINAL STRIPS #1, #2 AND #3 PROPOSED AIR-TO-GROUND RELAY SHALL BE INSTALLED IN HINGED NEMA 12 ENCLOSURE, HOFFMAN, OR EQUIVALENT. PROVIDE SPACE FOR MINIMUM OF THREE FUTURE TRANSFER RELAYS.
- PROVIDE NEW 120V CONTROL POWER CIRCUIT FOR PROPOSED TAXIWAY CIRCUIT #3 AND TAXIWAY CIRCUIT #7 REGULATORS. INSTALL 20A, 1 POLE CIRCUIT BREAKER IN EXISTING DISTRIBUTION PANEL AND 2 # 12 THWN, 1 #12 GROUND TO EXISTING VAULT TERMINAL CABINET FOR EACH REGULATOR.

**RECORD DRAWING**

THIS PLAN SHEET IS PROVIDED FOR INFORMATION ONLY TO ASSIST THE CONTRACTOR IN MAKING THE MODIFICATIONS SHOWN ON THE PLANS AND IN THE SPECIFICATIONS. THE INFORMATION PROVIDED IS BASED ON BEST-AVAILABLE RECORD DRAWINGS OF EXISTING CONDITIONS IN THE VAULT. THE CONTRACTOR SHALL VERIFY ALL EXISTING CONDITIONS PRIOR TO COMMENCING WORK.