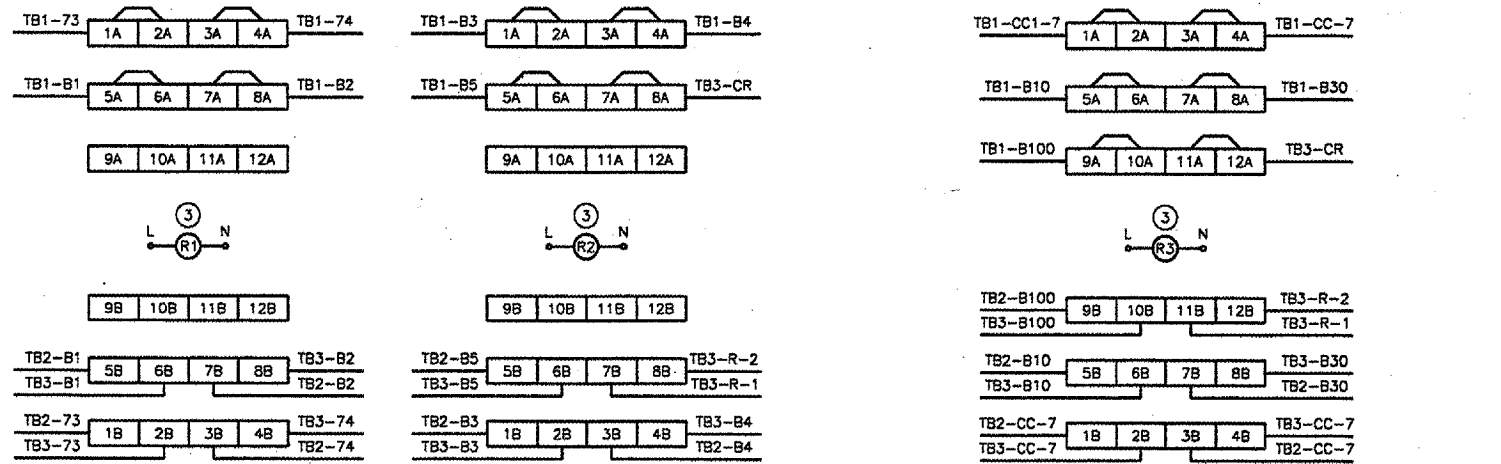
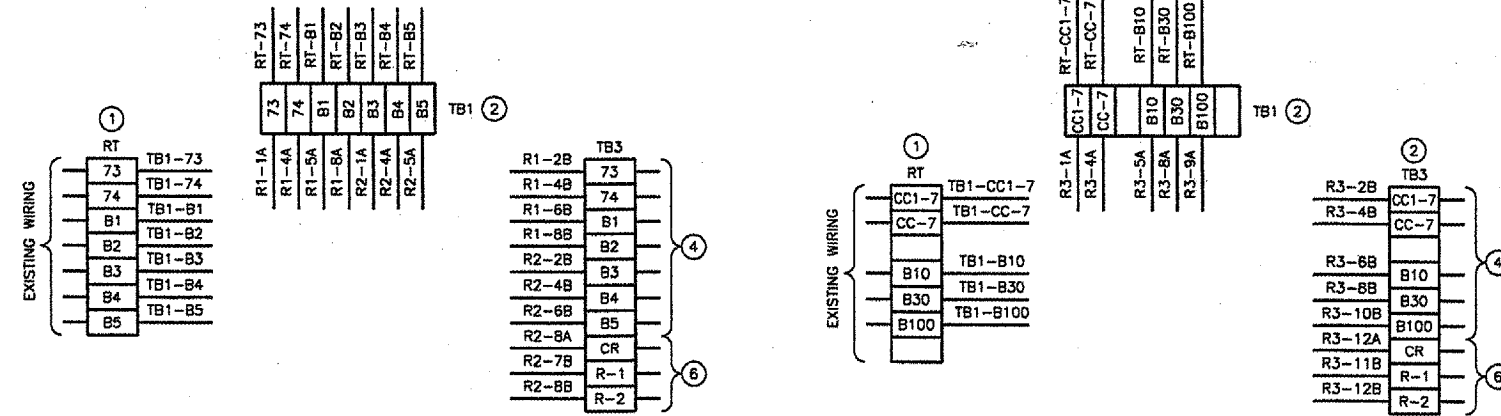


**SCHEMATIC LEGEND**

- ① TWO-POSITION SELECTOR SWITCH, SQUARE D TYPE S, NEMA 4X, NON-METALLIC, 10A RATED CONTACTS. MOUNT ON COVER OF CONTROL PANEL. PROVIDE LEGEND PLATE AS SHOWN.
  - ② TRANSFER RELAY, SQUARE D TYPE X012, 12-POLE, 10A RATED CONTACTS. SEE TRANSFER RELAY CONTACT WIRING DETAIL, THIS SHEET, FOR ADDITIONAL INFORMATION. CONTACTS TO BE ARRANGED AS SHOWN:
- |         |   |   |   |   |
|---------|---|---|---|---|
| CONTACT | X | O | X | O |
| ARRAY   | X | O | X | O |
|         | X | O | X | O |
- X = NORMALLY CLOSED  
O = NORMALLY OPENED
- ③ PUSH-TO-TEST INDICATING LIGHT, SQUARE D TYPE S, NON-METALLIC, TRANSFORMER TYPE, WITH RED LENS. MOUNT ON COVER OF CONTROL PANEL. PROVIDE LEGEND PLATE AS SHOWN.
  - ④ IN-LINE FUSE HOLDER WITH 10A SLOW-BLOW FUSE.



**LEGEND AND NOTES**

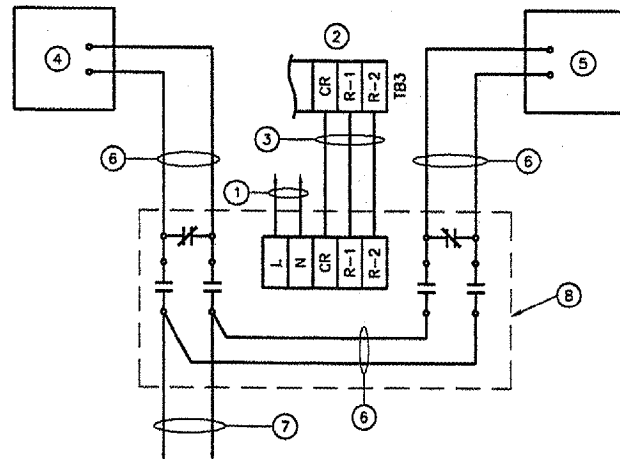
- ① EXISTING TERMINAL STRIP IN EXISTING TERMINAL CABINET AND TRANSFER RELAY CABINET FOR INTERFACING PCAL SYSTEM CONTROL WIRING AND VAULT CONTROL WIRING. (PART OF 1994 VAULT IMPROVEMENTS.) EXISTING CONTROL WIRING FROM THIS TERMINAL STRIP TO EXISTING RUNWAY 4/22 REGULATOR SHALL BE DISCONNECTED AND RELOCATED TO PROPOSED TERMINAL STRIP TB2. SEE NOTE #5.
- ② PROPOSED TERMINAL STRIPS, SQUARE D TYPE G, MINIMUM VOLTAGE RATING OF 300V. PROVIDE LABELS FOR TERMINALS AND TERMINAL STRIPS AS SHOWN. INSTALL IN PROPOSED RUNWAY 13/31 AND RUNWAY 4/22 REGULATOR SELECT CONTROL PANEL.
- ③ TRANSFER RELAY, SQUARE D TYPE X012, 12-POLE, 10A RATED CONTACTS. SEE RUNWAY 13/31 AND RUNWAY 4/22 REGULATOR SELECT CONTROL PANEL SCHEMATIC DETAIL, THIS SHEET, FOR ADDITIONAL INFORMATION. INSTALL IN PROPOSED RUNWAY 13/31 AND RUNWAY 4/22 REGULATOR SELECT CONTROL PANEL.
- ④ PROPOSED #12 THWN WIRING TO RUNWAY 4/22 BACKUP REGULATOR. ROUTE WIRING VIA EXISTING RACEWAYS AND WIREWAYS WHEREVER POSSIBLE.
- ⑤ PROPOSED #12 THWN WIRING TO RUNWAY 4/22 REGULATOR. CONTRACTOR MAY RE-USE EXISTING CONTROL WIRING TO THIS REGULATOR AND EXTEND THE WIRING TO TERMINAL STRIP TB2 FROM EXISTING TERMINAL CABINET AND TRANSFER RELAY CABINET FOR INTERFACING PCAL SYSTEM CONTROL WIRING AND VAULT CONTROL WIRING. (PART OF 1994 VAULT IMPROVEMENTS.) IF SO, SPLICES SHALL BE MADE WITH IN-LINE BUTT SPLICES WITH TAPE OVERLAY. ROUTE WIRING VIA EXISTING RACEWAYS AND WIREWAYS WHEREVER POSSIBLE.
- ⑥ PROPOSED #12 THWN WIRING TO RUNWAY 4/22 CIRCUIT SELECTOR SWITCH. ROUTE WIRING VIA EXISTING RACEWAYS AND WIREWAYS WHEREVER POSSIBLE.

**RUNWAY 4/22 REGULATOR TRANSFER RELAY WIRING**

**LEGEND AND NOTES**

- ① EXISTING TERMINAL STRIP IN EXISTING TERMINAL CABINET AND TRANSFER RELAY CABINET FOR INTERFACING PCAL SYSTEM CONTROL WIRING AND VAULT CONTROL WIRING. (PART OF 1994 VAULT IMPROVEMENTS.) EXISTING CONTROL WIRING FROM THIS TERMINAL STRIP TO EXISTING RUNWAY 13/31 REGULATOR SHALL BE DISCONNECTED AND RELOCATED TO PROPOSED TERMINAL STRIP TB2. SEE NOTE #5.
- ② PROPOSED TERMINAL STRIPS, SQUARE D TYPE G, MINIMUM VOLTAGE RATING OF 300V. PROVIDE LABELS FOR TERMINALS AND TERMINAL STRIPS AS SHOWN. INSTALL IN PROPOSED RUNWAY 13/31 AND RUNWAY 4/22 REGULATOR SELECT CONTROL PANEL.
- ③ TRANSFER RELAY, SQUARE D TYPE X012, 12-POLE, 10A RATED CONTACTS. SEE RUNWAY 13/31 AND RUNWAY 4/22 REGULATOR SELECT CONTROL PANEL SCHEMATIC DETAIL, THIS SHEET, FOR ADDITIONAL INFORMATION. INSTALL IN PROPOSED RUNWAY 13/31 AND RUNWAY 4/22 REGULATOR SELECT CONTROL PANEL.
- ④ PROPOSED #12 THWN WIRING TO RUNWAY 13/31 BACKUP REGULATOR. ROUTE WIRING VIA EXISTING RACEWAYS AND WIREWAYS WHEREVER POSSIBLE.
- ⑤ PROPOSED #12 THWN WIRING TO RUNWAY 13/31 REGULATOR. CONTRACTOR MAY RE-USE EXISTING CONTROL WIRING TO THIS REGULATOR AND EXTEND THE WIRING TO TERMINAL STRIP TB2 FROM EXISTING TERMINAL CABINET AND TRANSFER RELAY CABINET FOR INTERFACING PCAL SYSTEM CONTROL WIRING AND VAULT CONTROL WIRING. (PART OF 1994 VAULT IMPROVEMENTS.) IF SO, SPLICES SHALL BE MADE WITH IN-LINE BUTT SPLICES WITH TAPE OVERLAY. ROUTE WIRING VIA EXISTING RACEWAYS AND WIREWAYS WHEREVER POSSIBLE.
- ⑥ PROPOSED #12 THWN WIRING TO RUNWAY 13/31 CIRCUIT SELECTOR SWITCH. ROUTE WIRING VIA EXISTING RACEWAYS AND WIREWAYS WHEREVER POSSIBLE.

**RUNWAY 13/31 REGULATOR TRANSFER RELAY WIRING**



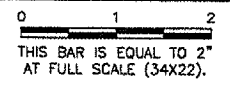
**LEGEND AND NOTES**

- ① PROPOSED 120V POWER WIRING FROM RUNWAY 13/31 AND RUNWAY 4/22 REGULATOR SELECT CONTROL PANEL. ROUTE WIRING VIA EXISTING RACEWAYS AND WIREWAYS WHEREVER POSSIBLE.
- ② PROPOSED TERMINAL STRIP IN PROPOSED RUNWAY 13/31 AND RUNWAY 4/22 REGULATOR SELECT CONTROL PANEL. SEE REGULATOR TRANSFER RELAY WIRING DETAILS, THIS SHEET FOR MORE INFORMATION.
- ③ PROPOSED #12 THWN WIRING. ROUTE WIRING VIA EXISTING RACEWAYS AND WIREWAYS WHEREVER POSSIBLE.
- ④ NORMAL REGULATOR.
- ⑤ BACKUP REGULATOR.
- ⑥ PROPOSED #8, L-B24, TYPE C, 5KV CABLES.
- ⑦ PROPOSED #8, L-B24, TYPE C, 5KV CABLES. SPLICE TO EXISTING RUNWAY SERIES CIRCUIT HOMERUN WIRING USING L-825 CONNECTORS.
- ⑧ PROPOSED CIRCUIT SELECTOR SWITCH, CROUSE-HINDS (OR EQUIVALENT) CATALOG NUMBER 30847-2-B-9, L-847-2, CLASS A (NEMA 1 ENCLOSURE), EXCLUSIVE CIRCUIT SELECTION, BACKUP REGULATOR SWITCHING.

**TYPICAL CIRCUIT SELECTOR SWITCH WIRING DETAIL**

**RECORD DRAWING**  
 THIS PLAN SHEET IS PROVIDED FOR INFORMATION ONLY TO ASSIST THE CONTRACTOR IN MAKING THE MODIFICATIONS SHOWN ON THE PLANS AND IN THE SPECIFICATIONS. THE INFORMATION PROVIDED IS BASED ON BEST-AVAILABLE RECORD DRAWINGS OF EXISTING CONDITIONS IN THE VAULT. THE CONTRACTOR SHALL VERIFY ALL EXISTING CONDITIONS PRIOR TO COMMENCING WORK.

REVISIONS		
NUMBER	BY	DATE



**SPRINGFIELD AIRPORT AUTHORITY  
 ABRAHAM LINCOLN CAPITAL AIRPORT  
 SPRINGFIELD, ILLINOIS**

**CONSTRUCT RUNWAY 13/31 RSA IMPROVEMENTS  
 RECORD DRAWING 3**

© Copyright CMT, Inc.  
**CMT**  
 CRAWFORD, MURPHY & TILLY, INC.  
 CONSULTING ENGINEERS  
 License No. 984-000619

DESIGN BY:	WDP
DRAWN BY:	CMT
CHECKED BY:	RLV
APPROVED BY:	RLV
DATE:	04/24/07
JOB No:	05035-03
IL PROJ. NO.	SPI-3488
AIP PROJ. NO.	3-17-0096-42