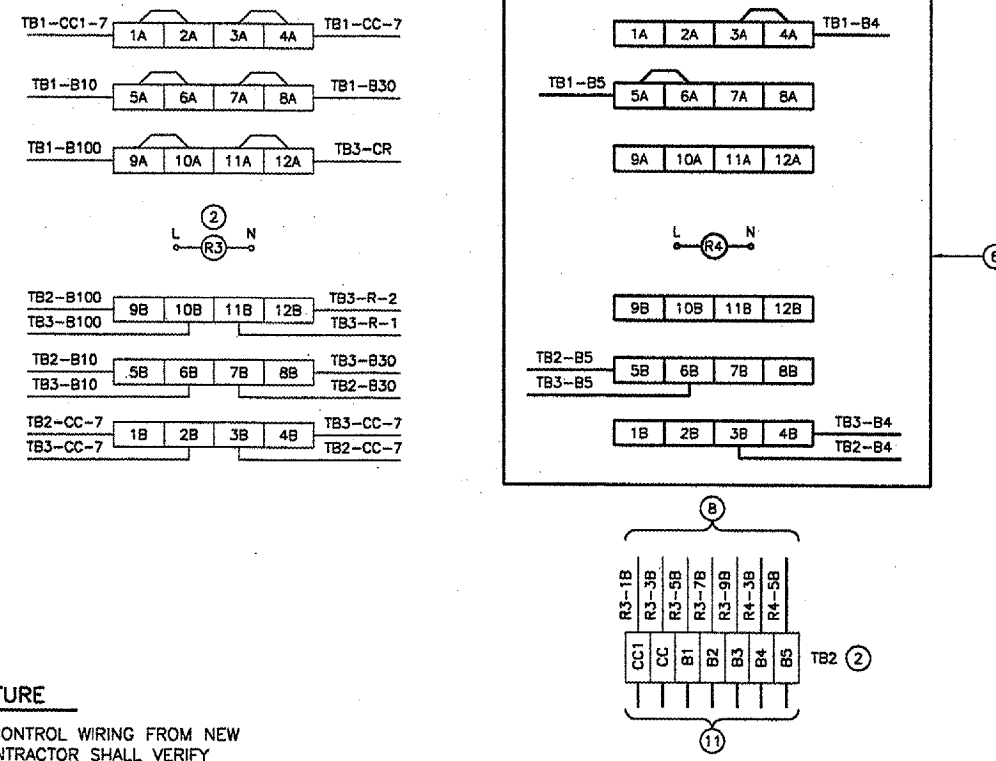
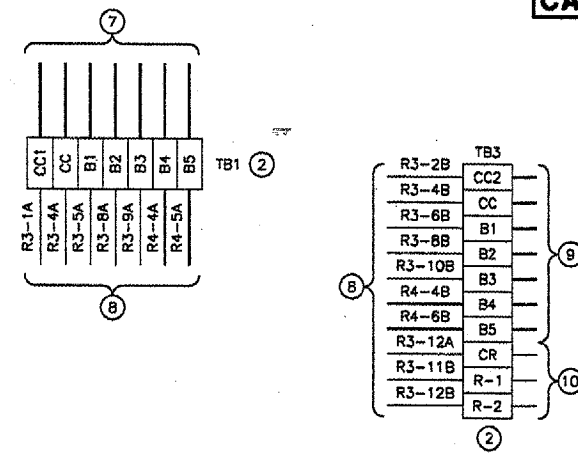


**RUNWAY 4/22 REGULATOR TRANSFER
 RELAY WIRING MODIFICATIONS**



**RUNWAY 13/31 REGULATOR TRANSFER
 RELAY WIRING MODIFICATIONS**

REVISIONS		
NUMBER	BY	DATE

0 1 2
 THIS BAR IS EQUAL TO 2"
 AT FULL SCALE (34X22).

SPRINGFIELD AIRPORT AUTHORITY
ABRAHAM LINCOLN CAPITAL AIRPORT
SPRINGFIELD, ILLINOIS
CONSTRUCT RUNWAY 13/31 RSA IMPROVEMENTS
REGULATOR SELECT PANEL MODIFICATIONS

REGULATOR SELECT PANEL MODIFICATIONS NOMENCLATURE

- ① NEW 120V WIRING FROM EXISTING PANELBOARD AND 5-STEP CONTROL WIRING FROM NEW DISTRIBUTED CONTROL AND MONITORING INTERFACE (DCMI). CONTRACTOR SHALL VERIFY WIRING BEFORE COMMENCING THE WORK.
- ② EXISTING TERMINAL STRIPS AND TRANSFER RELAYS AND INTERNAL WIRING. CONTRACTOR SHALL VERIFY WIRING BEFORE COMMENCING THE WORK.
- ③ EXISTING CONTROL WIRING TO RWY 04/22 BACKUP REGULATOR. CONTRACTOR SHALL VERIFY WIRING BEFORE COMMENCING THE WORK.
- ④ EXISTING CONTROL WIRING TO RWY 04/22 L-847 CIRCUIT SELECTOR SWITCH. CONTRACTOR SHALL VERIFY WIRING BEFORE COMMENCING THE WORK.
- ⑤ EXISTING CONTROL WIRING TO RWY 04/22 REGULATOR. CONTRACTOR SHALL VERIFY WIRING BEFORE COMMENCING THE WORK.
- ⑥ CONTRACTOR SHALL DISCONNECT AND REMOVE ONE OF THE TRANSFER RELAYS FROM THE EXISTING L-854 PCAL SYSTEM TRANSFER RELAY CABINET AND RELOCATE TO REGULATOR SELECT CONTROL PANEL. INSTALL NEW INTERNAL WIRING AS SHOWN.
- ⑦ NEW 120V WIRING FROM EXISTING PANELBOARD AND 5-STEP CONTROL WIRING FROM NEW DISTRIBUTED CONTROL AND MONITORING INTERFACE (DCMI). CONTRACTOR SHALL VERIFY WIRING BEFORE COMMENCING THE WORK.
- ⑧ EXISTING AND NEW INTERNAL WIRING. NOTE THAT SOME OF THE EXISTING WIRING HAS BEEN RELOCATED TO OTHER TERMINAL BLOCKS ON EACH TERMINAL STRIP. CONTRACTOR SHALL RELABEL EXISTING TERMINAL BLOCKS AS SHOWN. CONTRACTOR SHALL VERIFY WIRING BEFORE COMMENCING THE WORK.
- ⑨ NEW CONTROL WIRING TO RWY 13/31 BACKUP REGULATOR. CONTRACTOR SHALL VERIFY WIRING BEFORE COMMENCING THE WORK.
- ⑩ EXISTING CONTROL WIRING TO RWY 13/31 L-847 CIRCUIT SELECTOR SWITCH. CONTRACTOR SHALL VERIFY WIRING BEFORE COMMENCING THE WORK.
- ⑪ NEW CONTROL WIRING TO RWY 13/31 REGULATOR. CONTRACTOR SHALL VERIFY WIRING BEFORE COMMENCING THE WORK.

© Copyright CMT, Inc.
CMT
 CRAWFORD, MURPHY & TILLY, INC.
 CONSULTING ENGINEERS
 License No. 784-0001B

DESIGN BY:	WDP
DRAWN BY:	CMT
CHECKED BY:	<i>RW</i>
APPROVED BY:	<i>RW</i>
DATE:	04/24/07
JOB No:	05035-03
IL PROJ. NO. SPI-3488	
AIP PROJ. NO. 3-17-0096-42	