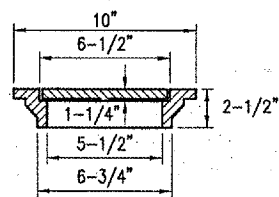
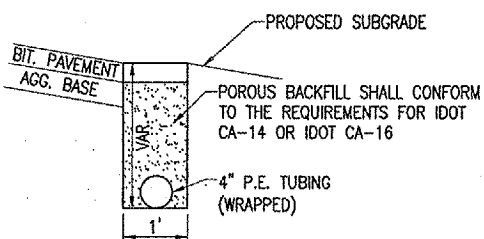


PIPE UNDERDRAIN CONNECTION
"NOT TO SCALE"

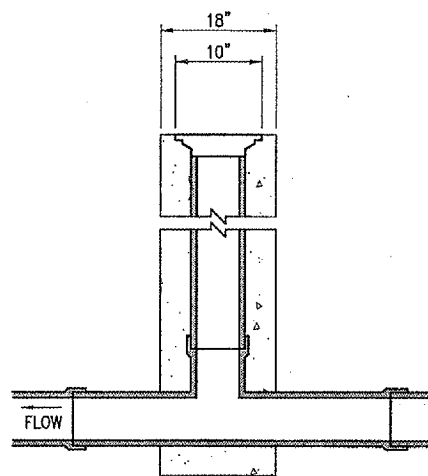


CAST IRON FRAME AND COVER

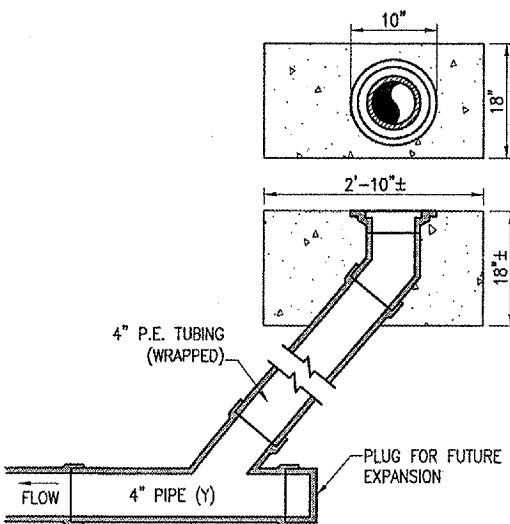
NEENAH R-6013, DEETER 1810,
EAST JORDAN 2790-6 OR
APPROVED EQUAL



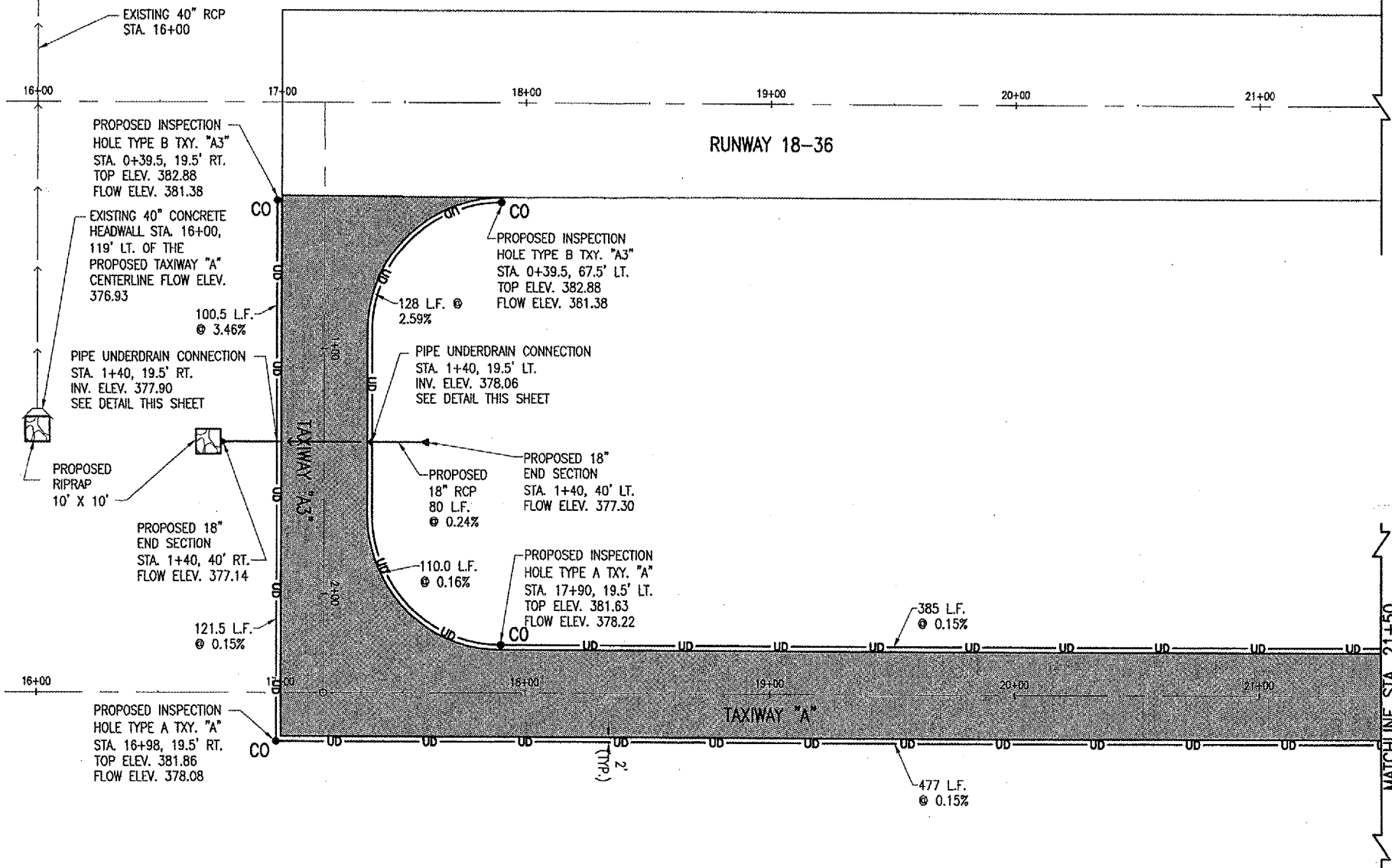
UNDERDRAIN DETAIL
"NOT TO SCALE"



INSPECTION HOLE-TYPE A



INSPECTION HOLE-TYPE B



UNDERDRAIN NOTES

THE CONTRACTOR SHALL INSTALL THE PROPOSED 4" P.E. TUBING UNDERDRAINS TO THE DEPTH AND GRADES SHOWN ON THIS SHEET. THE UNDERDRAINS SHALL BE INSTALLED AFTER THE AGGREGATE HAS BEEN COMPLETED.

THE 4" P.E. TUBING SHALL BE CAPPED AT THE ENDS WHICH DO NOT CONNECT INTO STRUCTURES.

THE TRENCH SHALL BE BACKFILLED AND COMPACTED WITH POROUS BACKFILL CA-14 OR CA-16 MATERIAL. THE TRENCH LOCATED IN THE PROPOSED PAVEMENT AREAS WILL BE BACKFILLED AS SHOWN IN THE DETAIL ON THIS SHEET. THE TRENCH LOCATED IN TURF AREAS SHALL BE BACKFILLED UP TO WITHIN 1 FT. OF THE EXISTING GROUND ELEVATION. THE REMAINING 1 FT. OF TRENCH WILL BE BACKFILLED AND COMPACTED WITH EARTH MATERIAL.

THE POROUS BACKFILL SHALL CONFORM TO THE REQUIREMENTS FOR IDOT CA-14 OF IDOT CA-16.

THE CONNECTION TO THE PROPOSED 18" RCP WILL BE CONSIDERED INCIDENTAL TO THE "4" PERFORATED UNDERDRAIN W/ SOCK" ITEM AND NO ADDITIONAL COMPENSATION WILL BE ALLOWED.

THE PROPOSED UNDERDRAINS AND BACKFILLED MATERIAL WILL BE PAID FOR UNDER THE FOLLOWING ITEMS:

- AR705410 "POROUS BACKFILL" - PER CY.
- AR705524 "4" PERFORATED UNDERDRAIN W/ SOCK" - PER LF.

INSPECTION HOLE NOTES

DIAMETER OF PIPE AS SPECIFIED.

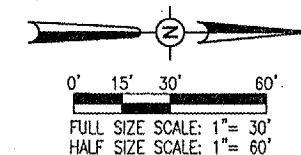
TOP OF INSPECTION HOLES SHALL BE 2" ABOVE FINISH GROUND LINE AT LOCATION SHOWN ON PLANS.

1/2" CHAMFER TO BE USED ON ALL EXPOSED EDGES OF INSPECTION HOLES.

THE CONCRETE SHALL BE STRUCTURAL PORTLAND CEMENT CONCRETE (NON-REINFORCED)

LEGEND

- EXISTING PAVEMENT
- EXISTING RCP
- EXISTING HEADWALL
- PROPOSED PAVEMENT
- PROPOSED 4" PERFORATED UNDERDRAIN W/ SOCK
- PROPOSED RCP
- PROPOSED UNDERDRAIN INSPECTION HOLE
- PROPOSED FLARED END SECTION



DATE	REVISION	BY

CARMI MUNICIPAL AIRPORT
CARMI, ILLINOIS

A.I.P. PROJ.: 3-17-0109-B7

IL PROJ.: CUL-3683

UL Project No. 801-07TXD.0800	SEP 11/15/06
Revision R-131DRN.DWG	CCC 11/15/06
Scale 1" = 30'	CAH 03/27/07
Date 11/15/06	

Hanson Professional Services, Inc.
1525 South Sixth Street
Springfield, Illinois 62703-2866
Offices Nationwide

EXTEND PARTIAL
PARALLEL TAXIWAY
PROPOSED
DRAINAGE PLAN
STA. 16+00 TO STA. 21+50

APR 30, 2007 3:01 PM CCC
I:\AIRPORTS\CARMI\801-07TXD\AIRPORT SHEETS\R-131DRN.DWG - Layout1