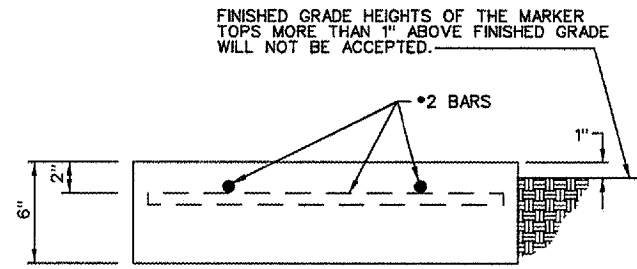
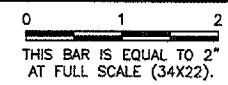
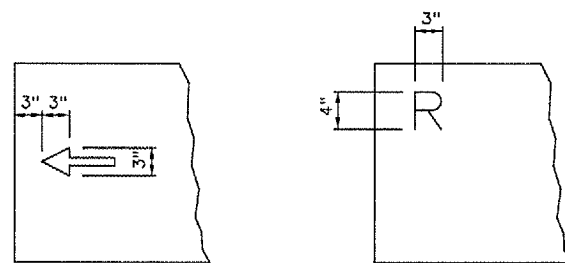


REVISIONS

NUMBER	BY	DATE



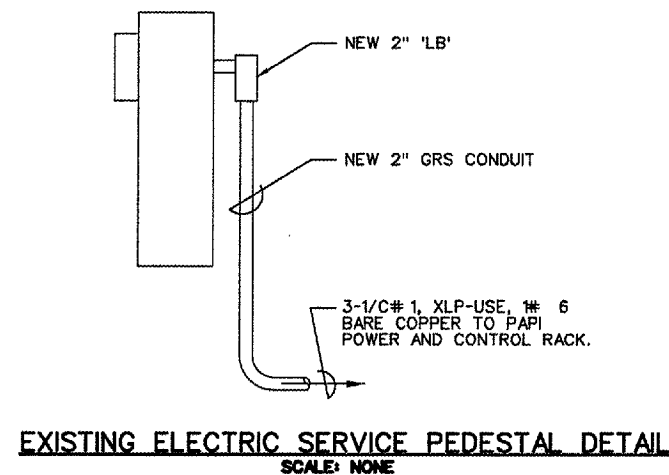
SECTION 'A-A'



DETAIL "A"

DETAIL "B"

CABLE MARKER DETAILS
SCALE: NONE



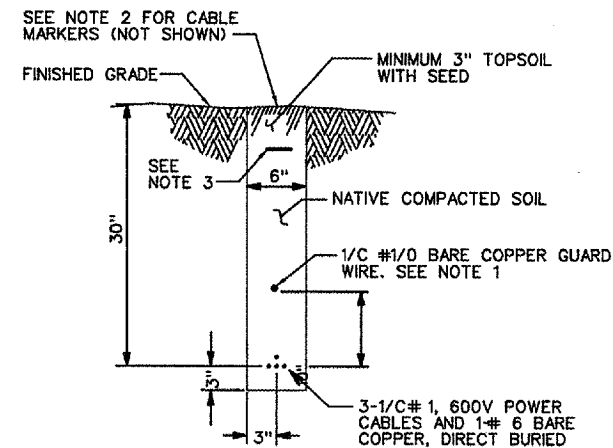
EXISTING ELECTRIC SERVICE PEDESTAL DETAIL
SCALE: NONE

NOTES:

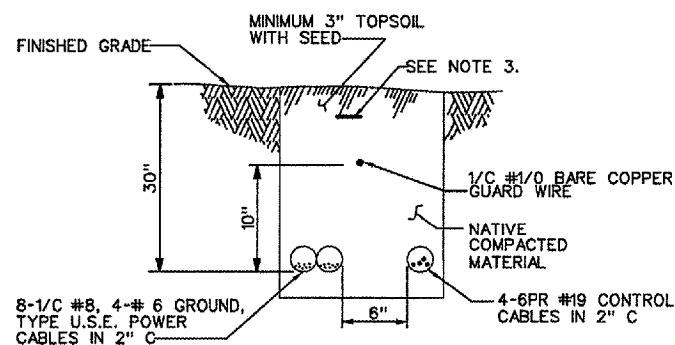
1. CONTRACTOR WAS RESPONSIBLE FOR LOCATING AND PROTECTING UTILITIES. THE CONTRACTOR HAND-DUG THE TRENCH IN THE VICINITY OF UNDERGROUND UTILITIES. ANY DAMAGE DONE TO UTILITIES WAS REPAIRED BY THE CONTRACTOR AT NO EXPENSE TO THE GOVERNMENT.
2. CONTRACTOR INSTALLED CABLE MARKERS FOR BURIED CABLING PER SECT. 16F.3g OF SPEC. FAA-GL-918C AND DWG GL-D-5388G.
3. CONTRACTOR INSTALLED WARNING TAPE "CAUTION-UNDERGROUND CABLE". ALLEN SYSTEMS P.N. 0761315 OR EQUAL, INSTALLED 6" BELOW GRADE.
4. CONTRACTOR REPAIRED ALL DAMAGED SURFACES IN ACCORDANCE WITH FAA-GL-918C-2A.9d.

NOTES:

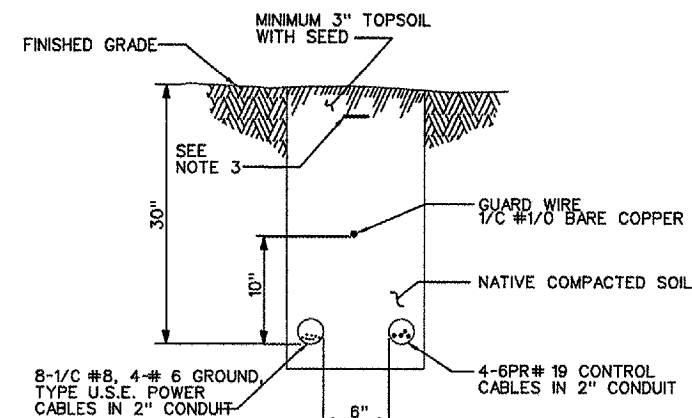
- GROUND RODS NOT SHOWN IN TRENCH DETAILS.
 SEE SITE PLAN FOR TRENCH TYPE LOCATION.



A TRENCH DETAIL
SCALE: NONE
 BETWEEN SERVICE PEDESTAL AND PAPI POWER AND CONTROL RACK



C TRENCH DETAIL
SCALE: NONE
 COMMON TRENCH AT POWER CONTROL RACK
 (SEE SITE PLAN DWG GL-D-2795-7-1)



B SECTION
SCALE: NONE
 TRENCH BETWEEN PAPI POWER AND CONTROL RACK AND ELEC. HANDHOLE
 (SEE SITE PLAN DWG GL-D-2795-7-1)

DUPAGE AIRPORT
 WEST CHICAGO, ILLINOIS
 REMARK RUNWAY 10-28, RUNWAY 28 PAPI
 MISCELLANEOUS DETAILS

© Copyright CMT, Inc.
CMT
 CRAWFORD, MURPHY & TILLY, INC.
 CONSULTING ENGINEERS
 License No. 084-000618

DESIGN BY:	AB
DRAWN BY:	JRO
CHECKED BY:	AB
APPROVED BY:	DLP
DATE:	04/20/07
JOB No:	07257-04

GL-D-2795-7-6