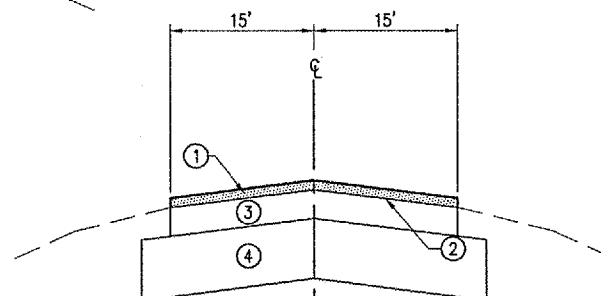


EAST-WEST TAXIWAY TYPICAL SECTION

STA. 209+77 TO STA. 216+00
"NOT TO SCALE"

LEGEND

- ① PROPOSED AR402622: POROUS FRICTION COURSE, 0.10'
- ② PROPOSED AR603510: BITUMINOUS TACK COAT (0.25 GAL/S.Y.)
- ③ PROPOSED AR402622: POROUS FRICTION TAPER
- ④ EXISTING BITUMINOUS PAVEMENT (7 1/2")
- ⑤ EXISTING AGGREGATE BASE (6"-7")

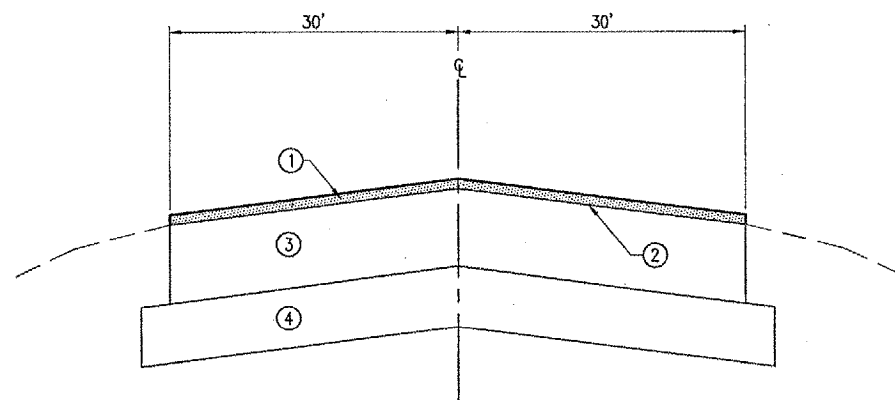


CROSS-OVER TAXIWAY TYPICAL SECTION

"NOT TO SCALE"

LEGEND

- ① PROPOSED AR402622: POROUS FRICTION COURSE, 0.10'
- ② PROPOSED AR603510: BITUMINOUS TACK COAT (0.25 GAL/S.Y.)
- ③ EXISTING BITUMINOUS PAVEMENT (4")
- ④ EXISTING AGGREGATE BASE (11")

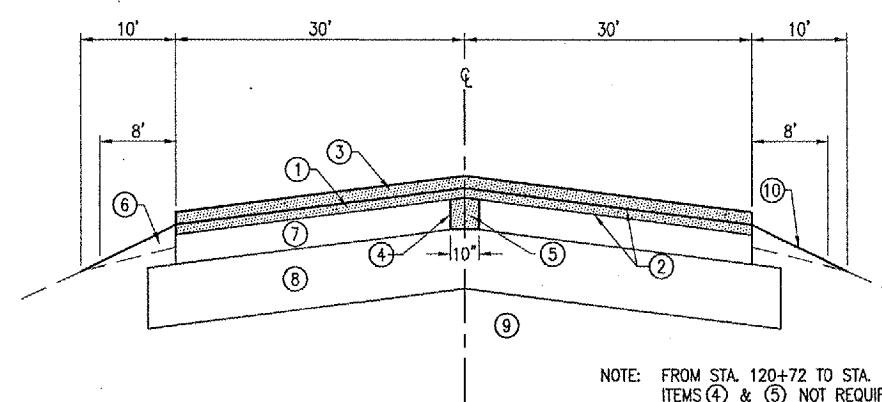


EAST-WEST TAXIWAY TYPICAL SECTION

STA. 216+00 TO STA. 230+00
"NOT TO SCALE"

LEGEND

- ① PROPOSED AR402622: POROUS FRICTION COURSE, 0.10'
- ② PROPOSED AR603510: BITUMINOUS TACK COAT (0.25 GAL/S.Y.)
- ③ EXISTING BITUMINOUS PAVEMENT (8"-9")
- ④ EXISTING AGGREGATE BASE (6"-7")



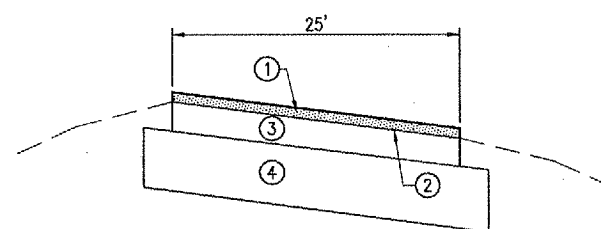
RUNWAY 1-19 TYPICAL SECTION

STA. 100+00 TO STA. 120+72
STA. 123+00 TO STA. 134+00
"NOT TO SCALE"

NOTE: FROM STA. 120+72 TO STA. 123+00,
ITEMS ④ & ⑤ NOT REQUIRED

LEGEND

- ① PROPOSED AR402622: POROUS FRICTION COURSE, 0.10'
- ② PROPOSED AR603510: BITUMINOUS TACK COAT (0.25 GAL/S.Y.)
- ③ PROPOSED AR401610: BITUMINOUS SURFACE COURSE (1 1/2")
- ④ PROPOSED AR603510: BITUMINOUS TACK COAT (0.05 TO 0.10 GAL/S.Y.)
- ⑤ PROPOSED AR401610: BITUMINOUS SURFACE COURSE (± 3")
- ⑥ PROPOSED AR152480: SHOULDER ADJUSTMENT
- ⑦ EXISTING BITUMINOUS PAVEMENT (± 3")
- ⑧ EXISTING BITUMINOUS PAVEMENT (± 8")
- ⑨ EXISTING LIME STABILIZED SUBGRADE
- ⑩ PROPOSED AR156532 EXCELSIOR BLANKET

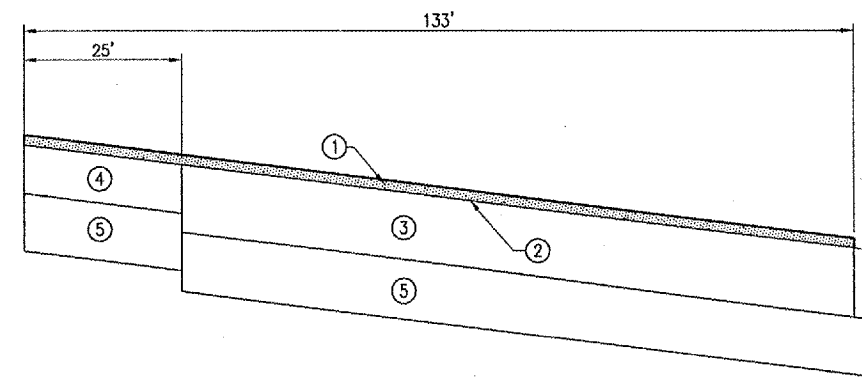


T-HANGAR TYPICAL SECTION

"NOT TO SCALE"

LEGEND

- ① PROPOSED AR402622: POROUS FRICTION COURSE, 0.10'
- ② PROPOSED AR603510: BITUMINOUS TACK COAT (0.25 GAL/S.Y.)
- ③ EXISTING BITUMINOUS PAVEMENT (4")
- ④ EXISTING AGGREGATE BASE (4")



APRON

"NOT TO SCALE"

LEGEND

- ① PROPOSED AR402622: POROUS FRICTION COURSE, 0.10'
- ② PROPOSED AR603510: BITUMINOUS TACK COAT (0.25 GAL/S.Y.)
- ③ EXISTING BITUMINOUS PAVEMENT (7")
- ④ EXISTING BITUMINOUS PAVEMENT (6")
- ④ EXISTING AGGREGATE BASE (6")

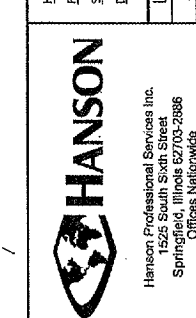
APR 27, 2007 8:23 AM BAK I:\AIRPORTS\EFFINGHAM\804-07RWY\AIRPORT\SHEETS\R-121CON.DWG - TYPICAL SECTIONS

DATE	REVISION	BY

EFFINGHAM COUNTY
MEMORIAL AIRPORT
EFFINGHAM, ILLINOIS

A.I.P. PROJ.: 3-17-0040-B10
ILL. PROJ.: 112-368B

HEI Project No. 80407RWYD 0800	03/01/07
File Name: R-121CON.DWG	KDM
Scale: NOT TO SCALE	KDM
Date: 03/01/07	CAH
LAYOUT	03/01/07
DRAWN	03/01/07
REVIEWED	04/23/07



RECONSTRUCT
RUNWAY 1-19

PROPOSED
TYPICAL
SECTIONS