

DATE	REVISION	BY

EFFINGHAM COUNTY
MEMORIAL AIRPORT
EFFINGHAM, ILLINOIS

IL PROJ: 1H2-3688 A.I.P. PROJ: 3-17-0040-B10

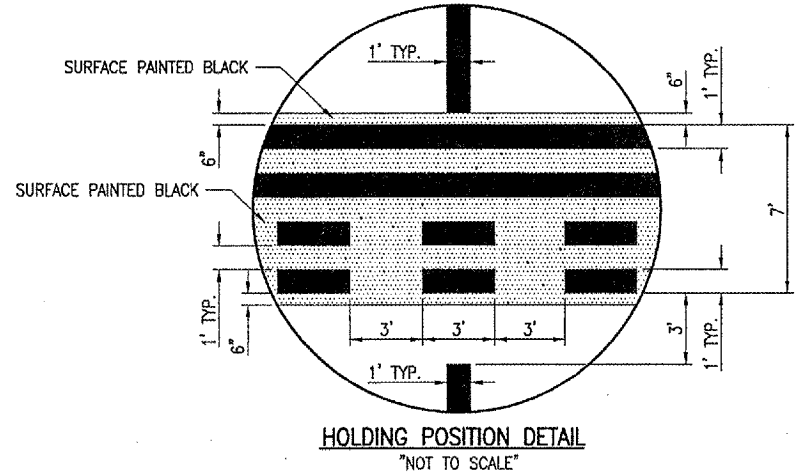
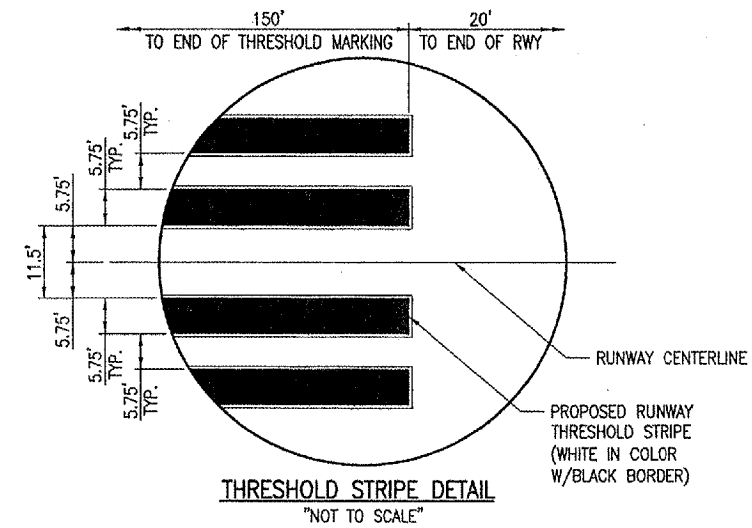
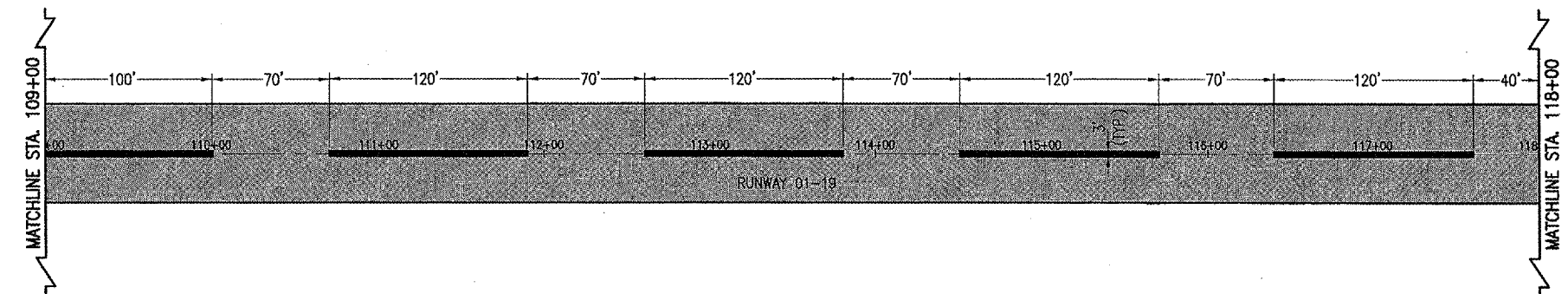
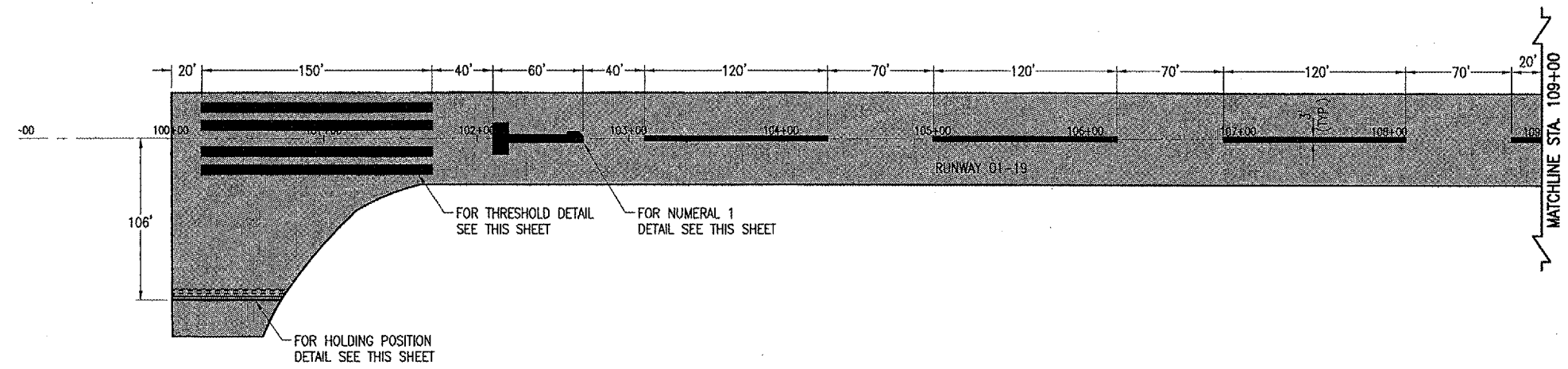
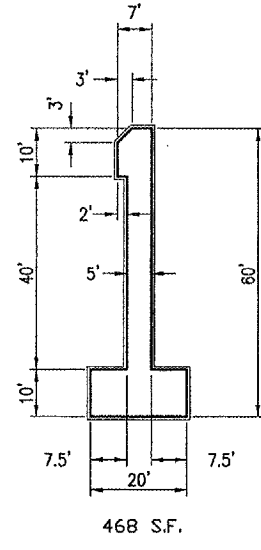
HL Project No.	80407RWYD_0800
File Name	R-151MRK.DWG
Scale	1" = 50'
Date	02/15/07
LAYOUT	KDM 02/15/07
DRAWN	BHK 02/15/07
REVIEWED	CAH 04/23/07



Hanson Professional Services Inc.
1524 South Sixth Street
Springfield, Illinois 62703-2886
Offices Nationwide

RECONSTRUCT
RUNWAY 1-19

PROPOSED MARKING PLAN
FOR RUNWAY 1-19
STA. 99+00 TO STA. 118+00



LEGEND

- EXISTING PAVEMENT
- PROPOSED PAVEMENT
- EXISTING MARKING
- PROPOSED MARKING w/BLACK BORDER

FULL SIZE SCALE: 1" = 50'
HALF SIZE SCALE: 1" = 100'

APR 27, 2007 8:25 AM BAK \\AIRPORTS\EFFINGHAM\804-07RWY\AIRPORT\SHEETS\R-151MRK.DWG - Sta. 99+00 to Sta. 118+00