

REVISION	DATE

QUINCY REGIONAL AIRPORT
BALDWIN FIELD
ADAMS COUNTY, ILLINOIS



HEL Project No.	82407XVD_0100
Element	R-541ELEC.DWG
Scale	N/A
Date	03/19/07
LAYOUT	MLH 03/19/07
DRAWN	MLH 03/19/07
REVIEWED	JDW 03/19/07

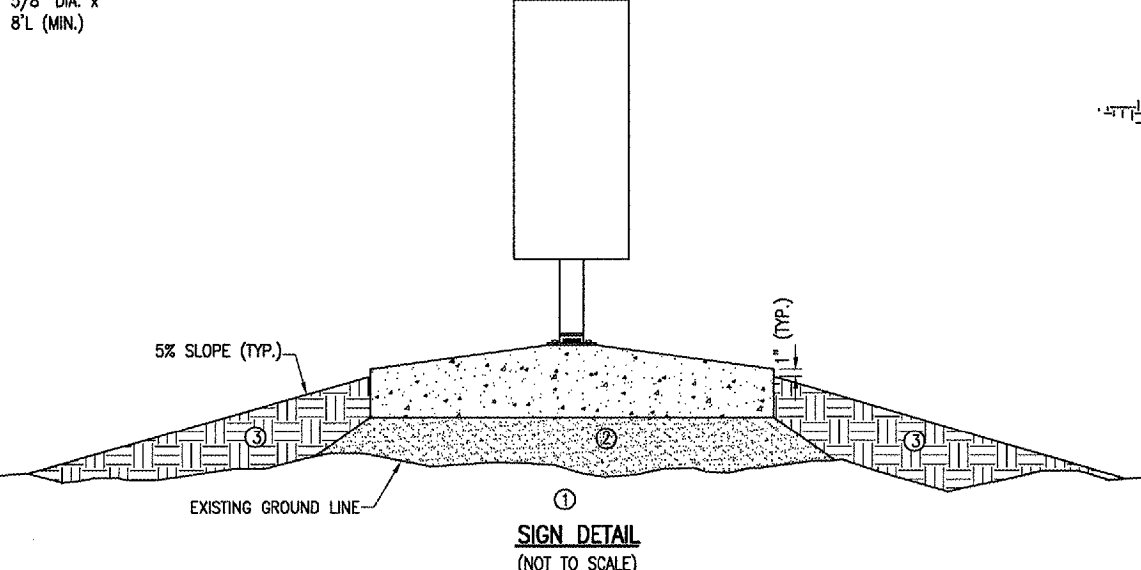
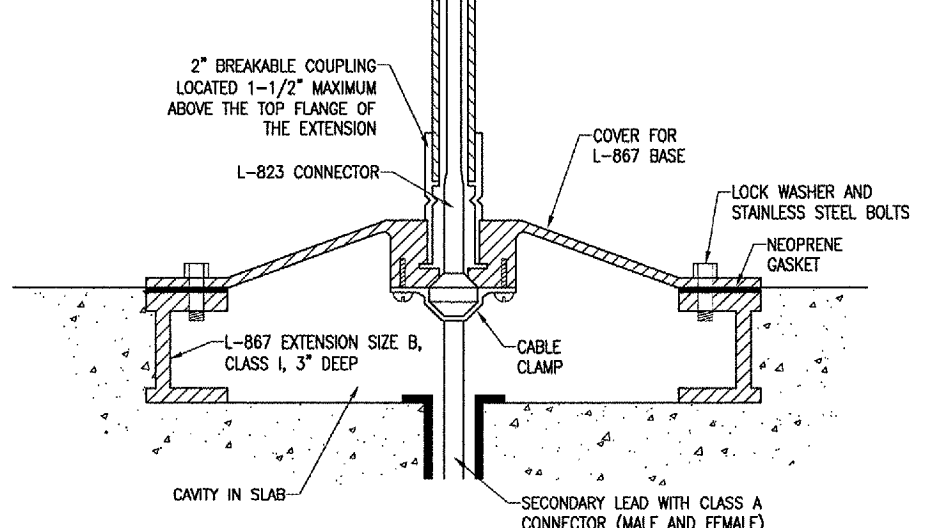
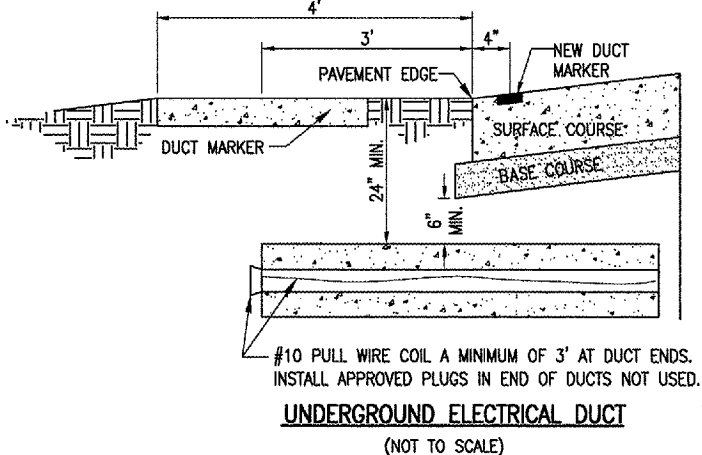
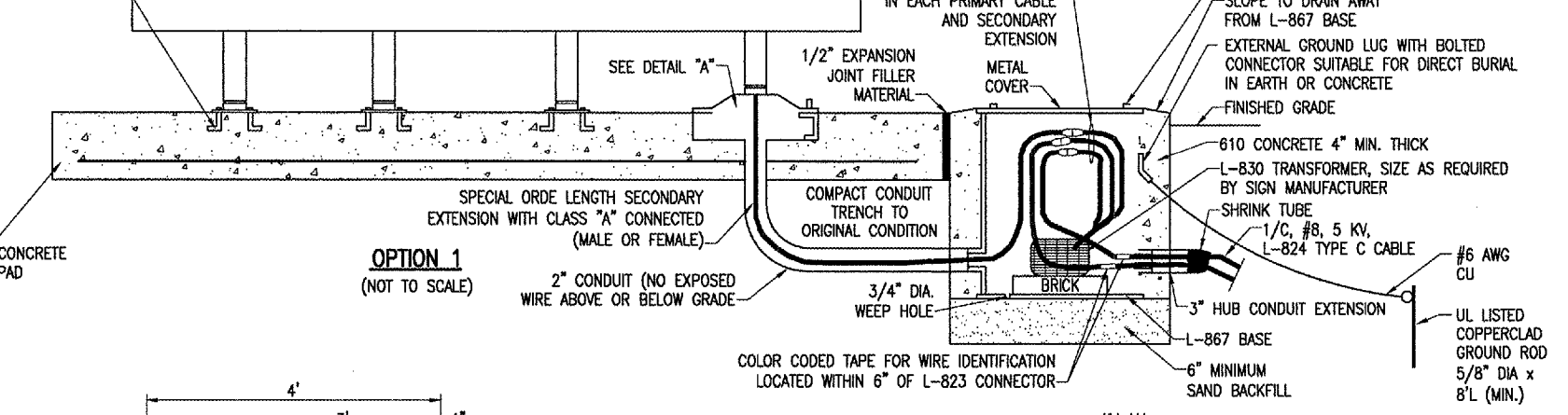
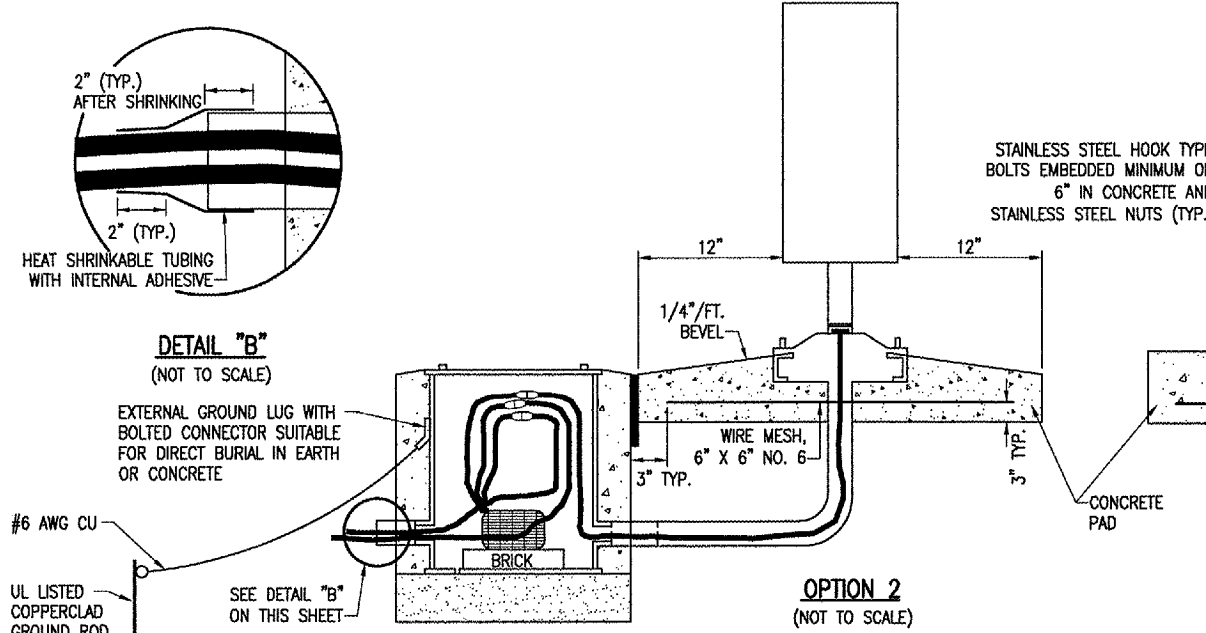


REALIGN, WIDEN
AND REHABILITATE
TAXIWAY "C" - PHASE 2
PROPOSED
ELECTRICAL
DETAILS

L-858 SIGN

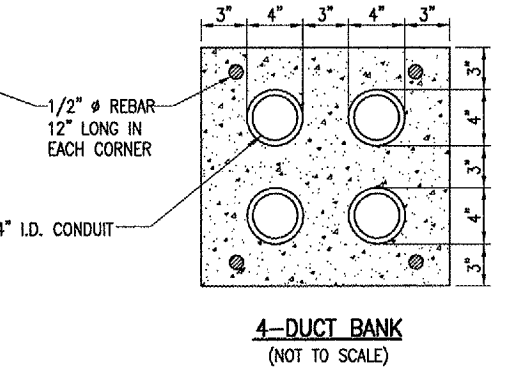
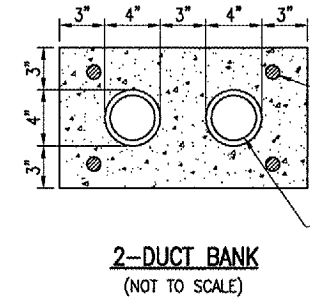
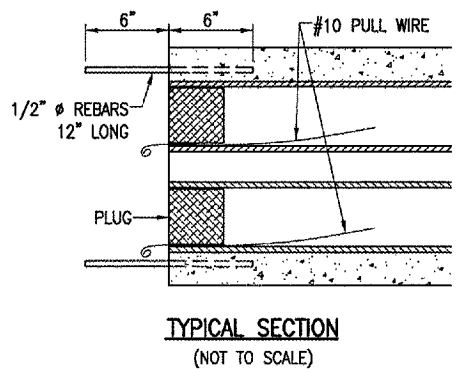
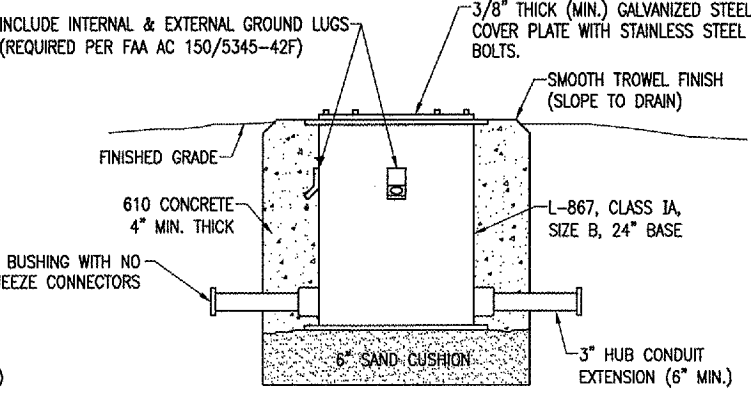
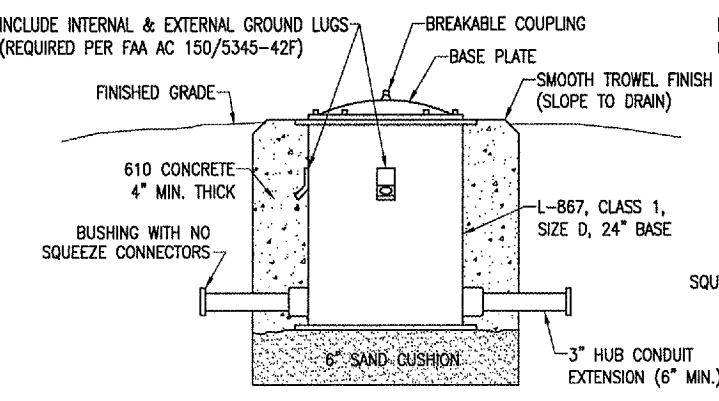
NOTES:
SEE LIGHTING LAYOUT SHEET(S) FOR SIGN LEGEND, LOCATION, TYPE, SIZE, STYLE, AND CLASS.
NUMBER AND SPACING OF LEGS AS PER MANUFACTURER'S REQUIREMENTS.

THE LOCATION OF UNDERGROUND UTILITIES AS INDICATED ON THE PLANS HAS BEEN OBTAINED FROM EXISTING RECORDS. NEITHER THE OWNER NOR THE ENGINEER ASSUMES ANY RESPONSIBILITY WHATSOEVER, IN RESPECT TO THE ACCURACY OR SUFFICIENCY OF THE INFORMATION AND THERE IS NO GUARANTEE, EITHER EXPRESSED OR IMPLIED, THAT THE CONDITIONS ARE REPRESENTATIVE OF THOSE TO BE ENCOUNTERED IN THE CONSTRUCTION.



- ① EXISTING SOD TO BE STRIPPED AND REMOVED
- ② SAND BACKFILL, VARIABLE DEPTH
- ③ PROPOSED TOPSOIL BACKFILL MATERIAL

GENERAL NOTES
SEE LIGHTING LAYOUT SHEET FOR SIGN LEGEND, LOCATION, TYPE, SIZE, AND CLASS.
SEE SHEETS _____ THROUGH _____ FOR ELECTRICAL NOTES.



MAY 09, 2007 2:15 PM MLH
E:\AIRPORTS\QUINCY\B2407XVD\AIRPORT SHEETS\R-541ELEC.DWG - ELEC. DETAILS