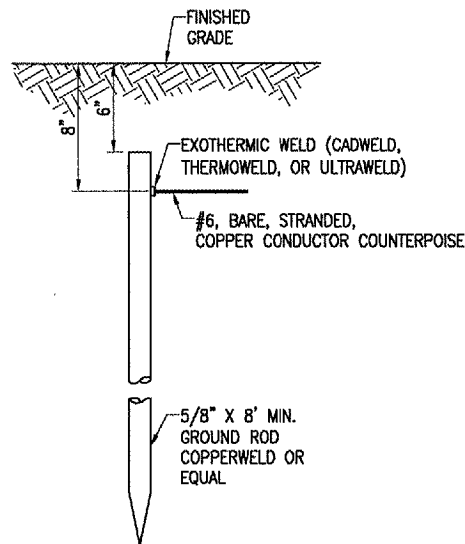
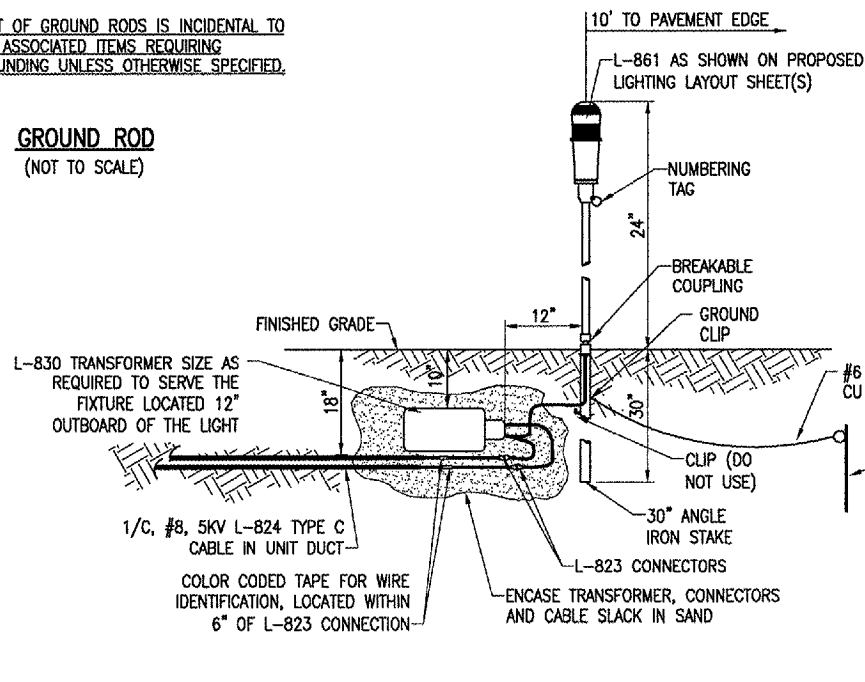


NOTES:
 DETAIL NUMBERS INDICATE NO. OF CABLES.
 TRENCHES WITH MORE THAN SEVEN CABLES SHALL BE INCREASED 3" IN WIDTH FOR EACH ADDITIONAL CABLE; IF SPECIFIED ON PLANS TWO PARALLEL TRENCHES MAY BE CONSTRUCTED.
 DEPTH OF TRENCHES SHALL BE AS SHOWN ABOVE UNLESS OTHERWISE SPECIFIED ON THE PLANS.
 ALL DISTURBED SURFACES SHALL BE RESTORED TO THEIR ORIGINAL CONDITION. COST IS INCIDENTAL TO TRENCH.

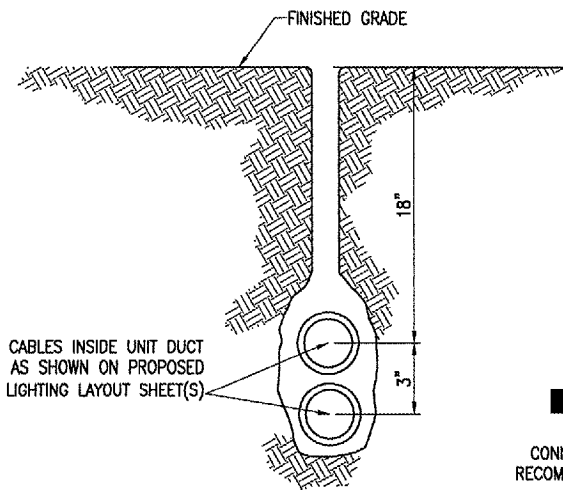


NOTES:
 TYPE AND MINIMUM NUMBER OF GROUND RODS SHALL BE AS SPECIFIED ON THE PLAN.
 THE RESISTANCE TO GROUND OF THE COUNTERPOISE GROUNDING SYSTEM SHALL NOT EXCEED 25 OHMS.
 COST OF GROUND RODS IS INCIDENTAL TO THE ASSOCIATED ITEMS REQUIRING GROUNDING UNLESS OTHERWISE SPECIFIED.

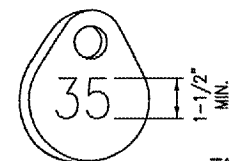
GROUND ROD
(NOT TO SCALE)



MEDIUM INTENSITY LIGHT - STAKE MOUNTED
(NOT TO SCALE)

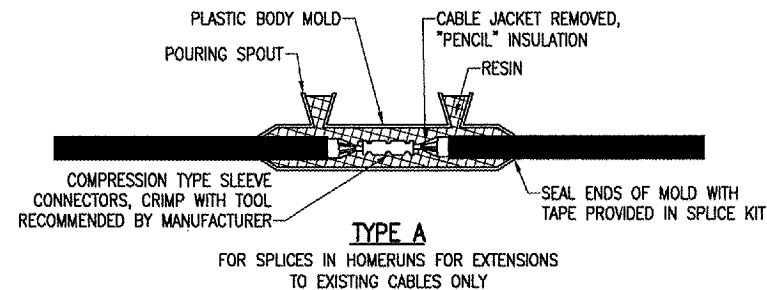


PLOWED CABLE
(NOT TO SCALE)

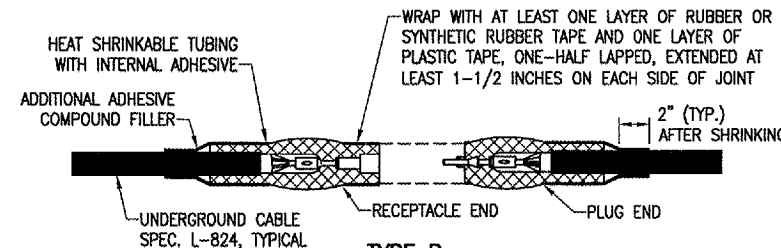


TAG DETAIL
(NOT TO SCALE)

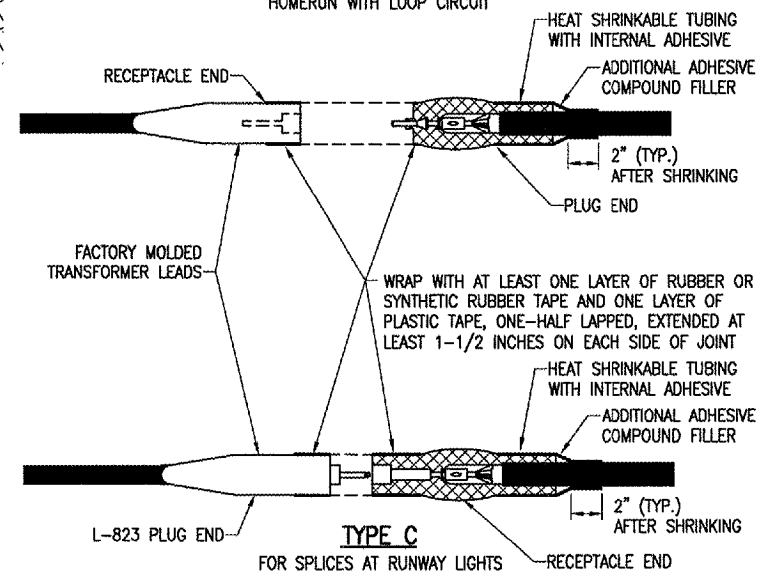
NOTE:
 AFFIX NON-CORROSIVE TAG TO FIXTURE FACING RUNWAY WITH SET SCREW, WIRE TIE, OR METAL BAND. NUMERALS SHALL BE ENGRAVED FOR PERMANENT READABILITY.



TYPE A
FOR SPLICES IN HOMERUNS FOR EXTENSIONS TO EXISTING CABLES ONLY

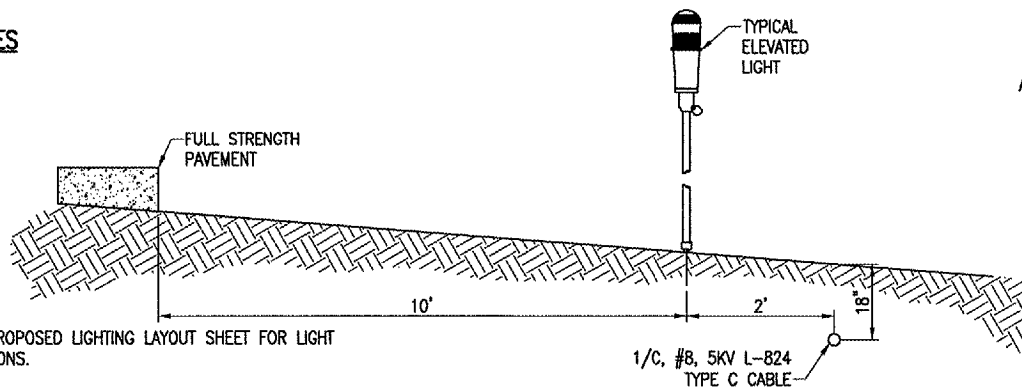


TYPE B
FOR SPLICES AT JUNCTION OF HOMERUN WITH LOOP CIRCUIT



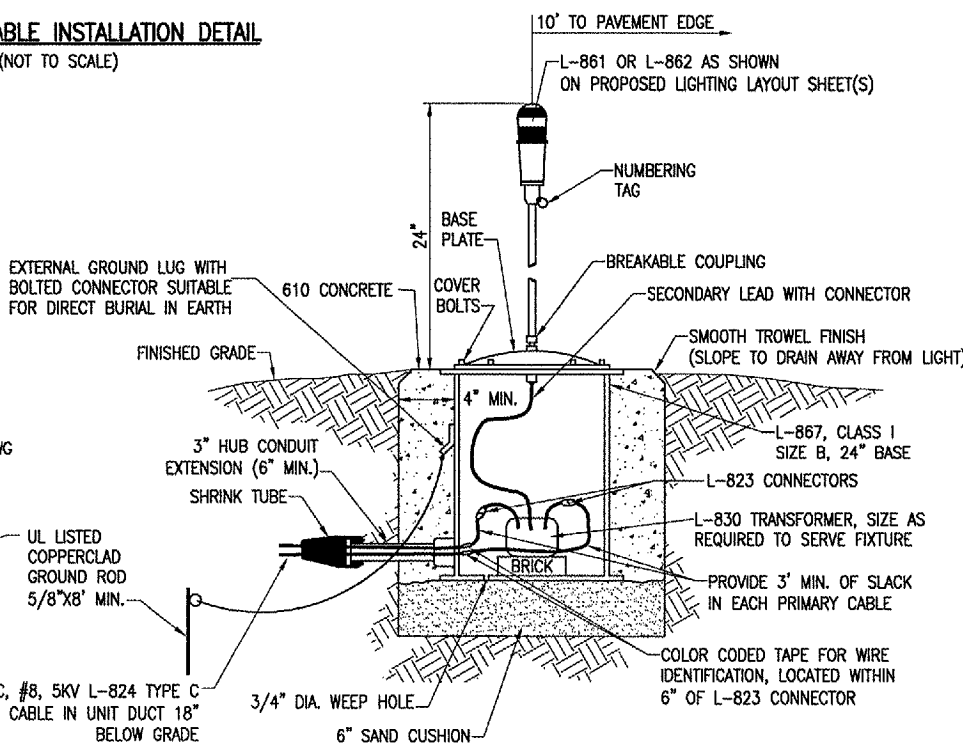
NOTES:
 SEE PROPOSED LIGHTING LAYOUT SHEET(S) FOR SPLICE TYPE.
 INSIDE DIAMETER OF CONNECTOR SHALL PROPERLY MATCH THE OUTSIDE DIAMETER OF CABLE.

CABLE SPLICES
(NOT TO SCALE)



LIGHT AND CABLE INSTALLATION DETAIL
(NOT TO SCALE)

PROFILE VIEW



MEDIUM/HIGH INTENSITY LIGHT - BASE MOUNTED
(NOT TO SCALE)

BY	
REVISION	
DATE	

QUINCY REGIONAL AIRPORT
BALDWIN FIELD
ADAMS COUNTY, ILLINOIS



A.I.P. PROJ.: 3-17-0085-B1

IL PROJ.: UIN-3680

HEL Project No.	82407XVD_0100			
Filename	R-542ELEC.DWG			
Scale	N/A	DATE	MLH	03/19/07
			MLH	03/19/07
			JDW	03/19/07
			REVIEWED	



Hanson Professional Services Inc.
1525 South Sixth Street
Springfield, Illinois 62703-2886
Offices Nationwide

REALIGN, WIDEN
AND REHABILITATE
TAXIWAY "C" - PHASE 2
PROPOSED
ELECTRICAL
DETAILS