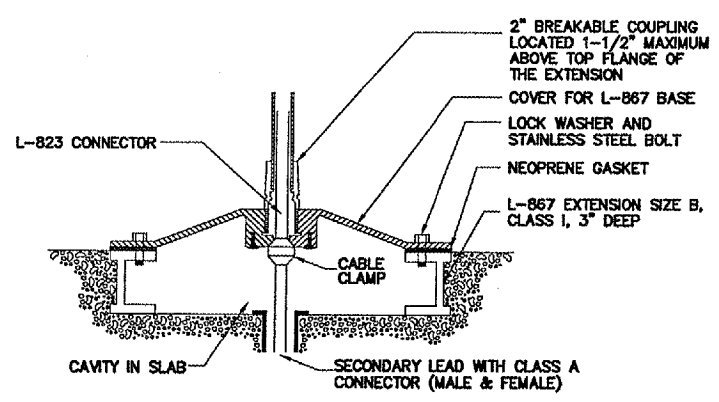


- NOTES:
1. NEW MARKERS ARE REQUIRED ON ALL FAA CABLES. CABLE MARKERS SHALL BE INSTALLED BY THE CONTRACTOR AT ALL LOCATIONS SELECTED BY THE RESIDENT ENGINEER AND / OR THE FAA. THE CONTRACTOR SHALL BE REQUIRED TO ADJUST THE ELEVATION OF EXISTING MARKERS AND / OR REPLACE EXISTING MARKERS DAMAGED DURING CONSTRUCTION.
  2. COST OF CONCRETE MARKERS IS INCIDENTAL TO THE ASSOCIATED ITEMS OF DUCT OR CABLE.
  3. EDGE EXPOSED CONCRETE WITH A 1/4" RADIUS TOOL.
  4. WHERE ADDITIONAL SPACE TO FIT THE LEGEND IS REQUIRED, SOME OF THE FOLLOWING METHODS SHALL BE EMPLOYED.
    - A. REDUCE LETTER SIZE TO 3" HIGH, 2" WIDE.
    - B. INCREASE THE MARKER SIZE TO 30" X 30" MAX.
    - C. PROVIDE ADDITIONAL MARKERS PLACED SIDE BY SIDE.

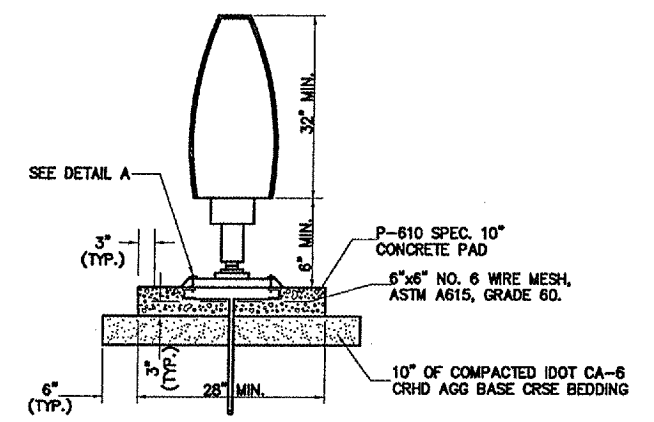
TAXI GUIDANCE SIGNS ISOLATION TRANSFORMER DATA*	
NUMBER OF MODULES	TRANSFORMER WATTAGE
1	100
2	300
3	500
4	500

TRANSFORMERS SHALL BE 6.6/6.6 AMP.  
 \* OR AS REQUIRED BY SIGN MANUFACTURER.

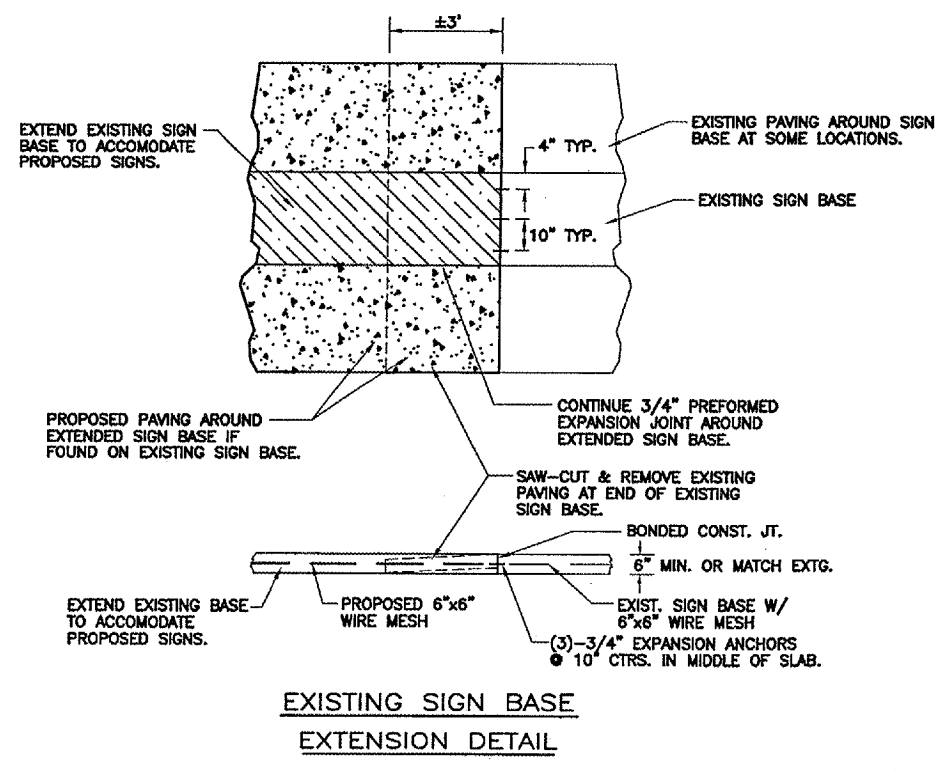
PROPOSED GUIDANCE SIGNS



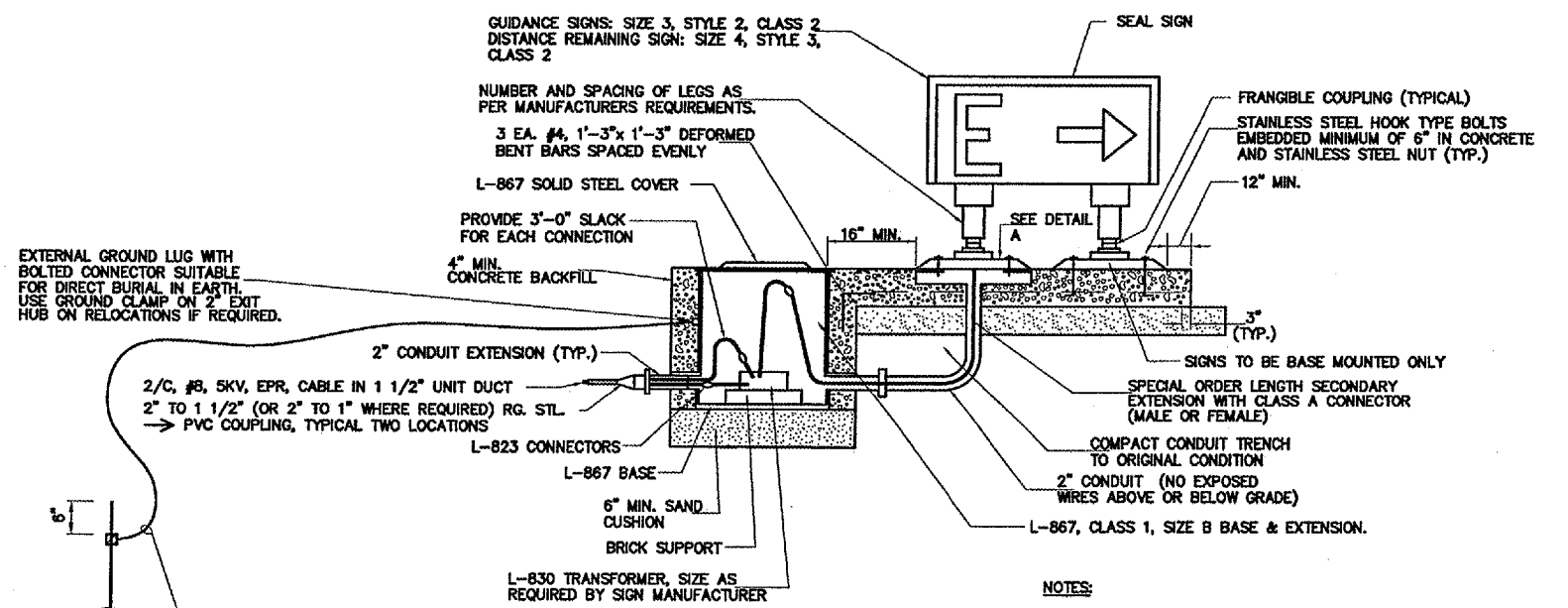
DETAIL A



SIDE VIEW



EXISTING SIGN BASE  
 EXTENSION DETAIL



FRONT VIEW

- NOTES:
1. COLOR CODE TAPE FOR WIRE IDENTIFICATION 6" BEFORE L-823 CONNECTORS.
  2. WHERE PROPOSED SIGNS ARE INSTALLED BESIDE EXISTING SIGNS PROVIDE 1' SPACE BETWEEN SIGNS.
  3. SUPPLY & INSTALL NEW GROUNDING ROD WITH EACH RELOCATION PER THIS DETAIL. INCLUDE GROUNDING ROD & WIRE COSTS IN RELOCATION UNIT PRICE.

3:\airport\A06T025 R5 EXTN, PVM\LIGHTING1.dwg, 5/11/2007 10:45:31 AM, eflm