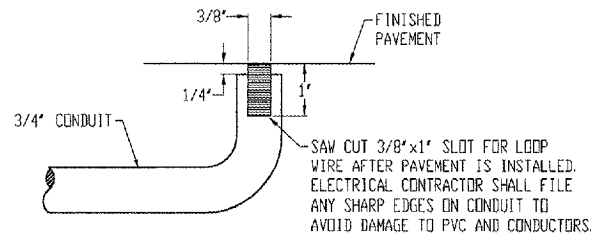


LIGHTING FIXTURE SCHEDULE

TYPE	LAMPS		LUMINAIRE DESCRIPTION	MANUFACTURER	CATALOG #
	#	DESCRIPTION			
A	2	250W HPS	28" L x 17" W x 10" D POLE MOUNTED AREA LUMINAIRE WITH EXTRUDED ALUMINUM HOUSING, TYPE V ALZAK REFLECTOR, AIR FILTER, GASKETED, IMPACT RESISTANT CLEAR TEMPERED GLASS, TWO FIXTURES MOUNTED AT 180 DEGREES, 277V, HIGH POWER FACTOR BALLAST, AND DARK BRONZE FINISH. PROVIDE A 30" LONG 6" STRAIGHT SQUARE ALUMINUM POLE.	KIM	2B / EKG501 / 250HPS277 / DB-P / PSA30-6188/DB-P - *
B	1	250W HPS	28" L x 17" W x 10" D POLE MOUNTED AREA LUMINAIRE WITH EXTRUDED ALUMINUM HOUSING, TYPE V ALZAK REFLECTOR, AIR FILTER, GASKETED, IMPACT RESISTANT CLEAR TEMPERED GLASS, 277V, HIGH POWER FACTOR BALLAST, AND DARK BRONZE FINISH. PROVIDE A 30" LONG 6" STRAIGHT SQUARE ALUMINUM POLE.	KIM	1A / EKG501 / 250HPS277 / DB-P / PSA30-6188/DB-P - *
C	1	150W HPS	LUMINOUS DOME TOP FIXTURE WITH WHITE ACRYLIC DOME, SPIDER MOUNT, TYPE II, SPUN ALUMINUM HOUSING, SINGLE MOUNT ON TOP OF 8" DIAMETER, 12" TALL, ALUMINUM POLE. 277V, HIGH POWER FACTOR BALLAST. FIXTURE AND POLE SHALL HAVE DARK BRONZE FINISH.	McGRAW-EDISON	ZDG-SM-150-HPS-277-2F-BZ-F / RSA-ST12NA ZXXG - *
D	1	50W HPS	15" LONG x 7.5" WIDE x 11" HIGH FLOOD LIGHT LUMINAIRE, DIE-CAST HOUSING AND FRAME, IMPACT-RESISTANT TEMPERED GLASS LENS, TENON BASE MOUNT, DARK BRONZE FINISH, 277V.	LITHONIA	ASF1-50M-HSP-277-AFTM-DDBT

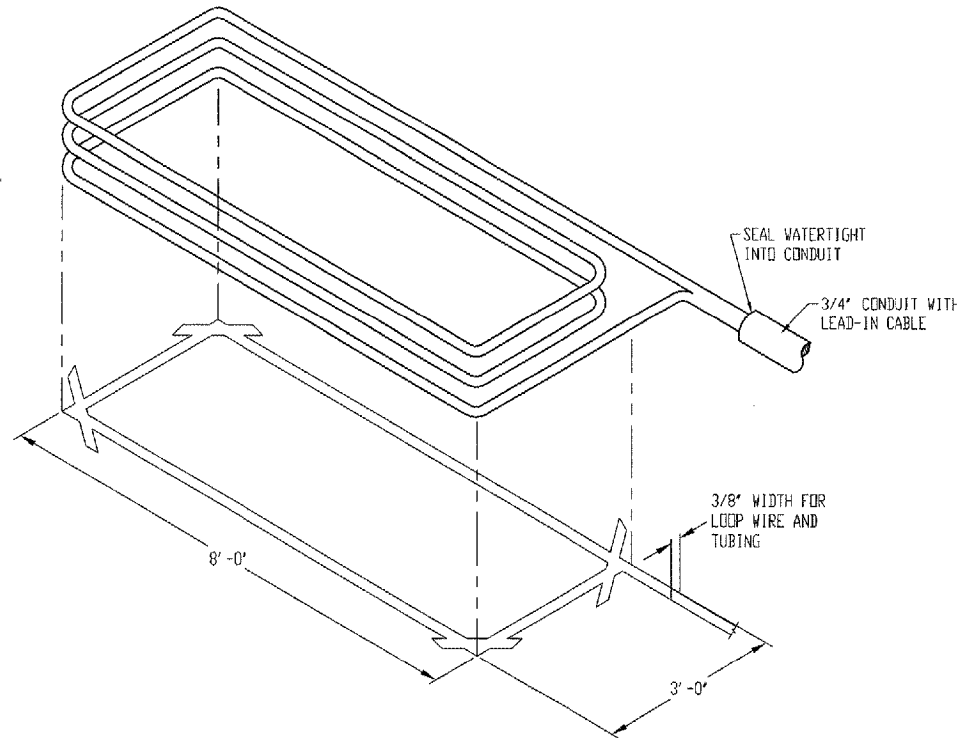
- NOTES:
 1. LAMPS ARE G.E. UNLESS OTHERWISE NOTED.
 2. * PROVIDE BUSSMAN TYPE "KTK" FUSE IN TYPE "HEB" HOLDER NEAR POLE HANDHOLE OF EACH POLE.



NOTE:
 LOOP WIRE MUST BE 5C #18 AWG TWISTED INSIDE PVC TUBING.

LOOP INSTALLATION NOTES:

- CUT A GROOVE 3/8" WIDE BY 1" DEEP IN PATTERN AS SHOWN ABOVE.
- INSTALL 3' x 8" RECTANGULAR LOOP WITH LEAD-IN TUBING AND LEAD-IN CABLE LENGTHS AS REQUIRED TO MEET SECTION 886 OF ILLINOIS DOT SPECIFICATIONS.
- SEAL LEAD-IN WIRE IN CONDUIT TO PREVENT MOISTURE SEEPAGE INTO CONDUIT.
- LOOP WIRES SHALL BE #18 GAUGE TWISTED INSIDE PVC TUBING. LEAD-IN WIRES SHALL BE 2C #16 GAUGE WITH POLYESTER JACKET.
- WHEN LOOP IS TO BE INSTALLED NEAR STEEL REINFORCEMENTS, IT MUST BE KEPT A MINIMUM OF 2' AWAY FROM THE REINFORCEMENT.
- BACK PATCH MATERIAL: POR-ROCK OR EQUIVALENT, CONCRETE COLORED, FAST DRYING CEMENT.
- LOOP WIRES AND CONDUIT CONFINED IN SAW CUT MUST BE KEPT A MINIMUM OF 3/8" BELOW GRADE LEVEL TO ALLOW SUFFICIENT SPACE FOR BACK PATCH FILLER MATERIAL.



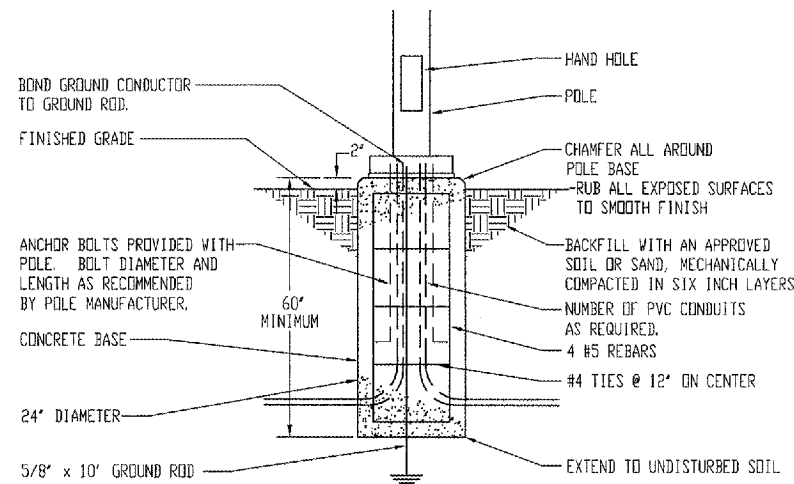
LOOP DETECTION DETAIL

SCALE: NONE

PANEL SCHEDULE

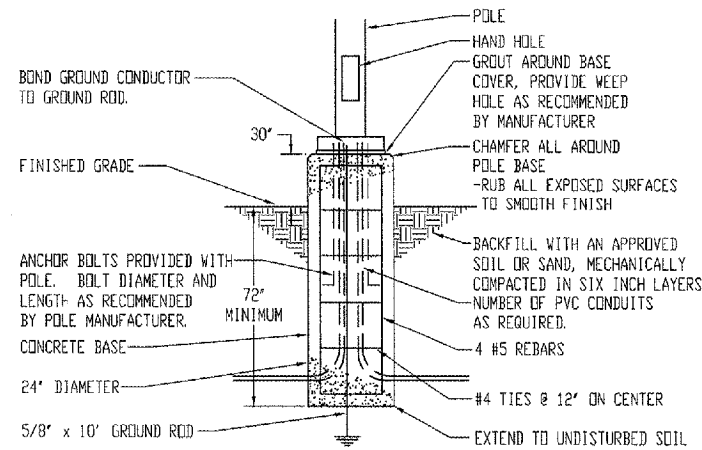
PANEL: AP (EXISTING)		VOLTAGE: 277/480V-3PH-4W			
MOUNTING SURFACE		MAINS: 225A MLO			
CKT. NO.	BKR.	DESCRIPTION	DESCRIPTION	BKR.	CKT. NO.
1	30/3	LTS E. SIDE RD	LTS E. PARKING LOT	30/3	2
3	---	---	---	---	4
5	---	---	---	---	6
7	30/3	LTS W. PARKING LOT	LTS W. SIDE RD	30/3	8
9	---	---	---	---	10
11	---	---	---	---	12
13	*30/3	LTS N. PARKING LOT	SPACE	---	14
15	---	---	SPACE	---	16
17	---	---	SPACE	---	18
19	---	---	SPACE	---	20
21	---	---	SPACE	---	22
23	---	---	SPACE	---	24
25	---	---	SPACE	---	26
27	---	---	SPACE	---	28
29	---	---	SPACE	---	30

- NOTES:
 1. * PROVIDE BREAKER IN AVAILABLE SPACE.



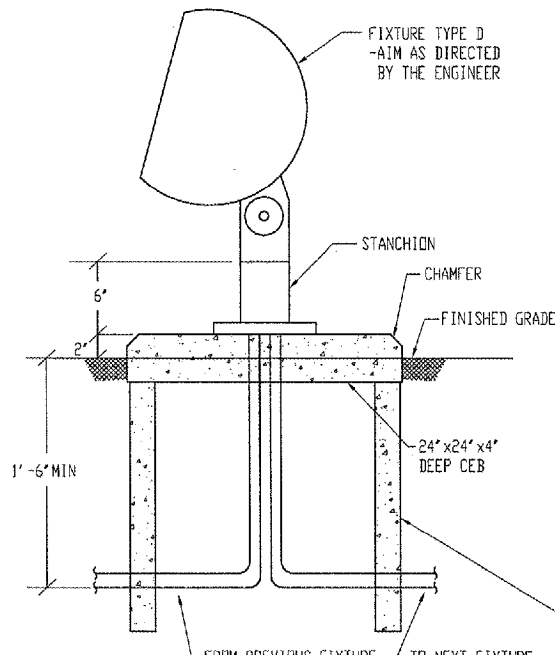
POLE BASE DETAIL A

SCALE: NONE



POLE BASE DETAIL B

SCALE: NONE



FLOOD LIGHT DETAIL

SCALE: NONE

IEFM CONSULTING ENGINEERS

128 EAST 23RD AVENUE, P.O. BOX 130
 COAL VALLEY, ILLINOIS 61240
 PHONE (309) 799-5150
 FAX (309) 799-5190
 IEFM@IEFMCONSULTINGENGINEERS.COM

IL PROJ: MLI-3673 AIP PROJ: 3-17-0068-XX

QUAD CITY INTERNATIONAL AIRPORT
 Moline, IL



REVISIONS		
NO.	ITEM	DATE

PLOTTING SCALE: 1" = 50'
DRAWN BY: CHR
CHECKED BY: DRY
DATE: APRIL 20, 2007

McClure
 Engineering Associates, Inc.
 4120 Kennedy Drive
 East Moline, Illinois 61244
 (309) 792-9350 Fax (309) 792-9574
 Design Firm License: Illinois 184-002816
 Copyright 2007 By McClure Engineering Associates, Inc.

ELECTRICAL DETAILS & SCHEDULES
 ENTRANCE ROAD RELOCATION
 AND PARKING LOT EXPANSION
 MOLINE, ILLINOIS
 FILE NAME: H:\2007\07-111\DWG\07-111-41.dwg
 JOB NUMBER: 01-29-07-001

SHEET NO.
41
 OF 41