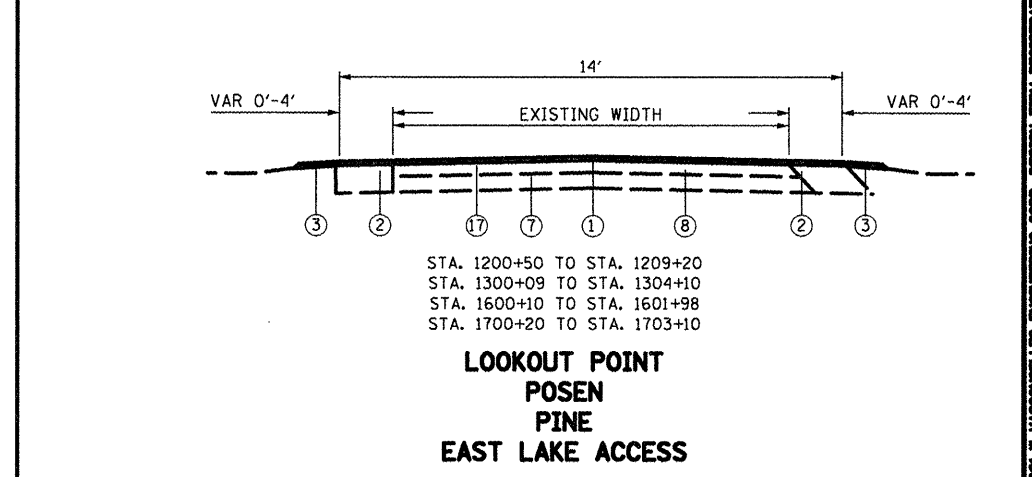
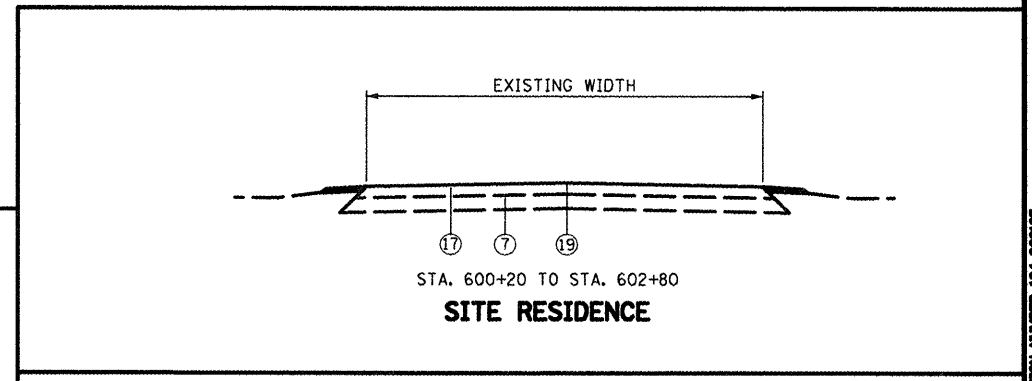
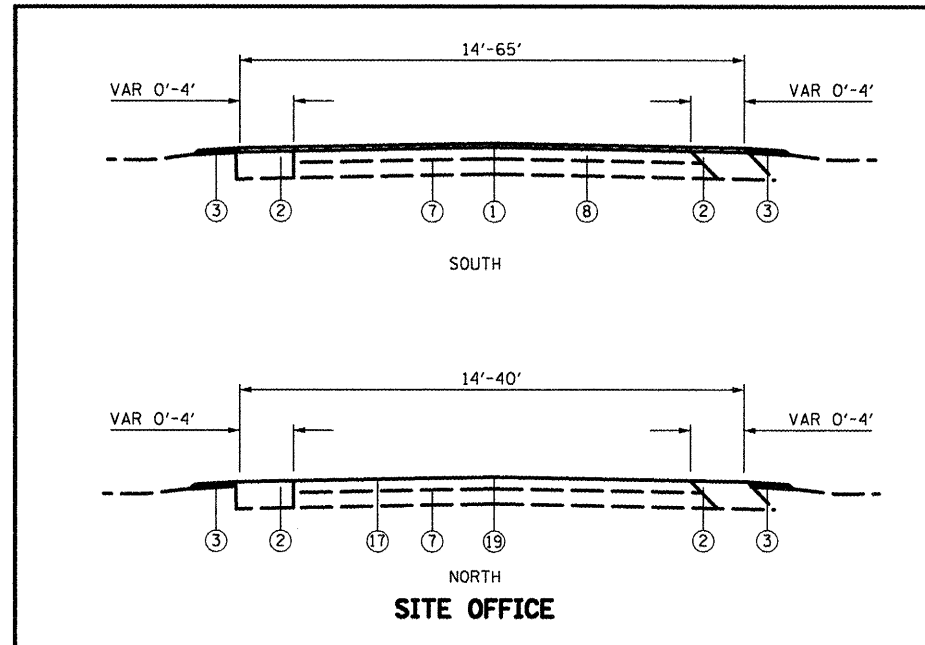
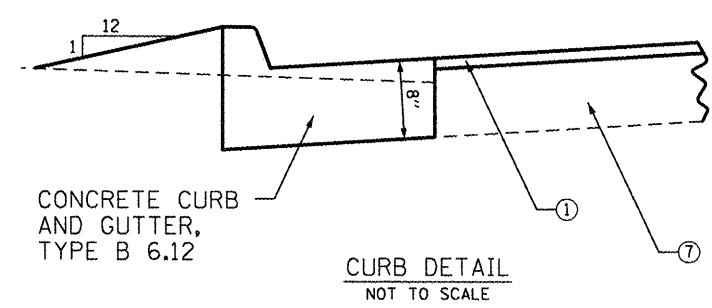
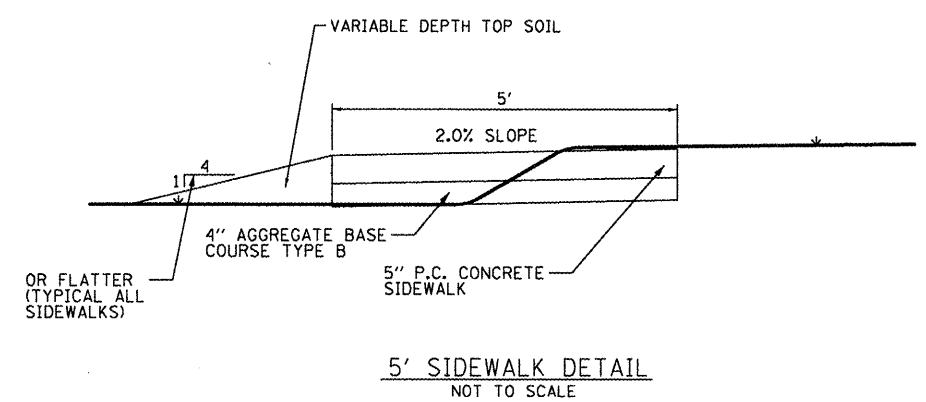


- LEGEND**
- ① PROPOSED HOT-MIX ASPHALT SURFACE COURSE, MIX C, N 70, 2"
 - ② PROPOSED 10" AGGREGATE BASE COURSE
 - ③ PROPOSED EARTH SHOULDERS
 - ④ PROPOSED COMBINATION CONCRETE CURB AND GUTTER, TYPE B 6.12
 - ⑤ PROPOSED LEVELING BINDER HAND METHOD, N 70
 - ⑥ PROPOSED AGGREGATE BASE COURSE TYPE B
 - ⑦ EXISTING AGGREGATE BASE COURSE (UNKNOWN DEPTH)
 - ⑧ EXISTING SURFACE (UNKNOWN DEPTH)
 - ⑨ EXISTING GUTTER REMOVAL
 - ⑩ EXISTING CONCRETE GUTTER
 - ⑪ MILL SURFACE & LEAVE MILLINGS IN PLACE
 - ⑫ PROPOSED CULVERT
 - ⑬ EXISTING PARKING BLOCK
 - ⑭ REMOVE EXISTING ASPHALT IN GUTTER (VARIOUS DEPTH)
 - ⑮ PROPOSED CONCRETE CURB, TYPE B (DOWELLED)
 - ⑯ PROPOSED 4" AGGREGATE BASE COURSE
 - ⑰ SCARIFY EXISTING SURFACE
 - ⑱ REMOVE AND REINSTALL PARKING BLOCK
 - ⑲ A3 SURFACE



FILE NAME =	USER NAME = #USER#	DESIGNED - R.J.L.D.	REVISED -
#FILE#		DRAWN - J.T.T.	REVISED -
	PLOT SCALE = #SCALE#	CHECKED - R.J.L.D.	REVISED -
	PLOT DATE = #DATE#	DATE - 4/4/12	REVISED -

STATE OF ILLINOIS
DEPARTMENT OF TRANSPORTATION

WASHINGTON COUNTY CONSERVATION AREA
TYPICAL SECTIONS

SCALE: VARIES SHEET NO. 5 OF 112 SHEETS STA. TO STA.

F.A. R.T.E.	SECTION	COUNTY	TOTAL SHEETS	SHEET NO.
		WASHINGTON	112	5
			CONTRACT NO.	46223
		FED. ROAD DIST. NO.	ILLINOIS FED. AID PROJECT	

JOB NO. 250-061-7 VASCONCELLES ENGINEERING CORP. DESIGN FIRM REGISTRATION NUMBER 184-002107