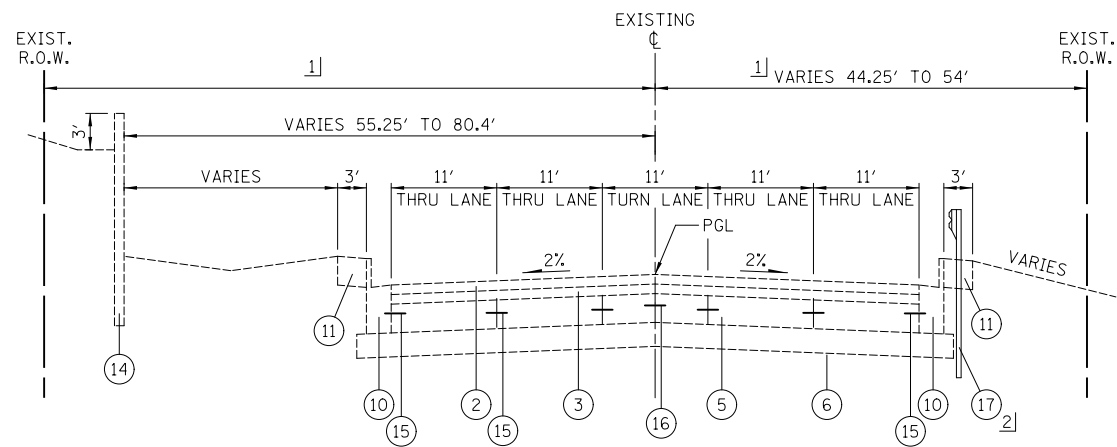
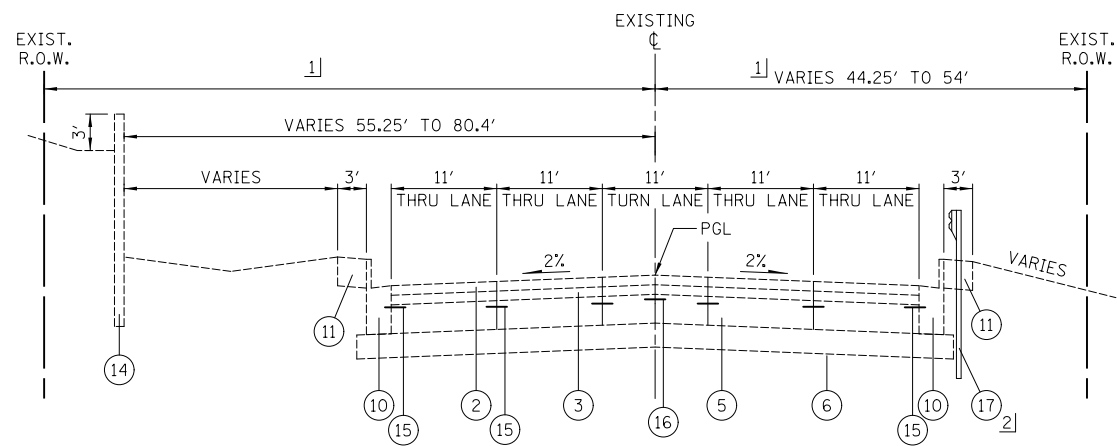


ALGONQUIN ROAD
STA. 50+00 TO STA. 61+63



ALGONQUIN ROAD
STA. 61+63 TO STA. 68+24



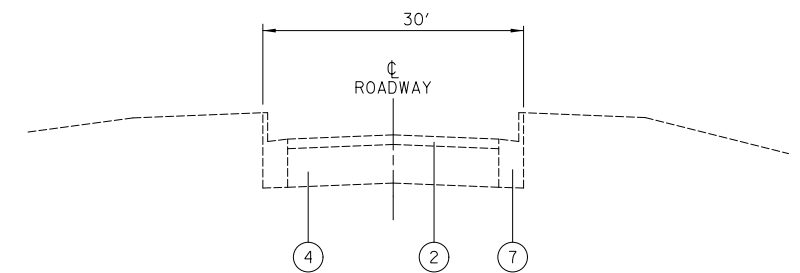
ALGONQUIN ROAD
STA. 68+24 TO STA. 68+45.17

LEGEND

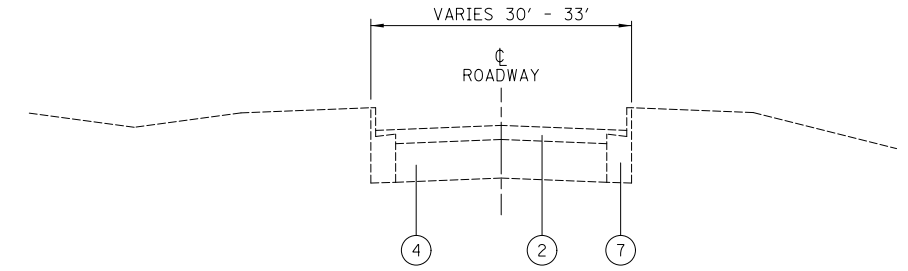
- ① EXISTING P.C. CONCRETE PAVEMENT, 5" AND VARIES
- ② EXISTING HOT-MIX ASPHALT SURFACE COURSE, THICKNESS VARIES .75" TO 4"
- ③ EXISTING HOT-MIX ASPHALT BINDER COURSE, THICKNESS VARIES .75" TO 6.25"
- ④ EXISTING HOT-MIX ASPHALT BASE COURSE, THICKNESS VARIES 5" TO 13.5"
- ⑤ EXISTING P.C. CONCRETE BASE COURSE, VARIES 9" TO 10"
- ⑥ EXISTING SUB-BASE GRANULAR MATERIAL, THICKNESS VARIES 4" TO 16"
- ⑦ EXISTING COMBINATION CURB AND GUTTER, TYPE B-6.12
- ⑧ EXISTING COMBINATION CURB AND GUTTER, TYPE B-6.18
- ⑨ EXISTING COMBINATION CURB AND GUTTER, TYPE B-6.18 SPECIAL
- ⑩ EXISTING COMBINATION CURB AND GUTTER, TYPE B-6.24
- ⑪ EXISTING HOT-MIX ASPHALT SHOULDER
- ⑫ EXISTING AGGREGATE SHOULDER
- ⑬ EXISTING CONCRETE SIDEWALK
- ⑭ EXISTING RETAINING WALL
- ⑮ NO. 6 TIE BAR AT 24" ON CENTER
- ⑯ NO. 8 TIE BAR
- ⑰ EXISTING STEEL PLATE BEAM GUARDRAIL
- ⑱ EXISTING WOOD BOLLARD

SHEET NOTES

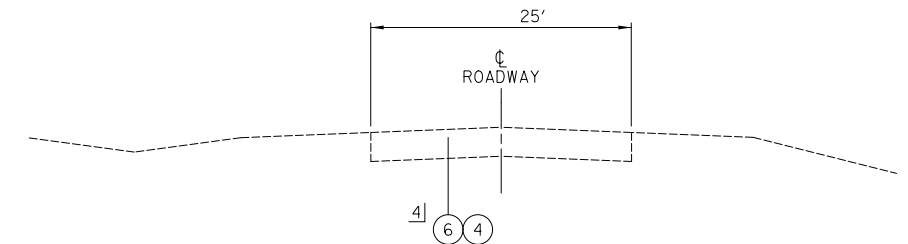
- STATIONING FROM EXISTING ALIGNMENTS
- 1] SEE SHEETS 410 - 457 FOR RIGHT OF WAY DIMENSIONS.
- 2] FROM STA. 61+27 TO STA. 68+45.17
- 3] MEASURED ALONG CENTER OF ROADWAY LEFT EDGE OF PAVEMENT OF IL RT 31 = STA 0+00
- 4] MATERIAL TRANSITIONS FROM BIT BASE COURSE TO AGGREGATE MATERIAL AT STATION 10+83



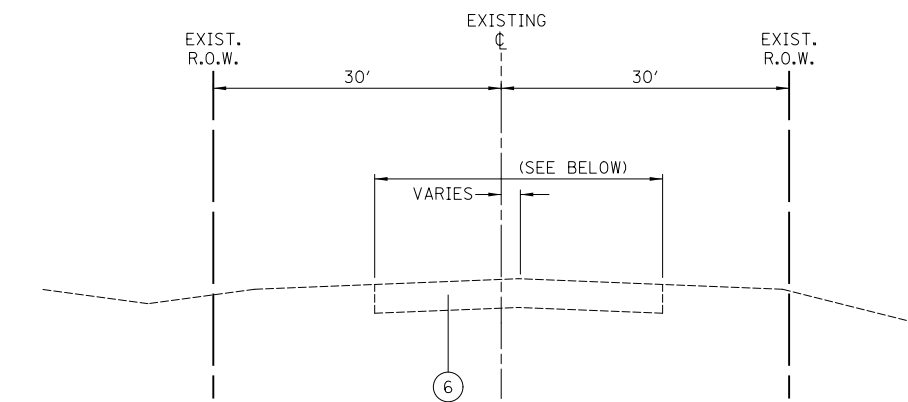
QUARRY ACCESS
STA. 0+00 TO STA. 2+83
3]



QUARRY ACCESS
STA. 2+83 TO STA. 6+34
3]



QUARRY ACCESS
STA. 6+34 TO STA. 12+37
3]



GREENWOOD COURT
(PAVEMENT WIDTH = 17')

ELMWOOD COURT
(PAVEMENT WIDTH = 40' & VARIES)

OAKWOOD COURT
(PAVEMENT WIDTH = 20')

LINDEN AVENUE
(PAVEMENT WIDTH = 17')

FILE NAME = ...\\D160F72-sht-typical-03.dgn	USER NAME = ctb	DESIGNED - PML	REVISED -
		DRAWN - PML	REVISED -
	PLOT SCALE = 2.0000' / in.	CHECKED - GAB	REVISED -
	PLOT DATE = 5/2/2012	DATE - 5/3/2012	REVISED -

STATE OF ILLINOIS
DEPARTMENT OF TRANSPORTATION

EXISTING TYPICAL SECTIONS

SCALE: N.T.S. SHEET NO. 3 OF 15 SHEETS STA. TO STA.

O.R. RTE.	SECTION	COUNTY	TOTAL SHEETS	SHEET NO.
0003	18A-2	MCHENRY	825	26
CONTRACT NO. 60F72				
FED. ROAD DIST. NO. 1 ILLINOIS FED. AID PROJECT				