
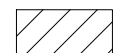
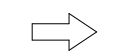

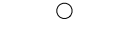




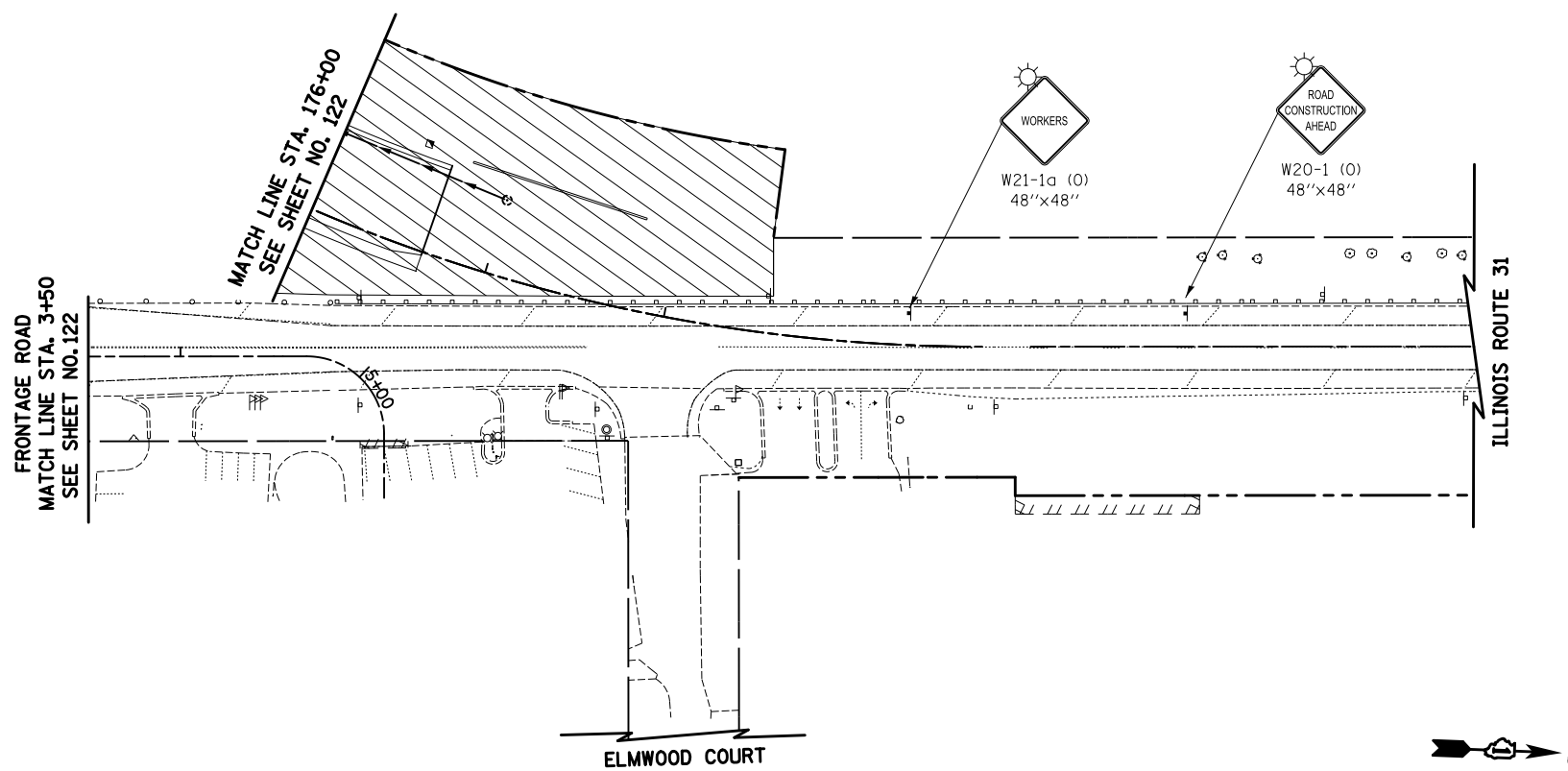
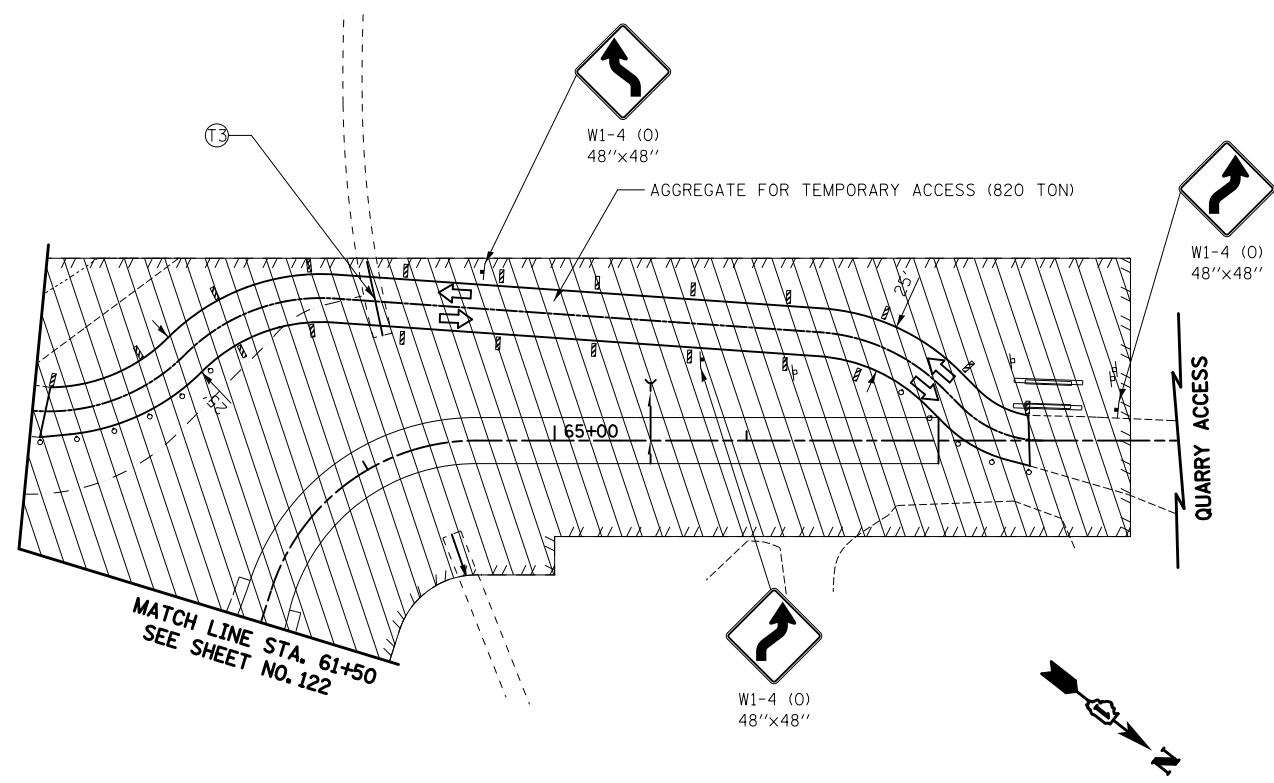


LEGEND

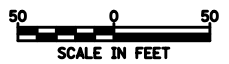
-  TEMPORARY PAVEMENT
-  CONSTRUCTION WORK ZONE
-  DIRECTION OF TRAFFIC FLOW
-  ARROW BOARD
-  CONE, DRUM, OR TYPE I OR II BARRICADE
-  TYPE I OR II BARRICADE WITH FLASHING LIGHTS
-  VERTICAL PANEL
-  TYPE III BARRICADE WITH FLASHING LIGHTS
-  STEADY BURN MONO-DIRECTIONAL LIGHT

TEMPORARY DRAINAGE NOTES

⑬ 39'-PIPE CULVERTS, CLASS C, TY. 1 3/4" (TEMPORARY) @ 0.37%
TBF = 0.0 CU YD



ILLINOIS ROUTE 31
QUARRY ACCESS
FRONTAGE ROAD
GREENWOOD COURT



FILE NAME = ... \08-MOT\160F72-sht-MOT-21.dgn	USER NAME = ctb	DESIGNED - KWH	REVISED -
		DRAWN - AKW	REVISED -
	PLOT SCALE = 100.0000' / 1in.	CHECKED - GAB	REVISED -
	PLOT DATE = 5/2/2012	DATE - 5/3/2012	REVISED -

STATE OF ILLINOIS
DEPARTMENT OF TRANSPORTATION

MAINTENANCE OF TRAFFIC - STAGE 2A
SCALE: 1" = 50'
SHEET NO. 21 OF 47 SHEETS
STA. 166+00 TO STA. 175+50

O.R. RTE.	SECTION	COUNTY	TOTAL SHEETS	SHEET NO.
0003	18A-2	MCHENRY	825	123
CONTRACT NO. 60F72				
FED. ROAD DIST. NO. 1 ILLINOIS FED. AID PROJECT				