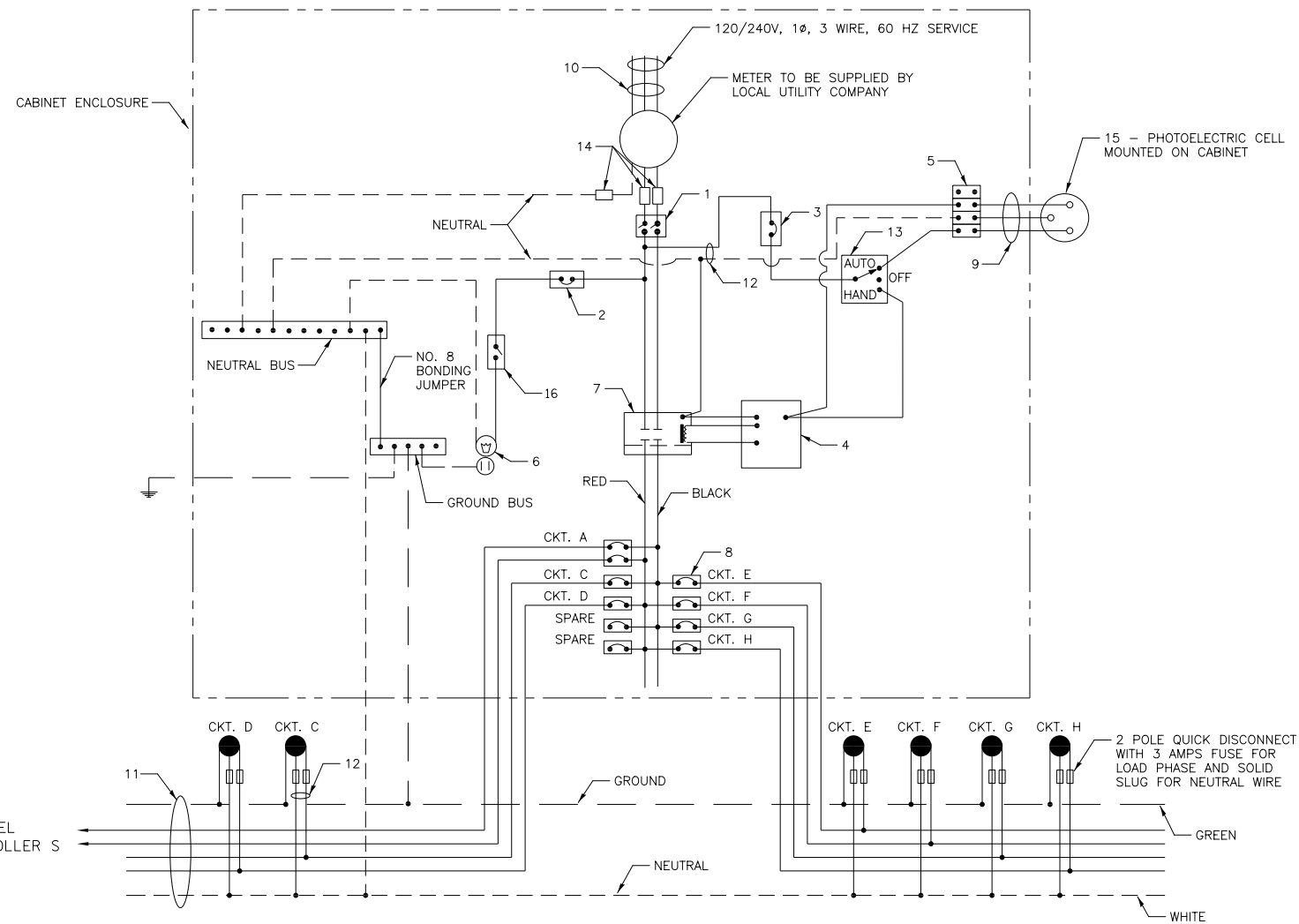


**LIGHTING CONTROLLER 2
BASE MOUNTED, 240 VOLT, 100 AMP**

NOTES:

1. ALL DIMENSIONS ARE IN INCHES UNLESS OTHERWISE SHOWN.
2. FOUNDATION SIZE SHALL BE COORDINATED WITH CABINET SIZE AND MFR.
3. IN FRONT OF CONTROL CABINET DOOR, REMOVE VEGETATION AND 2" TOP SOIL, LEVEL THE AREA AND ON TOP, PLACE LENGTH WISE PARALLEL TO CONTROL CABINET, A CONCRETE PAD.
4. DOOR SHALL BE CONSTRUCTED FROM SAME TYPE OF MATERIAL AND THICKNESS AS CABINET.
5. DOOR SHALL BE EQUIPPED WITH THREE POINT LATCHING MECHANISM WITH NYLON ROLLERS AT TOP THE BOTTOM.
6. DOOR HINGE SHALL BE A HEAVY GAUGE CONTINUOUS HINGE WITH A 1/4" DIA. STAINLESS STEEL HINGE PIN.
7. ALL EXTERNAL HARDWARE SHALL BE STAINLESS STEEL.
8. CONTROL WIRING TO BE #12 AWG, 600V, TYPE "SIS" GRAY SWITCH BOARD WIRE, STRANDED COPPER.
9. METER BOX SHALL BE MOUNTED ON THE SIDE OF CONTROL CABINET, NEAR TO THE SERVICE POLE.
10. CABINET SHALL BE PRIMED AND PAINTED BLACK. COLOR SHALL BE APPROVED BY THE VILLAGE BEFORE ORDERING.
11. THE HEADS OF CONNECTORS SCREWS SHALL BE PAINTED WHITE FOR NEUTRAL BAR CONNECTION AND GREEN FOR GROUND BAR CONNECTORS.
12. ALL WIRING WITHIN THE CABINET SHALL BE COLOR CODED AS INDICATED.
R = RED BL = BLUE W = WHITE
B = BLACK Y = YELLOW G = GREEN
13. PROVIDE SEALING GROMMETS FOR ALL OPEN WIRING EXTENDED FROM DEVICE IN BOXES OR CABINETS WITHIN THE CONTROL CABINET.
14. ALL WIRING SHALL BE NEATLY DRESSED AND SUPPORTED.
15. THE CONTROLLER SHALL BE CONSTRUCTED TO U.L. STD. 508 AND BEAR THE U.L. LABEL "ENCLOSED INDUSTRIAL CONTROL PANEL".
16. 12" X 16" STAINLESS STEEL EXTERIOR NAMEPLATE SHALL BE ENGRAVED TO "VILLAGE OF ALGONQUIN LIGHTING CONTROLS" UNLESS OTHERWISE SPECIFIED.

TO SUBPANEL LIGHTING CONTROLLER S



LIGHTING CONTROLLER 2 COMPONENT SCHEDULE	
ITEM	SPECIFICATION OR EQUAL
① MAIN CIRCUIT BREAKER	100 AMPERE, 2 POLE, 240 VOLT RATING INTERRUPTING CAPACITY NOT LESS THAN 25,000 RMS SYMMETRICAL AMPS AT 600V
② LAMPHOLDER CIRCUIT BREAKER	15 AMPERE, 1 POLE, 120 VOLT RATING INTERRUPTING CAPACITY NOT LESS THAN 14,000 RMS SYMMETRICAL AMPS AT 277V
③ PHOTOELECTRIC CELL CONTROL CIRCUIT BREAKER	15 AMPERE, 1 POLE, 120 VOLT RATING INTERRUPTING CAPACITY NOT LESS THAN 14,000 RMS SYMMETRICAL AMPS AT 277V
④ AUXILIARY RELAY	120 VOLT SPST 60 HZ COIL
⑤ FOUR POINT TERMINAL BLOCK	600 VOLT
⑥ LAMPHOLDER AND OUTLET	120 VOLT SWITCHED LAMPHOLDER AND 15 AMP GFI DUPLEX RECEPTACLE
⑦ REMOTE CONTROL SWITCH - CONTACTOR	100 AMPERE, 2 POLE, 240 VOLT RATING, 120V COIL. ELECTRICALLY OPERATED, MECHANICALLY HELD
⑧ BRANCH LINE CIRCUIT BREAKERS	CKT. A = 60 AMP, 2 POLE, 240 VOLT RATING CKTS. C-H AND 2 SPARES = 20 AMP, 1 POLE, 120 VOLT RATING INTERRUPTING CAPACITY NOT LESS THAN 10,000 RMS SYMMETRICAL AMPS AT 277V
⑨ PHOTOELECTRIC CELL CONTROL WIRE	3-600V XLP NO. 10
⑩ SERVICE CABLES	3-600V (XLP-TYPE USE) NO. 2
⑪ BRANCH LINE CABLES	SEE PLANS FOR SIZE
⑫ LIGHTING POLE WIRE	2-600V XLP NO. 10 CABLES WITH POLE GROUND AND FUSING
⑬ HAND-AUTO-OFF CONTROL SWITCH	10 AMPERE, 3 POLE, 120 VOLT
⑭ LIGHTING ARRESTOR	BRACKET MOUNTED SURGE ARRESTOR FOR 120/240V 3W SERVICE
⑮ PHOTOELECTRIC CELL	120 SECONDS OFF TIME DELAY, 120V
⑯ MICRO SWITCH	MOUNT WITH ACTUATOR TO SWITCH WHEN DOOR IS OPEN

LIGHTING CONTROLLER 2 WIRING DIAGRAM