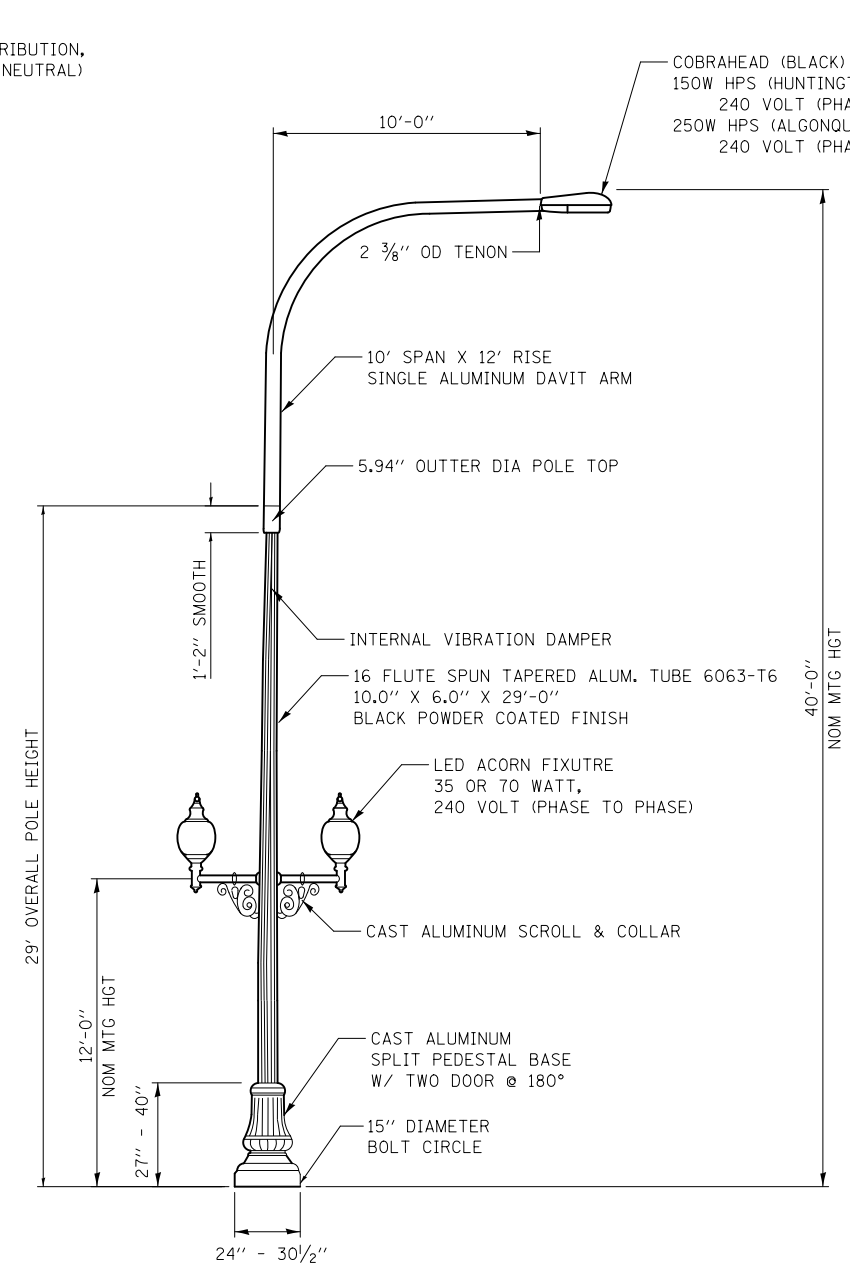


**LIGHTING UNIT TYPE 1  
(IDOT)**

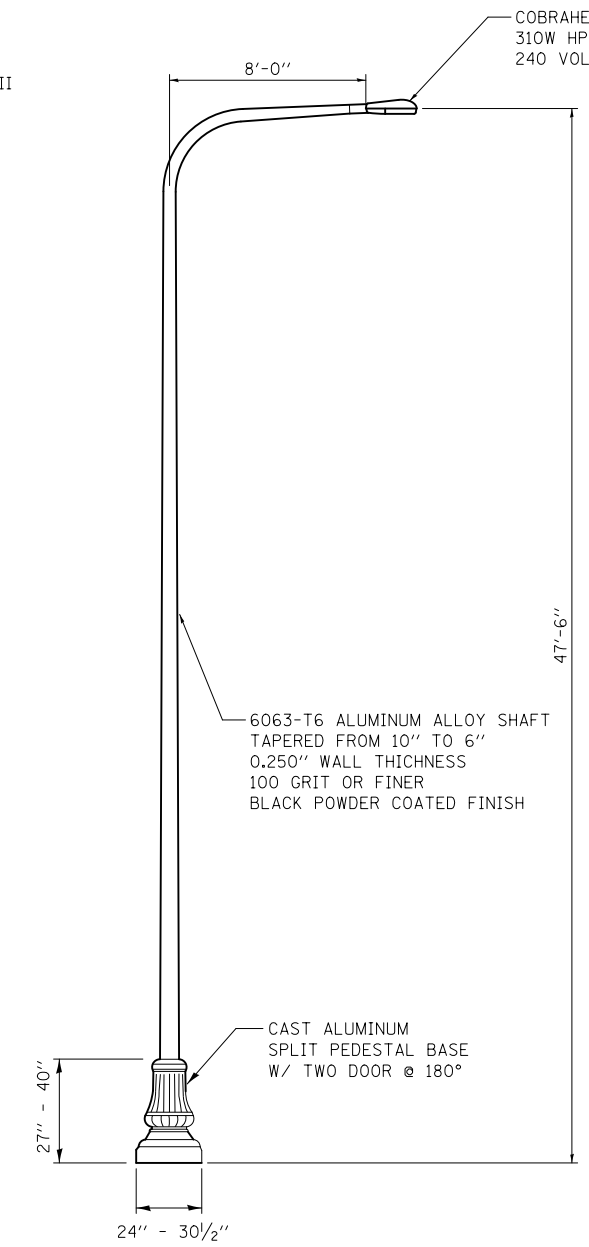
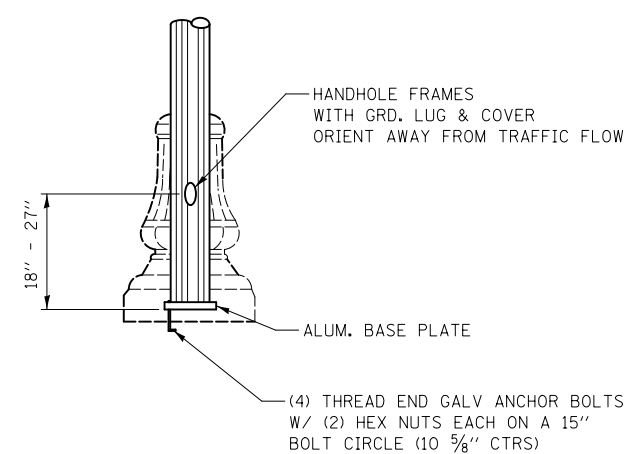
DETAILS FOR IDOT LIGHTING UNIT TYPE 1, DAVIT LIGHT POLE 47.5 FT. MOUNTING HEIGHT, SHALL FOLLOW IDOT DISTRICT 1 BUREAU OF ELECTRICAL BE-410 STANDARD DETAIL.

**NOTES:**

- ALL LIGHT POLES SHALL BE CLASSIFIED BY UL OR ETL OR APPROVED O.S.H.A. EQUIVALENT TESTING LABORATORY.
- IDOT'S LIGHT POLE/UNIT IDENTIFICATION SHALL BE INSTALLED FOLLOWING IDOT'S STANDARDS. THE VILLAGE OF ALGONQUIN'S LIGHT POLE/UNIT IDENTIFICATION WILL BE INSTALLED BY THE VILLAGE UPON COMPLETION OF THE PROJECT.
- LUMINAIRE SAFETY CABLE ASSEMBLY ARE INSTALLED ON IDOT'S LUMINAIRES PER IDOT BE-701 DETAIL. THE SAFETY CABLES ON LIGHTING UNIT TYPE 3 SHALL BE BLACK.

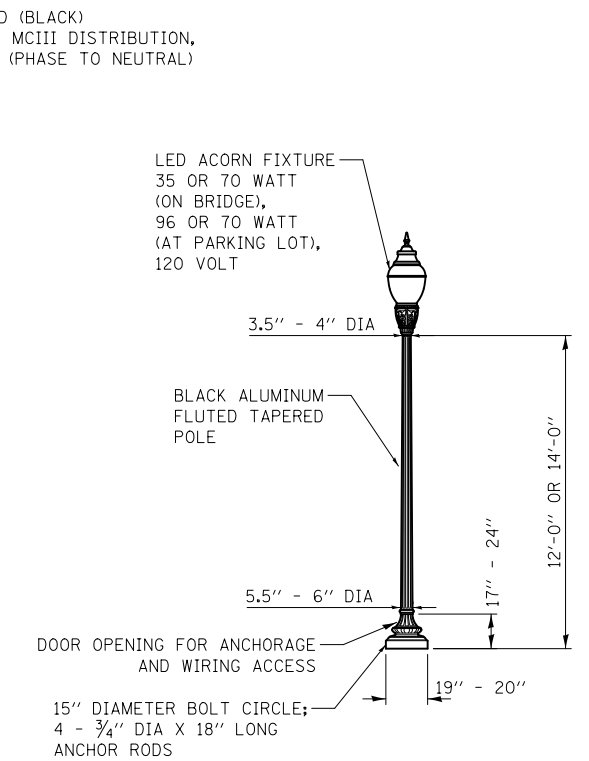


**LIGHTING UNIT TYPE 2  
(VILLAGE OF ALGONQUIN)**

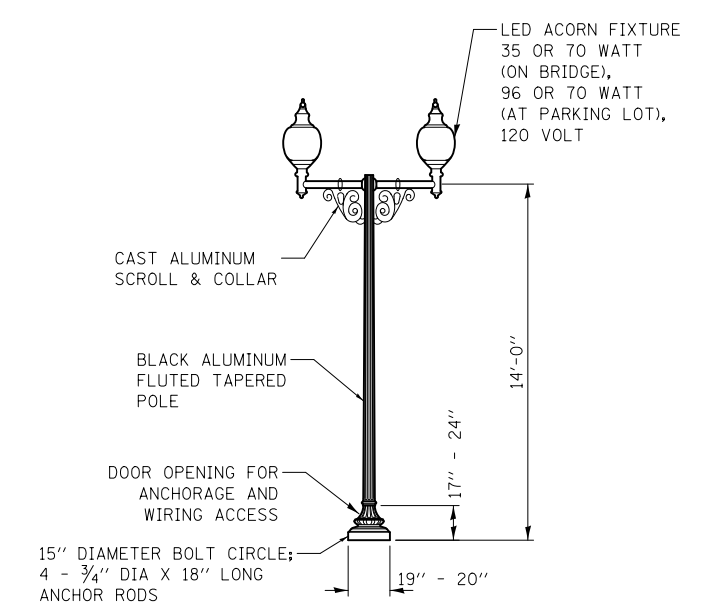


**LIGHTING UNIT TYPE 3  
(IDOT)**

DETAILS FOR LIGHTING UNIT TYPE 3, DAVIT LIGHT POLE 47.5 FT. MOUNTING HEIGHT, SHALL FOLLOW IDOT DISTRICT 1 BUREAU OF ELECTRICAL BE-410 STANDARD DETAIL EXCEPT THE POLE SHALL BE PAINTED BLACK POWDER COATED FINISH WITH A SPLIT BASE.



**LIGHTING UNIT TYPE 4  
(VILLAGE OF ALGONQUIN)**



**LIGHTING UNIT TYPE 5  
(VILLAGE OF ALGONQUIN)**