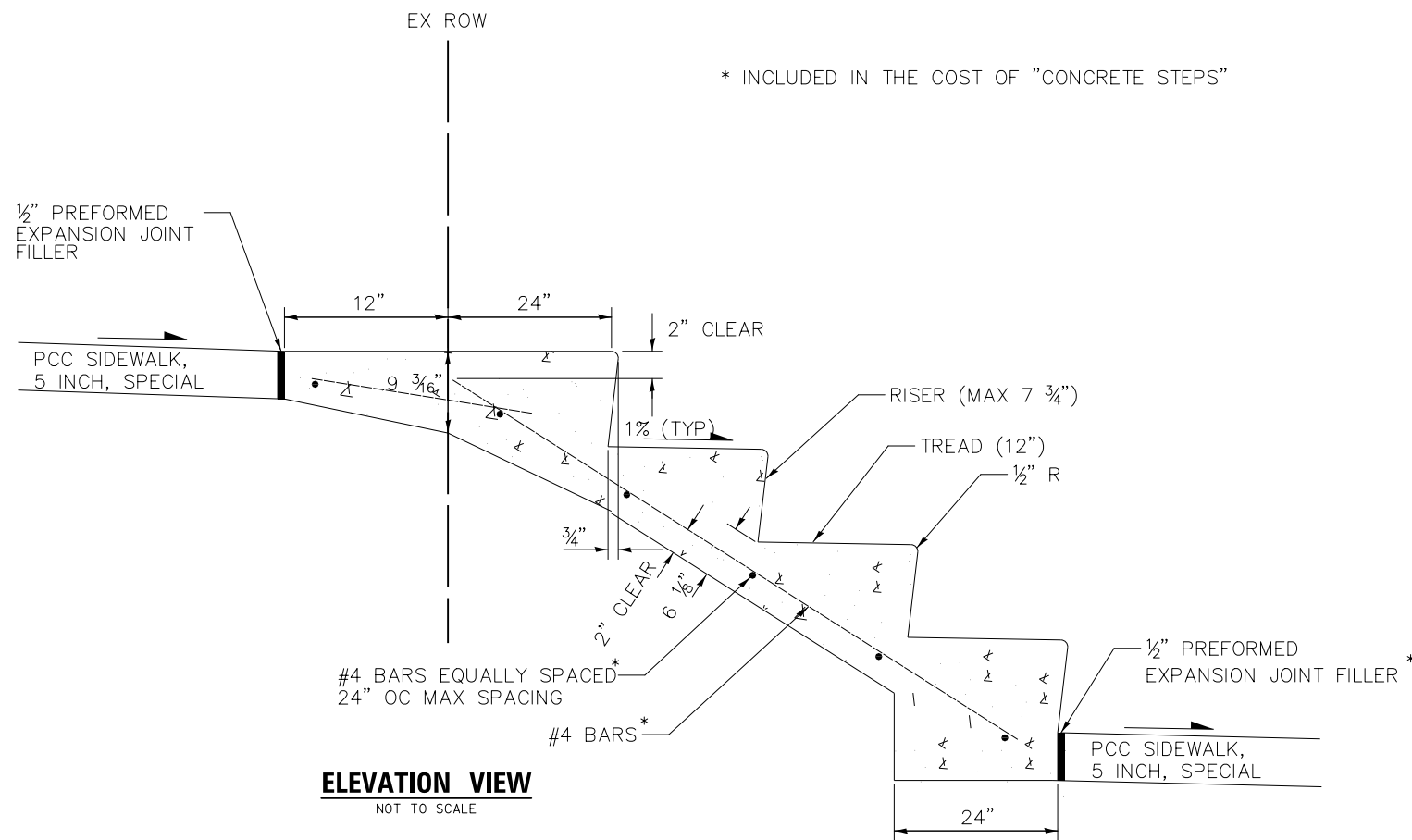


**PLAN VIEW**  
NOT TO SCALE

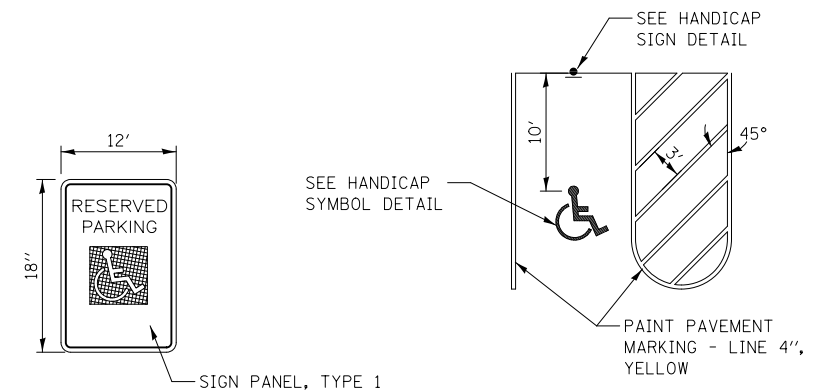
NOTES:  
1. CONCRETE SHALL BE CLASS SI WITH A TROWEL FINISH.

\* INCLUDED IN THE COST OF "CONCRETE STEPS"



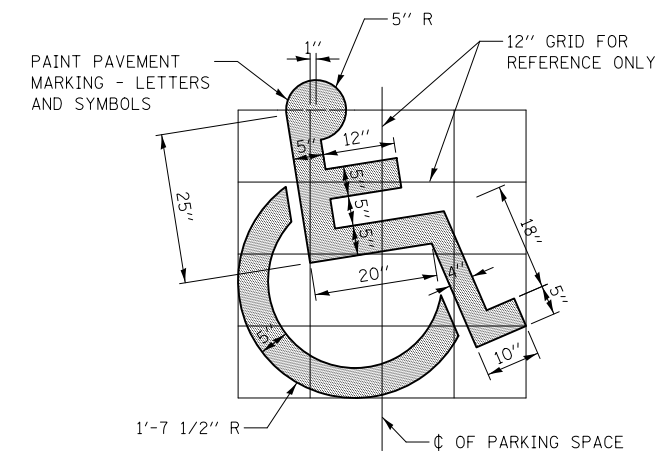
**ELEVATION VIEW**  
NOT TO SCALE

**CONCRETE STEPS**  
STA. 124+40

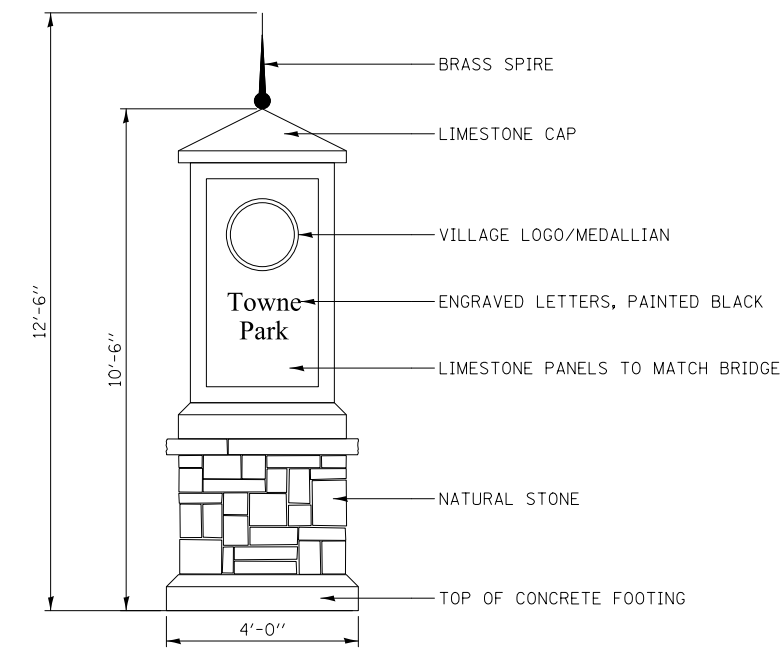


**HANDICAP SIGN DETAIL**  
NOT TO SCALE

**HANDICAP STALL DETAIL**  
NOT TO SCALE



**HANDICAP SYMBOL DETAIL**  
NOT TO SCALE



**TOWNE PARK ENTRANCE SIGN**  
NOT TO SCALE

FILE NAME =	USER NAME = okw	DESIGNED - CTB	REVISED -
...\\D160F72-sht-details-12-concrete steps.dgn		DRAWN - CTB	REVISED -
	PLOT SCALE = 20.0000' / in.	CHECKED - GAB	REVISED -
	PLOT DATE = 5/2/2012	DATE - 5/3/2012	REVISED -

STATE OF ILLINOIS  
DEPARTMENT OF TRANSPORTATION

DETAILS

SCALE: N.T.S. SHEET NO. 1 OF 1 SHEETS STA. TO STA.

O.R. RTE.	SECTION	COUNTY	TOTAL SHEETS	SHEET NO.
0003	18A-2	MCHENRY	825	356
CONTRACT NO. 60F72				
FED. ROAD DIST. NO. 1 ILLINOIS FED. AID PROJECT				