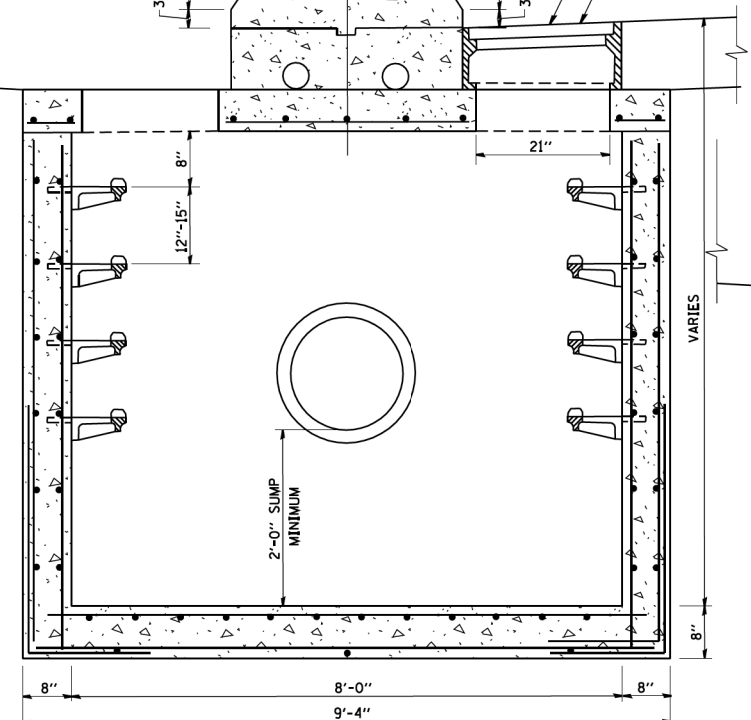


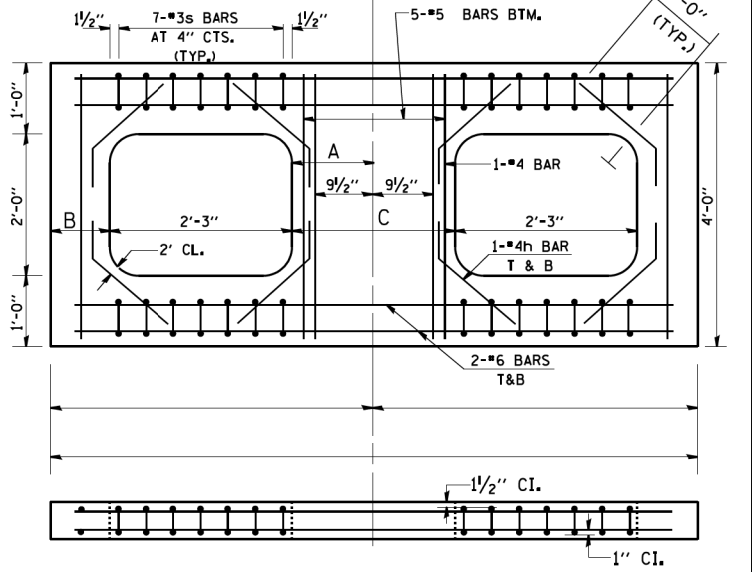
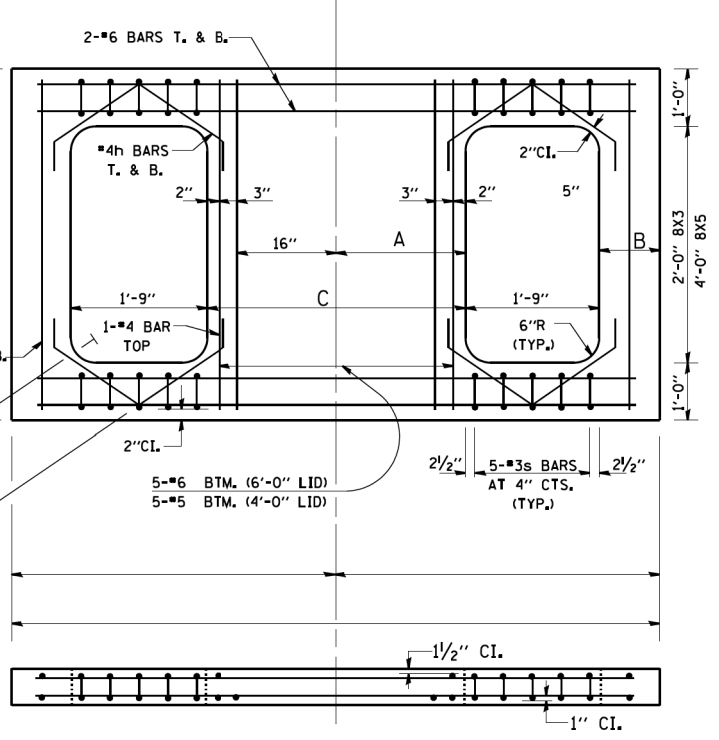
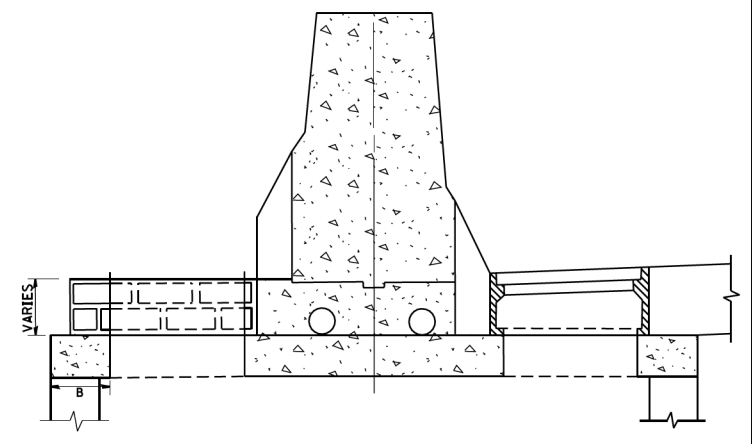
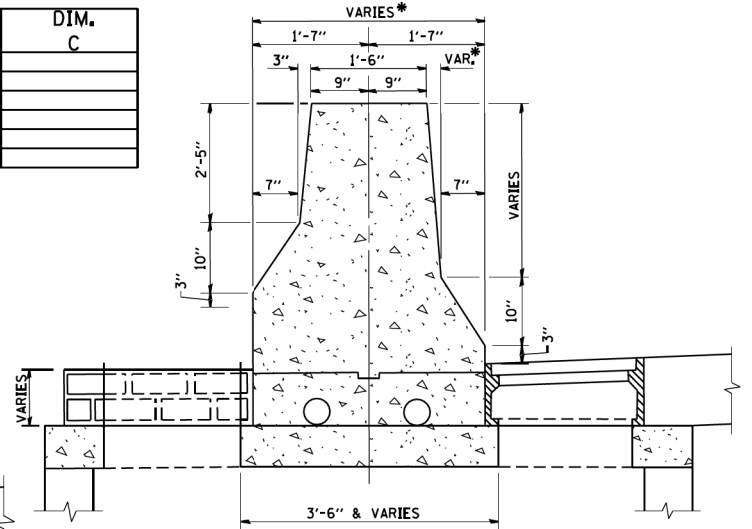
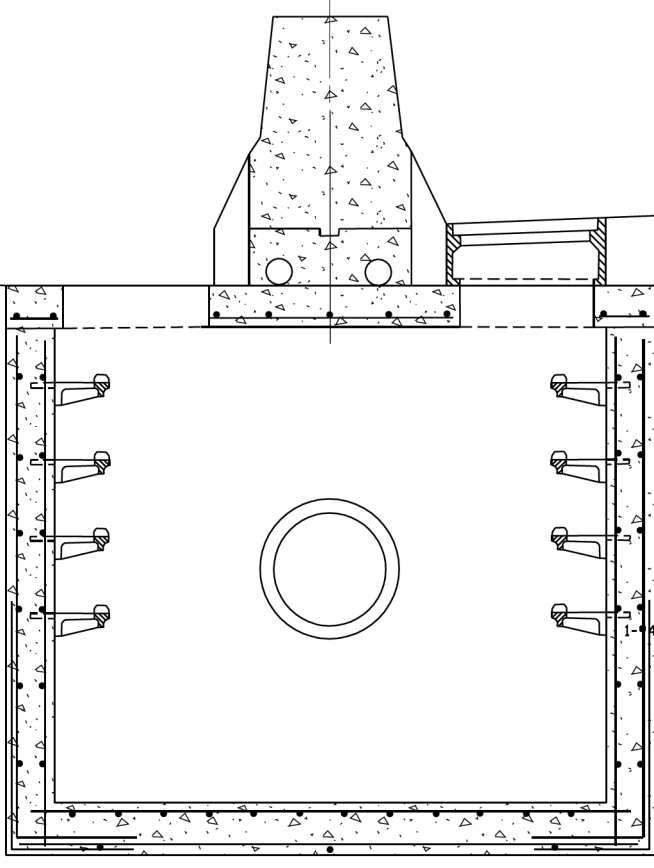
A PGL (FT)	DIM. A	DIM. B	DIM. C
1	1'-10 1/4"	1'-4 3/4"	
2	1'-11 1/2"	1'-3 1/2"	
3	2'-0 3/4"	1'-2 1/4"	
4	2'-2"	1'-1"	
5	2'-3 1/4"	0'-11 3/4"	
6	2'-4 1/2"	0'-10 1/2"	

CATCH BASIN 8X3

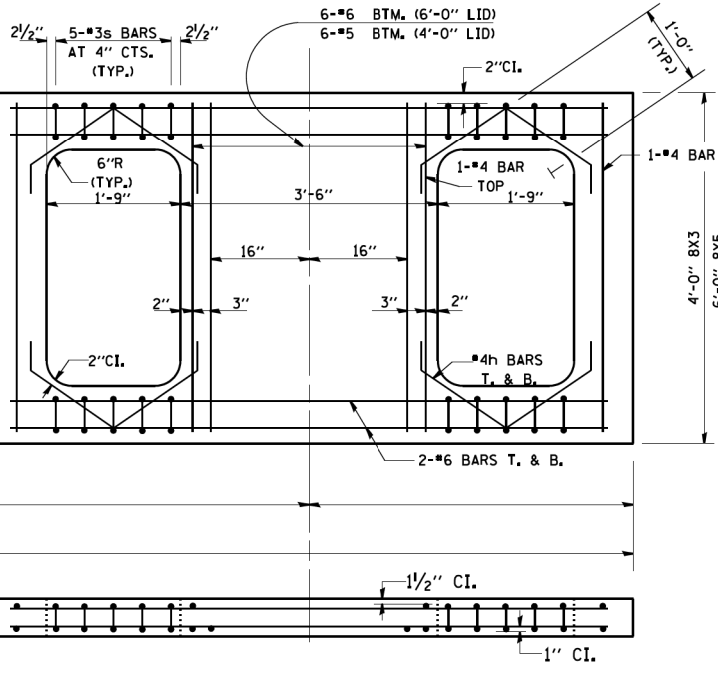
TYPE 22 FRAME & GRATE (T-2A)
TYPE 20 FRAME & GRATE (T-1A)



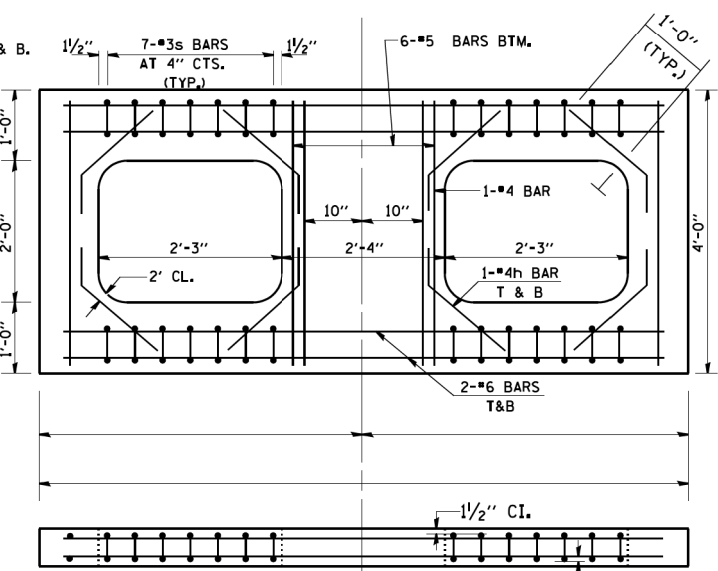
CATCH BASIN 8X5 AND 8X3



A PGL (FT)	DIM. A	DIM. B	DIM. C
1	1'-3 3/4"	1'-4 3/4"	
2	1'-4 1/2"	1'-3 1/2"	
3	2'-5 3/4"	1'-2 1/4"	
4	7'-2"	1'-1"	
5	2'-8 1/4"	0'-11 3/4"	
6	2'-9 1/2"	0'-10 1/2"	



REINFORCED LID FOR TYPE 20 & 22 FRAME & GRATE



REINFORCED LID FOR TYPE 21 FRAME & GRATE

NOTE: DRAINAGE STRUCTURES SHALL CONFORM TO I.D.O.T. STANDARD 2364 EXCEPT AS NOTED IN THIS DETAIL.

STA. AND OFFSET	TYPE OF LID	A PGL	DIM. A	DIM. B	DIM. C	STA. AND OFFSET	TYPE OF LID	A PGL	DIM. A	DIM. B	DIM. C

FILE NAME = W:\distata\22x34\bd31.dgn	USER NAME = geglant	DESIGNED -	REVISED -
		DRAWN -	REVISED -
		CHECKED -	REVISED -
		DATE - 10-18-02	REVISED -

STATE OF ILLINOIS DEPARTMENT OF TRANSPORTATION

SCALE: NONE SHEET NO. 1 OF 1 SHEETS STA. TO STA.

DRAINAGE STRUCTURES TYPE 1A, 2A, AND 3A TYPE 1A (SPECIAL), 2A (SPECIAL) AND 3A (SPECIAL)

F.A. RTE. 0003	SECTION 18A-2	COUNTY MCHENRY	TOTAL SHEETS 825	SHEET NO. 370
BD600-10		CONTRACT NO. 60F72	FED. ROAD DIST. NO. 1 ILLINOIS FED. AID PROJECT	